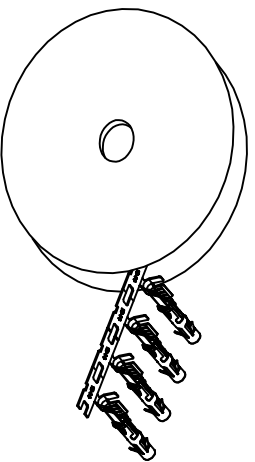


REVISIONS				
REV	ECO	DESCRIPTION	DATE	BY APPR
A1	-	RELEASED DRAWING	Jul-16-18	Flan Tommy

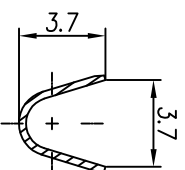


CONTACT ORIENTATION ON ROLL(3000PCS/COIL)

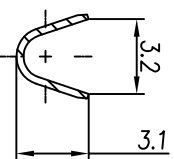
NOTES : (UNLESS OTHERWISE SPECIFIED)

1. MATERIAL :
  - 1.1. CONTACT BODY : COPPER ALLOY.
  - 1.2. OUTER SPRING : STAINLESS STEEL.
2. SPECIFICATIONS :
  - 2.1 CURRENT RATING : 13A MAX.
  - 2.2 TERMINATION TYPE : CRIMPING.
  - 2.3 WIRE RANGE : 14~16AWG.
  - 2.4 WIRE INSULATION DIA(MAX) :  $\phi$ 3.2mm.
3. RoHS COMPLIANT.
4. ALL DIMENSIONS ARE FOR REFERENCE USE ONLY.
5. AVAILABLE TOOLS :
  - 5.1 HAND CRIMPER : MFX-3954.
  - 5.2 CRIMP APPLICATOR : MFX-3957.
  - 5.3 EXTRACTION TOOL : QXRT16.

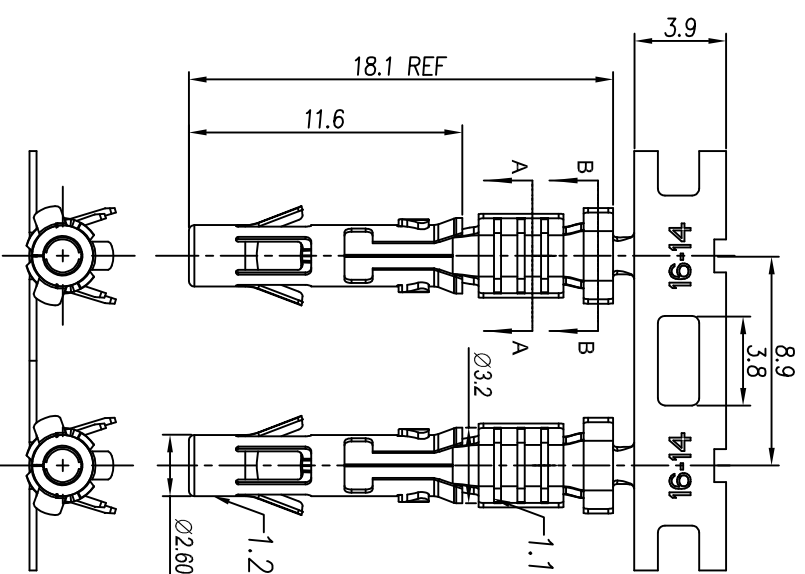
P/N	CONTACT PLATING(MATING AREA)
SS14M2T	TIN PLATING OVER NICKEL.
SS14M2N	NICKEL PLATING OVER COPPERIZE.
SS14M2F	GOLD FLASH PLATING OVER NICKEL.
SS14M2G5	5 $\mu$ "GOLD PLATING OVER NICKEL.
SS14M2G10	10 $\mu$ "GOLD PLATING OVER NICKEL.
SS14M2G15	15 $\mu$ "GOLD PLATING OVER NICKEL.
SS14M2G30	30 $\mu$ "GOLD PLATING OVER NICKEL.



SECTION A-A



SECTION B-B



QUANTITY	PART NUMBER	DESCRIPTION	ITEM

UNLESS OTHERWISE SPECIFIED		DRAWN		DATE	
1) All dimensions are in millimeters.	2) Tolerances are as follows:	Flan	Jul-16-18	Flan	Jul-16-18
1 PL DEC 20.00	1 Fraction 1/16"	CRIMPER: 10d	Jul-16-18	ENGINEER:	Jul-16-18
3 PL DEC 20.00	3 PL DEC 20.00	APPROVAL: Tommy	Jul-16-18	CUSTOMER:	Jul-16-18

MATERIAL SPECIFICATIONS:		PROCESS SPECIFICATIONS:		NEXT ASSY:	
MATERIAL SPECIFICATIONS:		PROCESS SPECIFICATIONS:		NEXT ASSY:	
MATERIAL SPECIFICATIONS:		PROCESS SPECIFICATIONS:		NEXT ASSY:	

**Amphenol**  
 Sine Systems - www.amphenol-sine.com  
 44724 Morley Drive  
 Clinton Township, MI 48036

ECO-MATE SOCKET CONTACT,  
 STAMPED, 14-16AWG, SIZE 16

SIZE: B TYPE: C- DWG NO: SS14M2XX REVISION: A1  
 SCALE: NONE SHEET: 1 OF: 1