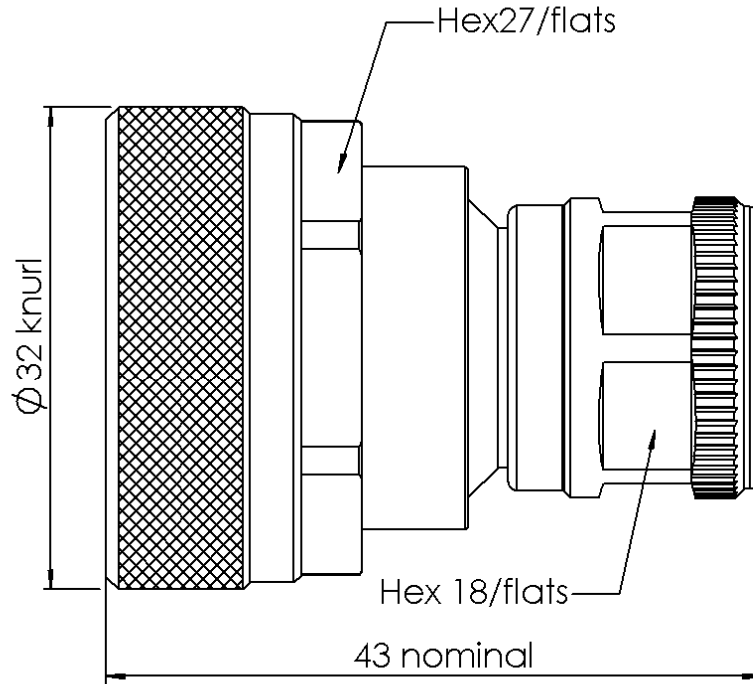


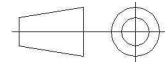
N MALE - 7/16 MALE STRAIGHT ADAPTER

R191.721.000

Series : **ADAPTER**



All dimensions are in mm.



COMPONENTS	MATERIALS	PLATING (µm)
BODY	BRASS	BBR OVER SILVER
CENTER CONTACT	BERYLLIUM COPPER	SILVER OVER COPPER
OUTER CONTACT	BRASS	SILVER OVER COPPER
INSULATOR	PTFE	
GASKET	SILICONE RUBBER	
OTHERS PARTS	BRASS	BBR
-	-	-
-	-	-

Issue : 1238 C

In the effort to improve our products, we reserve the rights to make changes judged to be necessary.



N MALE - 7/16 MALE STRAIGHT ADAPTER

R191.721.000

Series : **ADAPTER**

PACKAGING

SPECIFICATION

Standard	Unit	Other
1	-	Contact us

ELECTRICAL CHARACTERISTICS

ENVIRONMENTAL

Impedance	50	Ω
Frequency	0-7.5	GHz
VSWR	1.12 + 0,0000	x F(GHz) Maxi
Insertion loss	0.048	\sqrt{F} (GHz) dB Maxi
RF leakage	- (NA)	- F(GHz)) dB Maxi
Voltage rating	1400	Veff Maxi
Dielectric withstanding voltage	2500	Veff mini
Insulation resistance	5000	M Ω mini

Operating	-55/+155	$^{\circ}$ C
Hermetic seal	NA	Atm.cm3/s
Panel leakage	NA	

OTHER CHARACTERISTICS

VSWR:1.03 max at 0-3GHz
 PIM3<-120dBm under 2 carriers of +43dBm

MECHANICAL CHARACTERISTICS

Center contact retention		
Axial force – Mating end	68	N mini
Axial force – Opposite end	68	N mini
Torque	NA	N.cm mini
Recommended torque		
Mating	7-16	3000 N.cm
	N	130 N.cm
	-	0 N.cm
Panel nut	NA	N.cm
Mating life	500	Cycles mini
Weight	94,3000	g

Issue : **1238 C**

In the effort to improve our products, we reserve the rights to make changes judged to be necessary.

