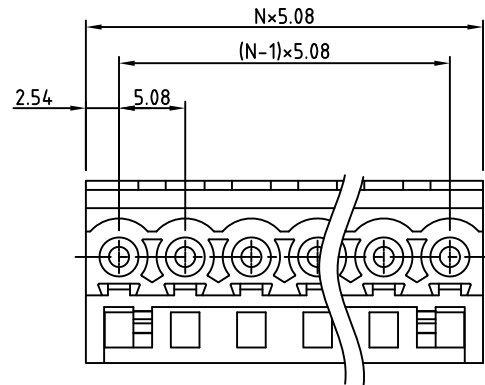


SIGN	DATE	DESCRIPTION	APPROVER
△	2009.01.21	AWG changed from 20-22 to 18-22AWG(Str/sol)	Lee
△	2009.01.21	CUL approval added	Lee




POLE	TOL
2 pole~6 pole	±0.05
7 pole~12 pole	±0.10
13 pole~18 pole	±0.20
19 pole~24 pole	±0.25

MATERIAL

- Terminal Body: Thermoplastic(UL94V-0)
- Terminal Lever: Thermoplastic(UL94V-0)
- Female contact: PhBz(CuSn) Tin plated

ELECTRICAL

- △ ● Voltage rating: 300V
- Current rating: 7A
- Wire range:
 - Solid wire(AWG): 18-22
 - Stranded wire(AWG): 18-22
- Wire strip length:
- △ ● Withstanding Voltage: 1.6KV
- Operating temperature: -40°C to +115°C
- Safety Approval: us

RoHS Compliant

E

E

D

D

C

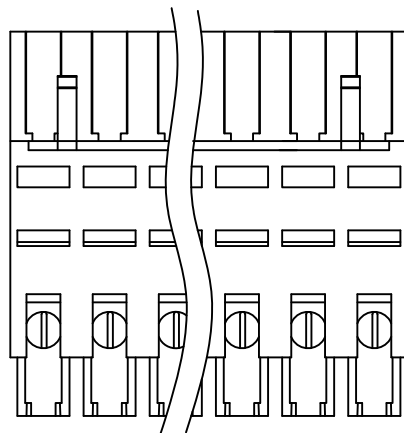
C

B

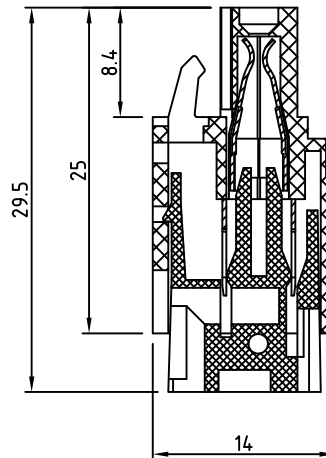
B

A

A



N=Number of poles



PART NUMBER:

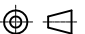
OSTHPXX5050

No. of Poles
02: 2 Poles
:
:
24: 24 Poles

COLOR
0: Black
5: Green (Standard)
6: Blue
8: Grey



THESE DRAWINGS AND SPECIFICATIONS ARE THE PROPERTY OF ON-SHORE TECHNOLOGY, INC. AND SHALL NOT BE REPRODUCED, COPIED OR USED IN ANY MANNER WITHOUT THE PRIOR WRITTEN CONSENT OF ON-SHORE TECHNOLOGY, INC.

TITLE		OSTHP 5.08mm Series without flange			
PART NO.	OSTHPXX5050	DWG NO.	OSTHPXX5050.DWG		
APPROVED	CHECKED	DESIGNED	DRAWN	CUST NO.	Tolerance
		Kind 2009.11.25	Marvin 2009.04.08		X. ±0.50
				UNIT: mm	X.X ±0.30
				SCALE: NONE	X.XX ±0.10
				SHEET: 01/01	X° ±1°
				REV.: H	

1

2

3

4

5

6

7

1

2

3

4

5

6

7