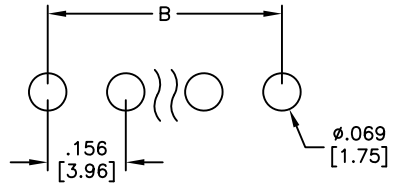
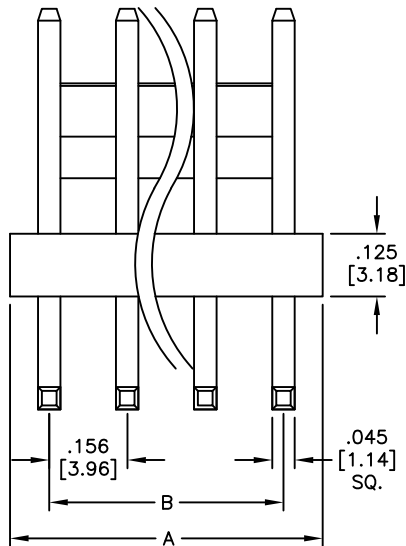
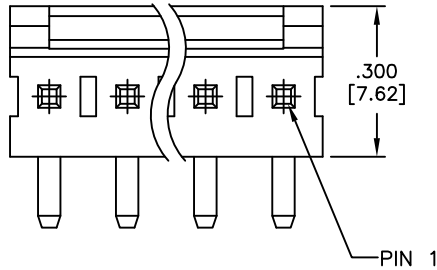
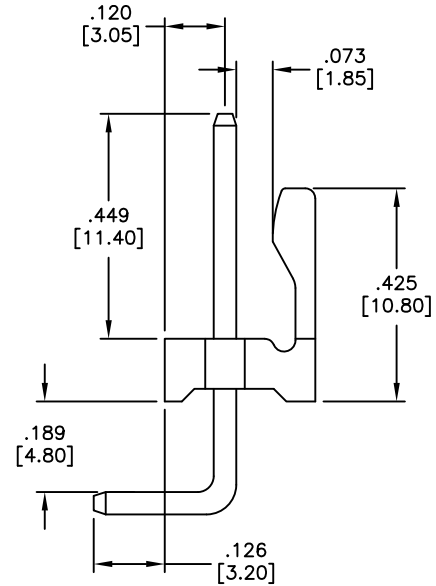


APPROVED: _____
 DATE: _____ TITLE: _____

Rev	AWO #	Description	Date	Appr
-		RELEASED	6/18/10	
A		ECN	12/8/10	
B		REVISED DIM.	2/17/14	AY/MY
C		REVISED SPEC.	2/24/20	AY/KL



RECOMMENDED PCB LAYOUT



Positions: 2 thru 20
 A = .156 [3.96] x No. of Positions
 B = .156 [3.96] x No. of Spaces

SPECIFICATIONS:
 Material:
 Insulator: Ny66, rated UL 94V-0
 Insulator color: White
 contact: Brass
 Plating:
 Tin over Nickel underplate overall
 Electrical:
 Current rating: 7.0 Amp
 Contact Resistance: 20 mohms max.
 Insulation resistance: 1,000 Mohms min
 Dielectric withstanding voltage: 1,000 VAC/DC
 Temperature Rating:
 Operating temperature: -40°C to +105°C
 Environmental:
 Lead free, RoHS compliant



UNLESS OTHERWISE SPECIFIED ALL DIMENSIONS ARE INCHES [MM] TOLERANCES: EXCEPT AS NOTED			
INCHES		HOLES	
.X	± .10	∅X	± .10
.XX	± .020	∅XX	± .015
.XXX	± .015	∅XXX	± .010

ADAM
TECH
INTERCONNECTS

909 Rahway Avenue,
 Union, NJ 07083
 Phone: 908-687-5000
 Fax: 908-687-5710

APPROVALS		DATE
DRAWN	DY	6/18/10
CHECKED		
APPROVED		

TITLE .156 [3.96] HEADER, RIGHT ANGLE		
SIZE X	PART NO. LHD-XX-TRA-V0	REV. C
REF: S00019C	SCALE: NTS	SHEET 1 OF 1