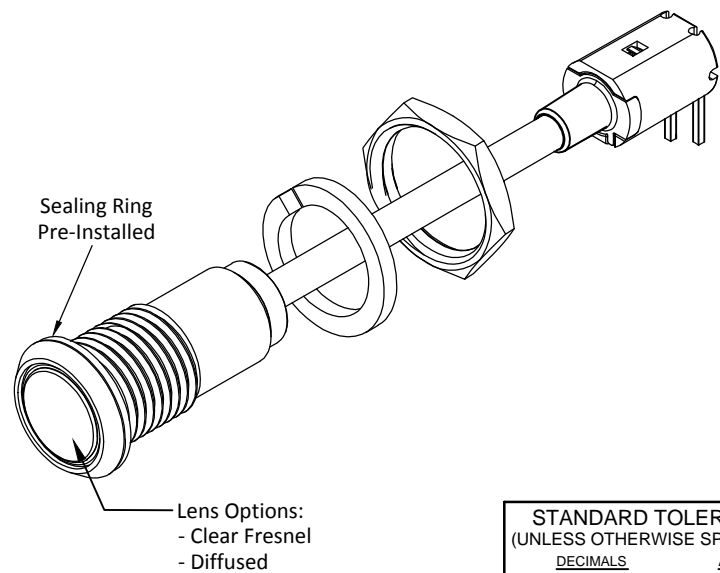
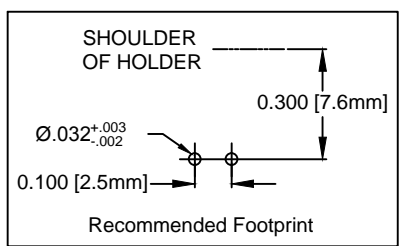
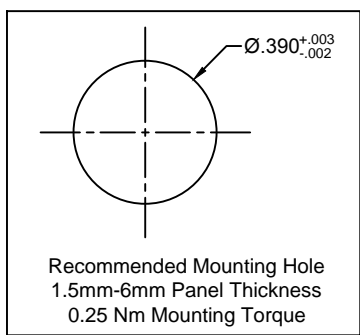
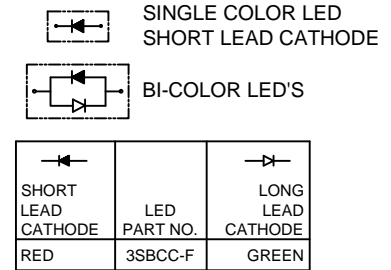
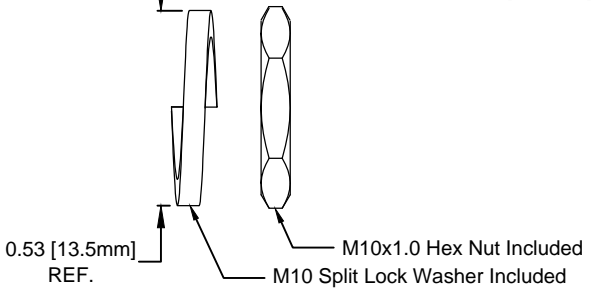
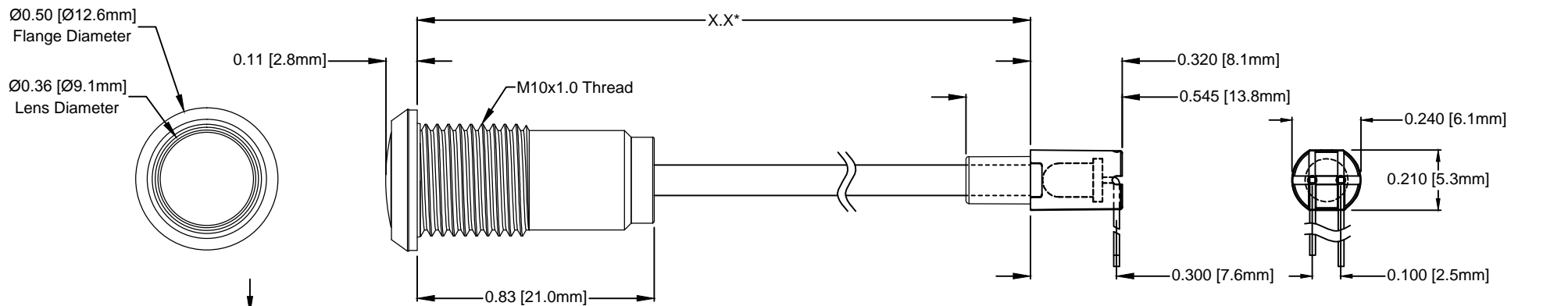


REV.	DESCRIPTION	DATE	APPROVED
A	Engineering Release	05/12/17	J. C.
B	Updated LED Tables	08/14/18	M. C.

*Length "X.X"	Tolerance
2.0" ~ 16.0"	±0.05"
16.1" ~ 40.0"	±0.15"
40.1" ~ 80.0"	±0.30"
80.1" ~ 500.0"	±0.5%



Part Number Configuration
FR3-6.5-UR-F9PX67PR

- Lens Options:
Z – Clear Fresnel
D – Diffused
- LED Color, See Page 2
- Length in 0.1" Increments Only

- NOTES:
1. SEALED TO IP67 RATING
 2. ROHS COMPLIANT
 3. MOUNTING HARDWARE AND ADAPTER SHIPPED NON-ASSEMBLED
 4. MINIMUM BEND RADIUS OF FLEXIBLE LIGHT PIPE: 1.06" [27mm]

STANDARD TOLERANCE (UNLESS OTHERWISE SPECIFIED)		 BIVAR [®] 4 THOMAS, IRVINE, CA. 92618 TEL: (949) 951-8808 FAX: (949) 951-3974			
DECIMALS	ANGULAR				
.X ± .1	X° ± 1°	TITLE: IP67 RATED PANEL MOUNT FLP INDICATOR, RIGHT ANGLE			
.XX ± .02					
.XXX ± .010		DESIGNED: TD. NGUYEN	DATE: 04/30/17	PART NO: FR3-X.X-XXX-F9PX67PR	REVISION: B
DESIGNED: D. GILBREATH	DATE: 08/14/18	CAGE CODE: 32559	SCALE: NONE SHEET # 1 OF 2 CAD GENERATED DOCUMENT, DO NOT MEASURE DRAWING		
CHECKED: TD. NGUYEN	DATE: 08/14/18	SCALE: NONE			

FLEXIBLE LP ASSY Part No.	LED Part No.	Peak Wavelength	Emitted Color	Optical Data @ 20mA		
				Vf (V)		LED Iv (mcd)
		λ_p (nm)		TYP	MAX	TYP
SINGLE COLOR LED ASSEMBLIES (20mA)						
FR3-X.X-UB-F9PX67PR	3UBWC-0.6K-F	470	BLUE	4.0	4.5	400
FR3-X.X-UG-F9PX67PR	3UGC-F	570	GREEN	2.1	2.4	200
FR3-X.X-UY-F9PX67PR	3UYC-F	590	YELLOW	2.0	2.4	300
FR3-X.X-UR-F9PX67PR	3URC-F	645	RED	1.7	2.4	200
BI-COLOR LED ASSEMBLIES (20mA)						
FR3-X.X-SRG-F9PX67PR	3SBCC-F	645	RED	1.7	2.4	100
		568	GREEN	2.1	2.8	60

VISIT WWW.BIVAR.COM FOR CURRENT LED DATASHEETS
LED DETAILS ON DATASHEETS TAKE PRECEDENCE OVER DETAILS SHOWN HERE

ABSOLUTE MAXIMUM RATINGS (Ta=25°C)

REVERSE VOLTAGE _____ 5V
 REVERSE CURRENT _____ 100 μ A
 OPERATING TEMPERATURE RANGE _____ -25°C ~ +85°C
 STORAGE TEMPERATURE _____ -30°C ~ +100°C
 LEAD SOLDERING TEMPERATURE(1/16" FROM BODY) _____ 260°C FOR 5 SECONDS