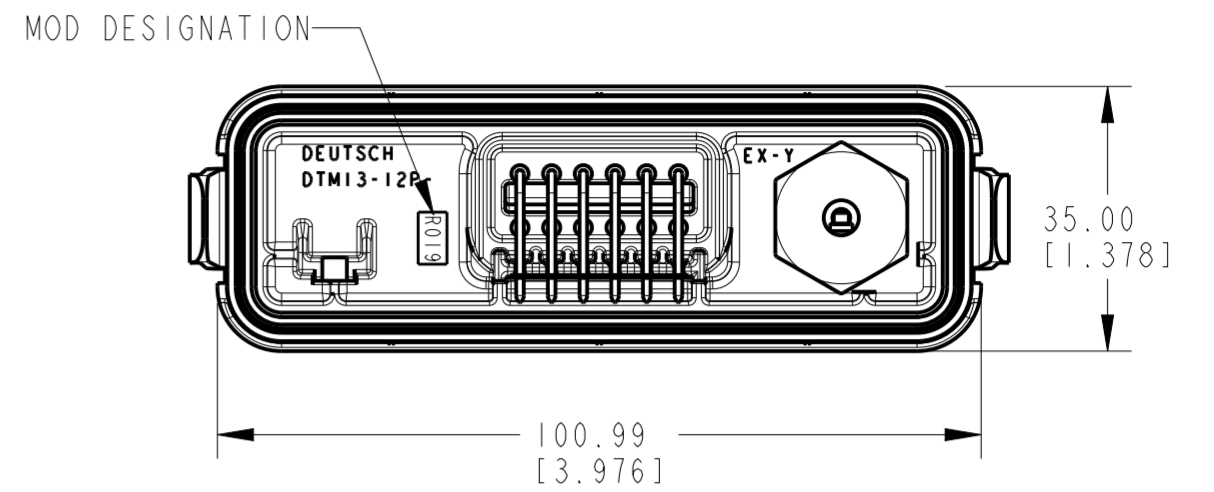
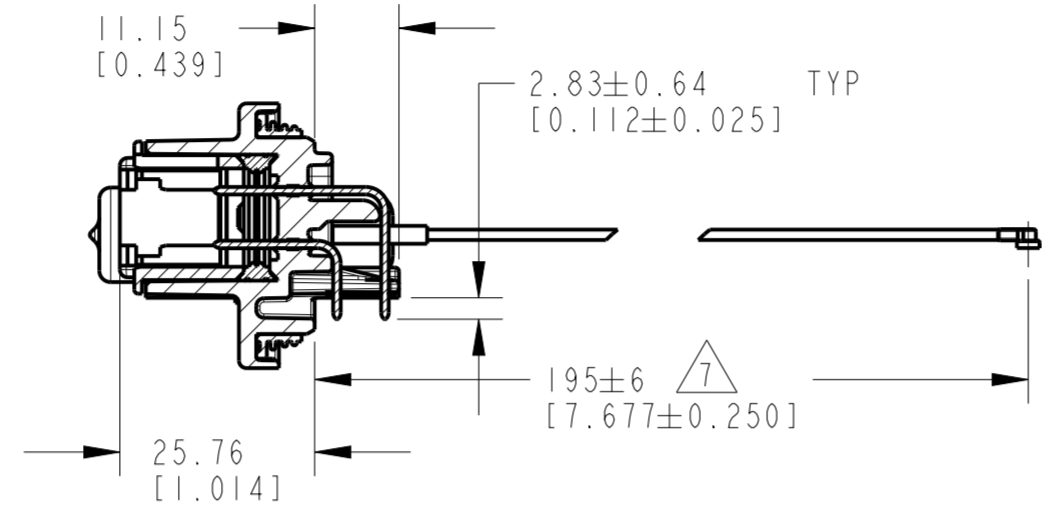
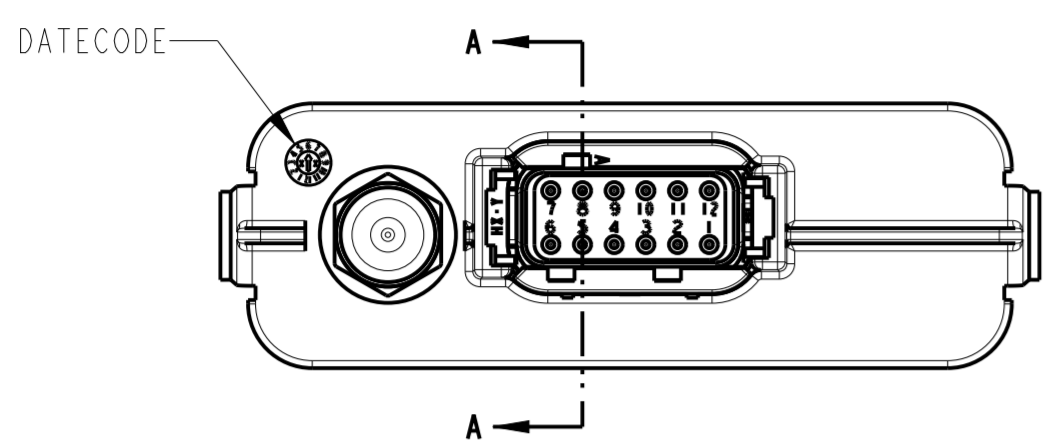
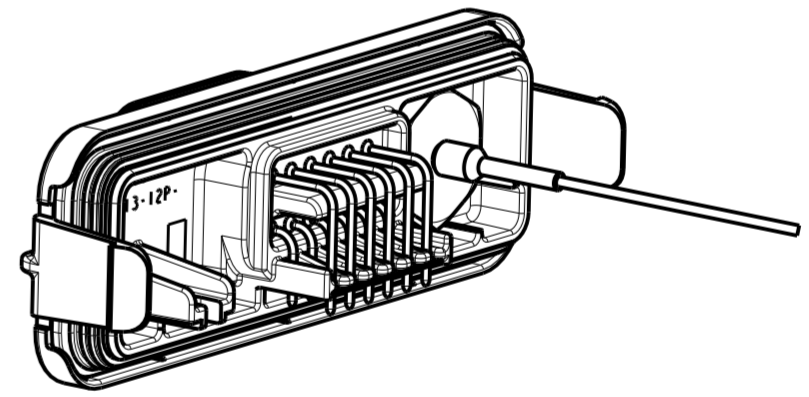
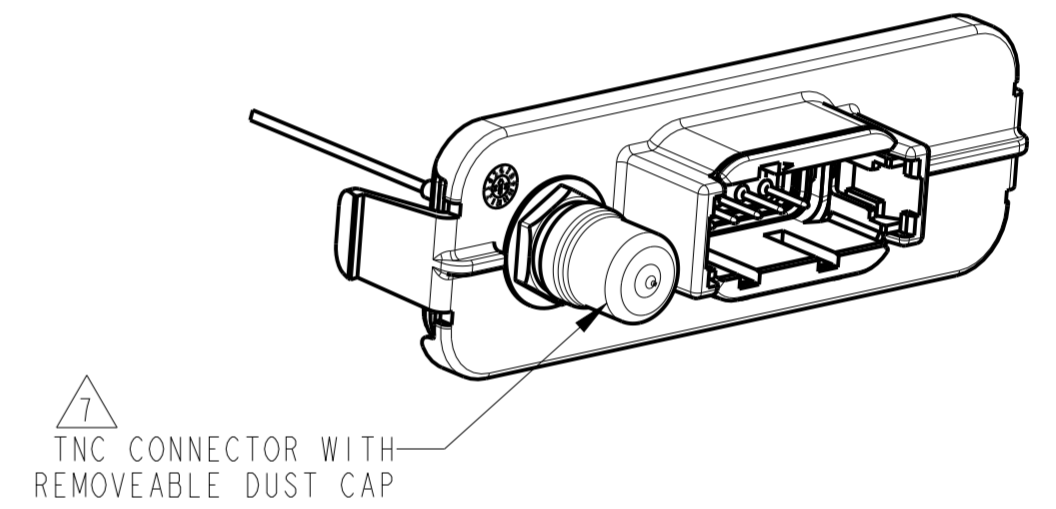
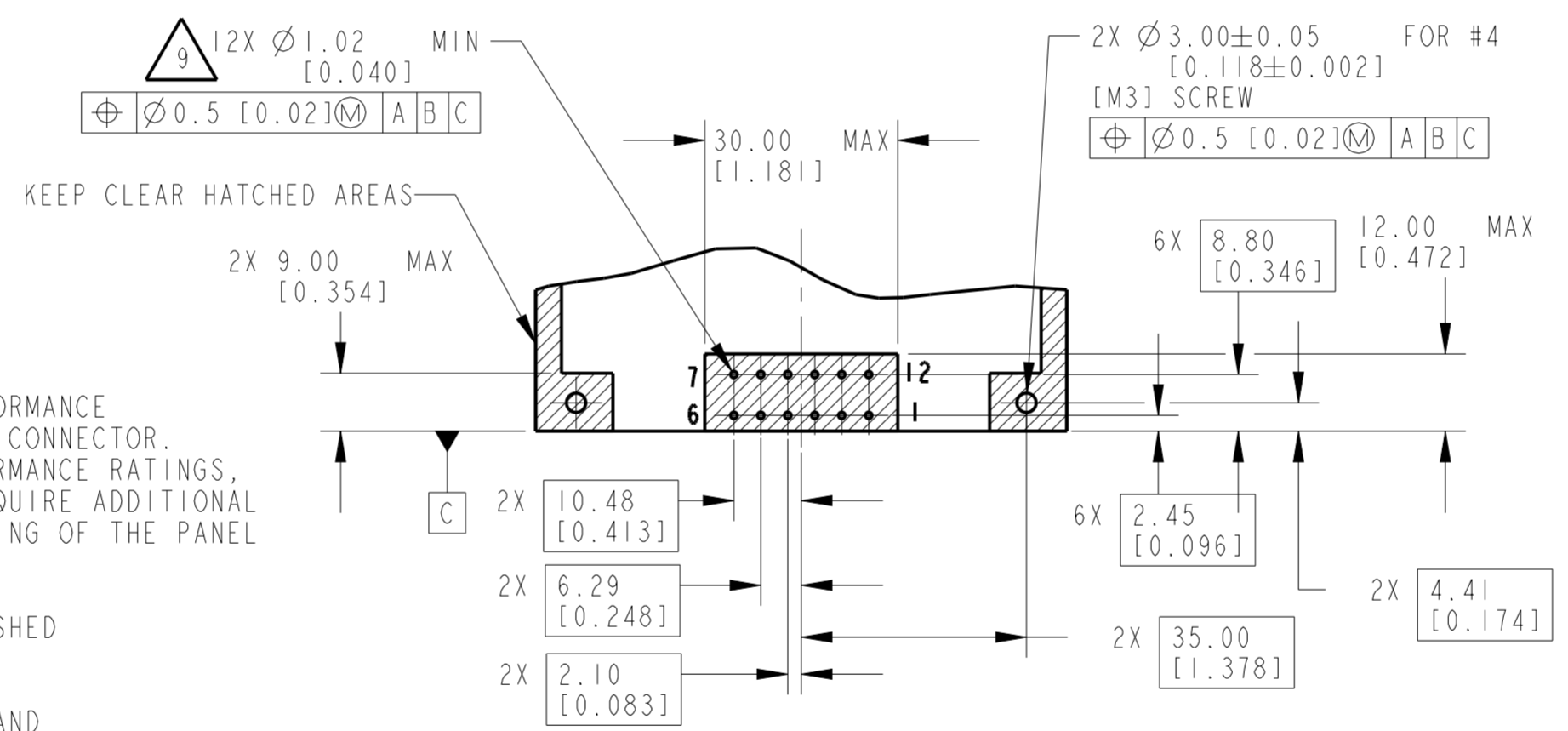
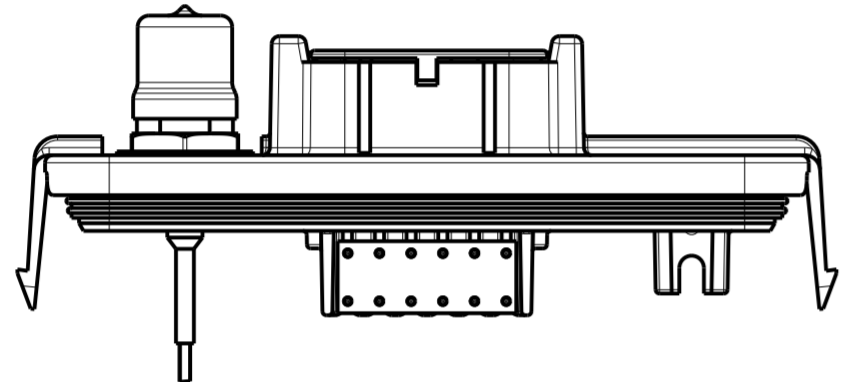


REVISIONS				
P	LTR	DESCRIPTION	DATE	APVD
A1		REVISED PER ECR-20-001935	11FEB2020	MK IG
A2		REVISED PER ECR-20-009832	09JUL2020	DB IG
A3		REVISED PER PCN E-20-010705	28JUL2020	DB IG
A4		REVISED PER PCN E-21-000918	22JAN2021	DB IG



SECTION A-A



3D VIEWS

TCPN	ALIAS PART NUMBER
2333580-1	DTM13-12PA-R019
2333580-2	DTM13-12PB-R019
2333580-3	DTM13-12PC-R019
2333580-4	DTM13-12PD-R019

10. SEE PRODUCT SPEC 108-151090 FOR PERFORMANCE RATINGS. PERFORMANCE RATINGS MAY BE REDUCED WITH REPECT TO THE INSTALLED TNC CONNECTOR. THE TNC PANEL NUT HAS BEEN TORQUED TO MEET INTERNAL PERFORMANCE RATINGS, HOWEVER CUSTOMER SPECIFIC APPLICATION REQUIREMENTS MAY REQUIRE ADDITIONAL PROCESSING AND/OR COMPONENTS TO PREVENT UNINTENDED LOOSENING OF THE PANEL NUT AND REDUCED SEAL PERFORMANCE.

9. MINIMUM RECOMMENDED HOLE SIZE. CUSTOMER TO DETERMINE FINISHED HOLE SIZE BASED ON SOLDER PROCESS, THRU-HOLE PLATING, ETC.

8. SEE DRAWING EEC-325X4A/B FOR FULL PCB SIZE SPECIFICATION AND COMPONENT HEIGHT RESTRICTIONS.

7. TNC CONNECTOR INCLUDES 195±6 mm [7.677±.250 in] CABLE AND UMCC CONNECTOR APPLIED TO END OF CABLE FOR CONNECTION TO PCB. SEE DRAWING 2016456 FOR FULL TNC CONNECTOR SPECIFICATIONS. TNC CONNECTOR IS SUPPLIED WITH REMOVEABLE DUST CAP.

6. SEE SHEET 2 FOR OTHER KEY ARRANGEMENTS.

5. THIS RECEPTACLE IS USED WITH EEC-325X4(A OR B) ENCLOSURE. SEE ENVELOPE DRAWING EEC-325X4A/EEC-325X4B FOR ENCLOSURE INFORMATION.

4. THIS RECEPTACLE MATES WITH DTM06-12S\*-\*\*\*\* PLUG. (\* = A,B,C,D KEYS; \*\*\*\* = ALL MODIFICATIONS).

3. MATERIAL: HOUSING: PA46 GF30 BLACK; SEALS: SILICONE RUBBER; CONTACTS: COPPER ALLOY.

2. CONTACT PLATING: MATING SIDE: NICKEL; PCB SIDE: TIN.

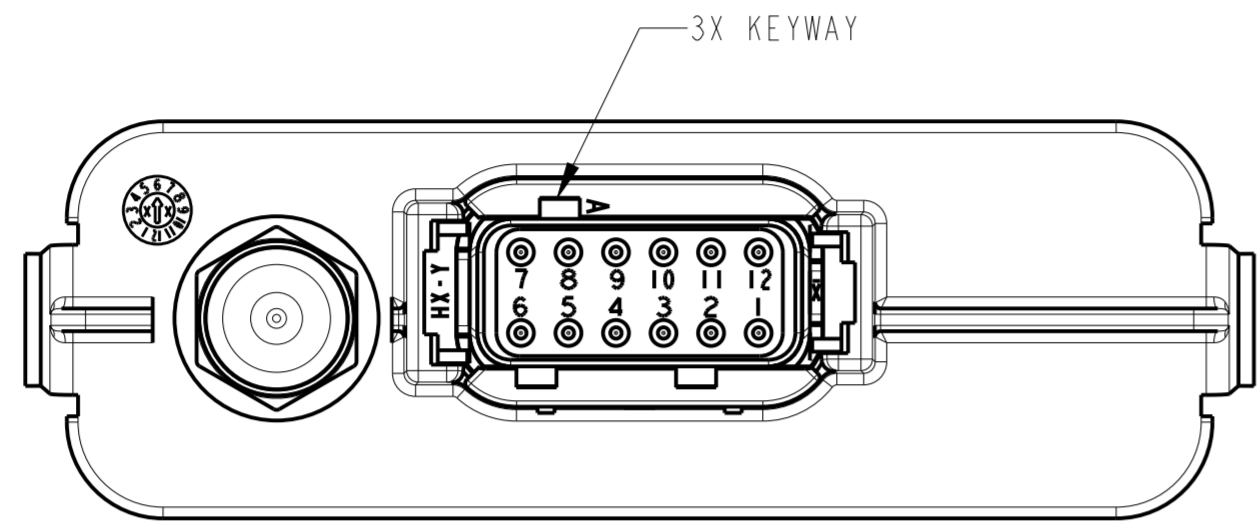
1. DIMENSIONS ARE IN MILLIMETERS [IN].

NOTES: UNLESS OTHERWISE SPECIFIED

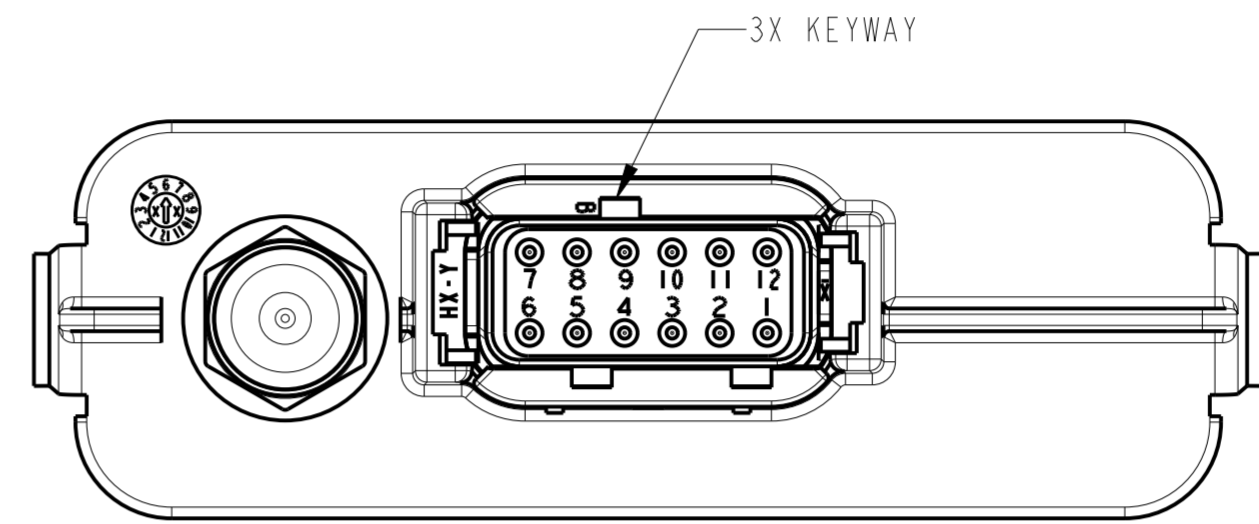
8 PCB FOOTPRINT AND KEEP CLEAR AREAS

THIS DRAWING IS A CONTROLLED DOCUMENT.		DWN K. McKEE 23MAR2018	TE Connectivity	
DIMENSIONS: mm [in]		CHK K. McKEE 20AUG2018		
TOLERANCES UNLESS OTHERWISE SPECIFIED:		APVD D. MEYER 20AUG2018	NAME RECEPTACLE HEADER 12 POS, #20 SIZE CONTACT R019 MOD, DTM SERIES	
0 PLC ±		PRODUCT SPEC	SIZE CAGE CODE DRAWING NO	
1 PLC ±		APPLICATION SPEC	RESTRICTED TO	
2 PLC ±0.25 [0.010]		WEIGHT 63.2 g	A2 4AFU8 C=DTM13-12PX-R019	
3 PLC ±		CUSTOMER DRAWING	SCALE 1:1 SHEET 1 OF 2 REV A4	
4 PLC ±				
ANGLES ±0°30'0				
FINISH				

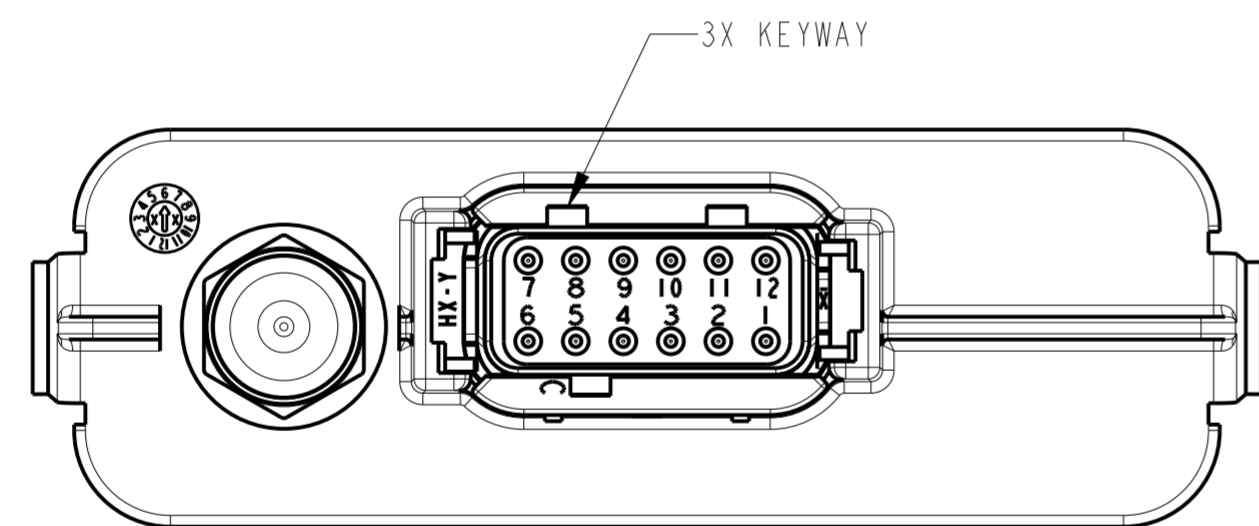
REVISIONS				
P	LTR	DESCRIPTION	DATE	APVD
-		SEE SHEET 1	-	-



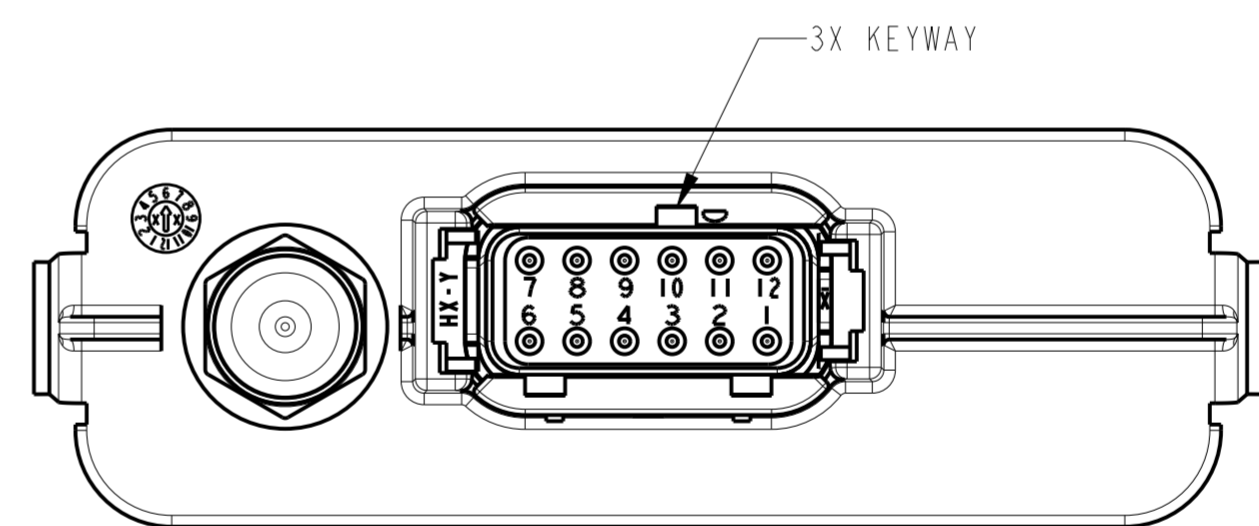
DTM13-12PA-R019  
 KEY -A-  
 SLEEVE COLOR: GREY



DTM13-12PB-R019  
 KEY -B-  
 SLEEVE COLOR: BLACK



DTM13-12PC-R019  
 KEY -C-  
 SLEEVE COLOR: GREEN



DTM13-12PD-R019  
 KEY -D-  
 SLEEVE COLOR: BROWN

THIS DRAWING IS A CONTROLLED DOCUMENT.		DWN K. McKEE 23MAR2018	 TE Connectivity	NAME RECEPTACLE HEADER 12 POS, #20 SIZE CONTACT R019 MOD, DTM SERIES		
DIMENSIONS: mm [in]		CHK K. McKEE 20AUG2018		SIZE	CAGE CODE	DRAWING NO
TOLERANCES UNLESS OTHERWISE SPECIFIED: 0 PLC ± 1 PLC ± 2 PLC ±0.25 [.010] 3 PLC ± 4 PLC ± ANGLES ±0°30'0" FINISH		APVD D. MEYER 20AUG2018		A2	4AFU8	DTM13-12PX-R019
MATERIAL 3		PRODUCT SPEC 10		WEIGHT 63.2 g	RESTRICTED TO	-
CUSTOMER DRAWING			SCALE 1:1	SHEET 2 OF 2	REV A4	