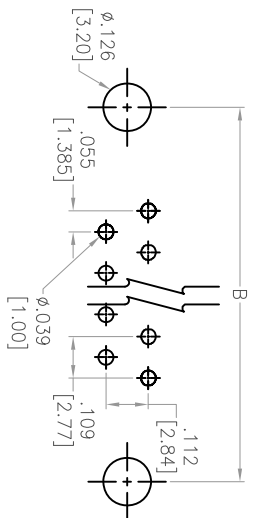
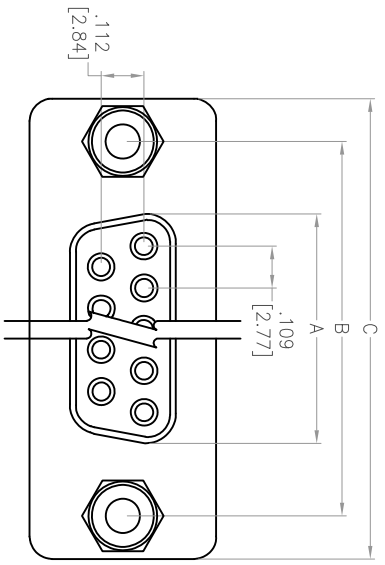
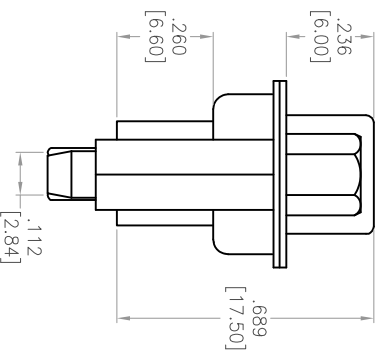
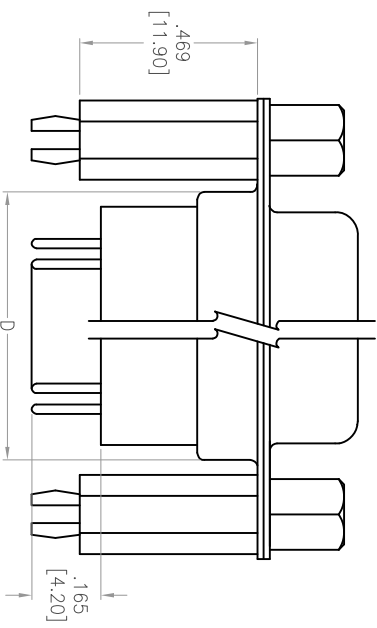


Rev	AWO #	Description	Date	Appr
-		RELEASED	9/19/13	

APPROVED: _____
 DATE: _____ TITLE: _____



RECOMMENDED PCB LAYOUT



DXXX	NO. OF CONTACTS	DIMENSIONS			
		A	B	C	D
DE09	9	.642 [16.30]	.984 [25.00]	1.213 [30.80]	.756 [19.20]
DA15	15	.969 [24.60]	1.311 [33.30]	1.543 [39.20]	1.091 [27.70]
DB25	25	1.508 [38.30]	1.854 [47.10]	2.091 [53.10]	1.618 [41.10]
DC37	37	2.157 [54.80]	2.500 [63.50]	2.732 [69.40]	2.256 [57.30]

ADAM TECH

909 Rahway Avenue, Union, NJ 07083
 Phone: 908-687-5000 Fax: 908-687-5710

TITLE: D-SUB SOCKET, HIGH PROFILE
 RIVETED #4-40 STANDOFFS/WBOARDLOCKS

SPECIFICATIONS:
 Material: Insulator: Thermoplastic, rated UL 94V-0
 Insulator color: Black
 Contacts: Copper Alloy
 Shell: Steel
 Hardware: Copper alloy
 Plating: Gold flash over Nickel underplate overall
 Electrical: Operating voltage: 250 VAC max
 Current rating: 3 Amps max
 Contact resistance: 15 mohms max
 Insulation resistance: 3,000 Mohms min
 Dielectric withstanding voltage: 1,000 VAC for 1 minute
 Temperature Rating: Operating temperature: -55°C to +105°C
 Environmental: Lead free, RoHS compliant

UNLESS OTHERWISE SPECIFIED ALL DIMENSIONS ARE INCHES [MM] TOLERANCES: EXCEPT AS NOTED		DRAWN		TITLE	
.X	± .10	ØX	± .10	DATE	
.XX	± .020	ØXXX	± .015	APPROVALS	
.XXX	± .015	ØXXXX	± .010	DATE	
CHECKED		SS		9/19/13	
APPROVED		SS		9/19/13	
SIZE	PART NO.	SIZE	PART NO.	REV.	
X	DXXX-SE-1-BL-JS	X	DXXX-SE-1-BL-JS	-	
REF:	S00013T	SCALE:	NTS	SHEET	1 OF 1

