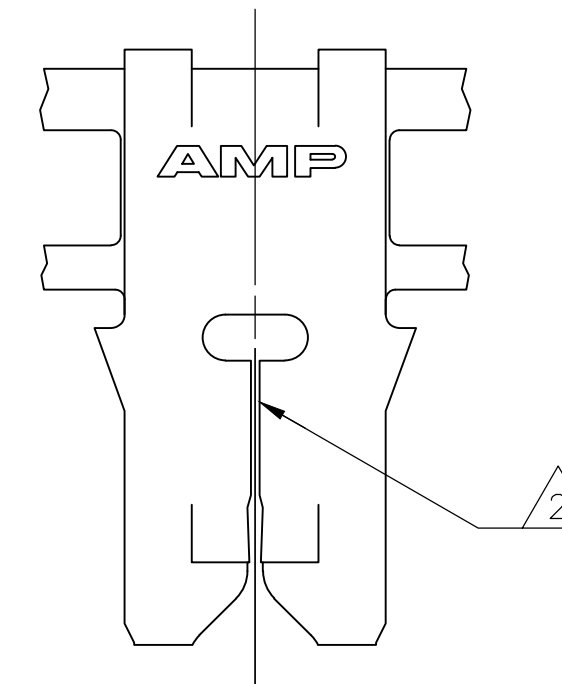
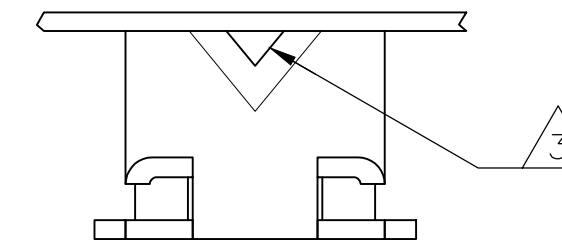
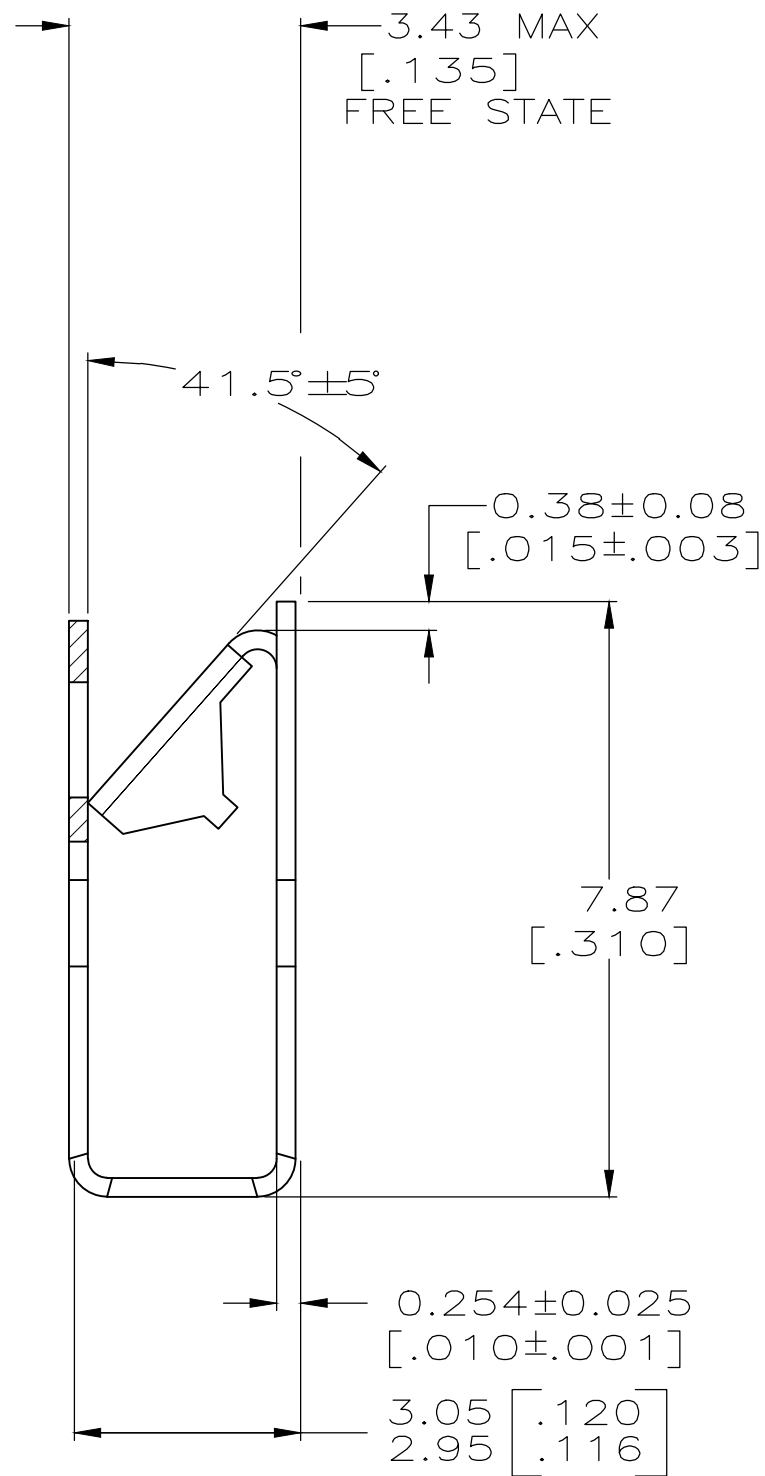
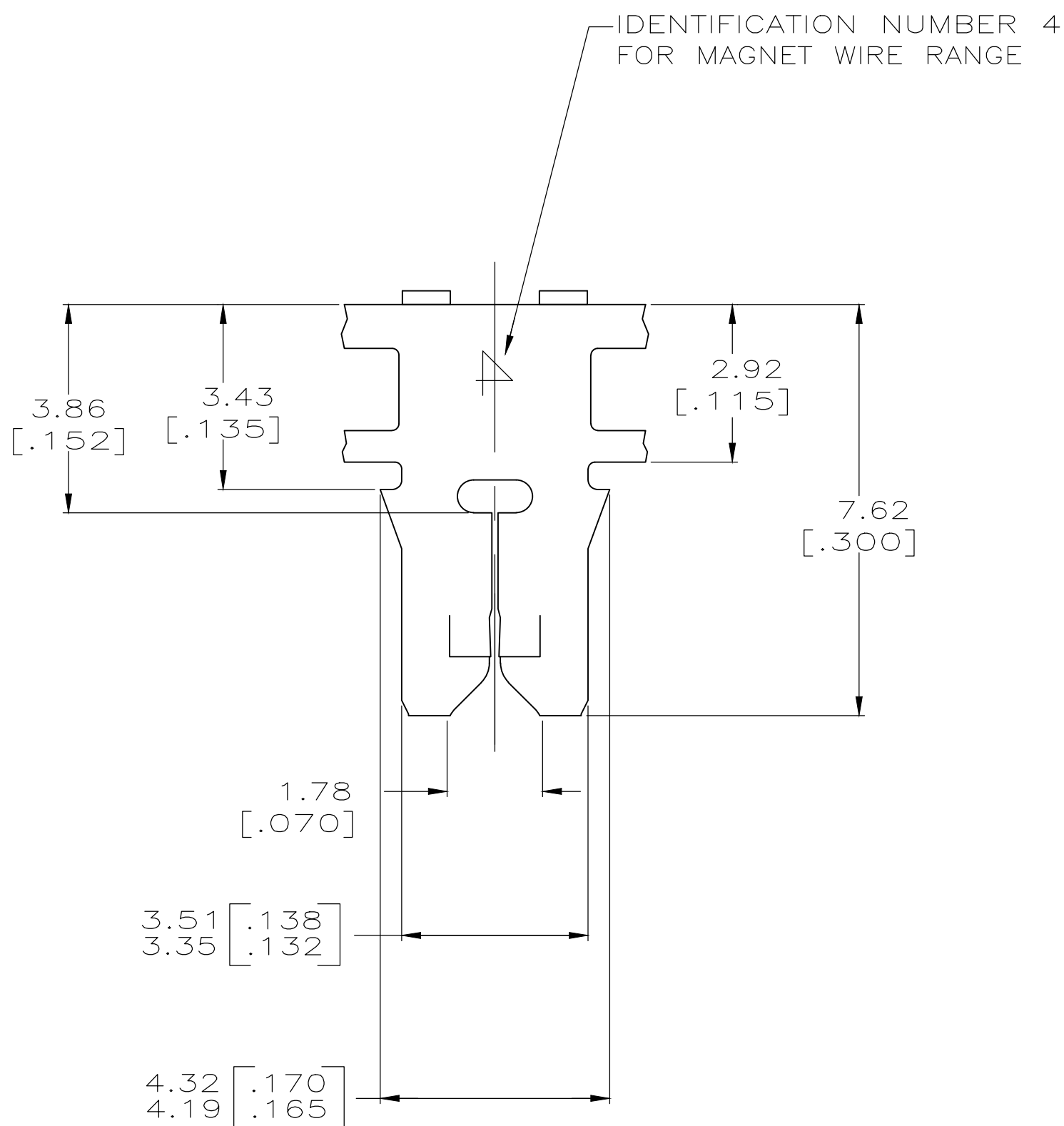


THIS DRAWING IS UNPUBLISHED. RELEASED FOR PUBLICATION
 © COPYRIGHT - By - ALL RIGHTS RESERVED.

REVISIONS				
P	LTR	DESCRIPTION	DATE	APVD
AA		REVISED PER ECR-19-015400	14OCT2019	PC SE

- 1 CONTINUOUS STRIP ON REELS WITH TERMINALS LOCATED ON 5.59 ± 0.08 [$.220 \pm .003$] CENTERS.
- 2 SLOT ACCEPTS $0.18-0.23\text{mm}$ [#33-#31] AWG COPPER MAGNET WIRE. 2 WIRES OF THE SAME SIZE PER SLOT.
- 3 POKE-IN ACCEPTS A $0.50-0.90\text{mm}^2$ [#20-#18] AWG SOLID OR FUSED STRANDED LEAD WIRE.
- 4 SPECIAL REEL QUANTITY - SPAIN PRODUCTION ONLY.



PAPER SPLICE	WITH PAPER	TIN PLATE	BRASS	62431-7
PAPER SPLICE	WITH PAPER	TIN PLATE	BRASS	62431-6
WELD SPLICE	WITH PAPER	TIN PLATE	BRASS	62431-5
WELD SPLICE	PLASTIC REEL W/ PAPER	UNPLATED	BRASS	62431-2
PAPER SPLICE	WITH PAPER	TIN PLATE	BRASS	62431-1
SPLICE	REELING	FINISH	MATERIAL	PART NO

THIS DRAWING IS A CONTROLLED DOCUMENT.

DIMENSIONS: INCHES

TOLERANCES UNLESS OTHERWISE SPECIFIED:

0 PLC	± -
1 PLC	± -
2 PLC	± 0.25 [.010]
3 PLC	± -
4 PLC	± -
ANGLES	± -

MATERIAL: SEE TABLE

FINISH: SEE TABLE

APVD: R.R. BUCHHEISTER JR. 23/JUN/94

CHK: MICHAEL S. FEHER 24/JUN/94

APVD: NELSON E. NEFF 27/JUN/94

PRODUCT SPEC: 108-2012

APPLICATION SPEC: 114-2046

WEIGHT: 0

CUSTOMER DRAWING

SCALE: 10:1

SHEET: 1 OF 1

REV: AA

TE Connectivity

TERMINAL, POKE-IN, 300 SERIES MAG-MATE™

SIZE: A2

CAGE CODE: 00779

DRAWING NO: 62431

RESTRICTED TO: -