



0.01-18 GHz

DC Blocks**(Audio Interference Suppressors)**

- Broadband Frequency Ranges
- Suppresses DC thru 100 kHz Leakage from External Signal Sources
- Low Insertion Loss
- Small Size, Light Weight

Specifications*Inside/Outside Block, Type N, 0.01 - 12.4 GHz*

FREQUENCY RANGE (GHz)	MODEL	VSWR (max.)		INSERTION LOSS (dB max.)		VOLTAGE BREAKDOWN (Vdc)	RF INPUT POWER (Watts, max. CW)	CONNECTORS	WEIGHT (max.) grams
		10-20 MHz	0.02-12.4 GHz	0.01-11.0 GHz	11.0-12.4 GHz				
0.01-12.4	562	1.5	1.3	0.5	1.0	100	10	Type N M/F	125

Inside/Outside Block, SMA, 0.50 - 18.0 GHz

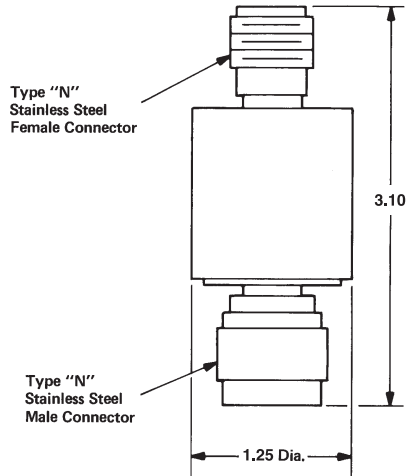
FREQUENCY RANGE (GHz)	MODEL	VSWR (max.)	INSERTION LOSS (dB max.)		VOLTAGE BREAKDOWN (Vdc)	RF INPUT POWER (Watts, max. CW)	CONNECTORS	WEIGHT (max.) grams
			0.5-1.5 GHz	1.5-18.0 GHz				
0.50-18.0	4563	1.35	1.5	0.5	150	10	SMA M/F	10

Inside Block, SMA, 0.15 - 18.0 GHz

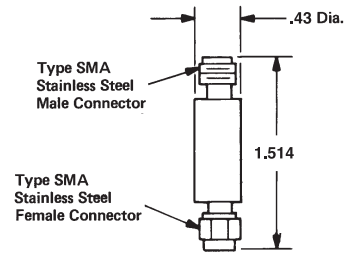
FREQUENCY RANGE (GHz)	MODEL	VSWR (max.)	INSERTION LOSS (dB max.)	VOLTAGE BREAKDOWN (Vdc)	RF INPUT POWER (Watts, max. CW)	CONNECTORS	WEIGHT (max.) grams
0.15-18.0	4564	1.35	0.35	150	10	SMA M/F	10

DC Blocks

Outline Drawings



MODEL 562



MODELS 4563 and 4564

Dimensions in inches, unless otherwise specified.