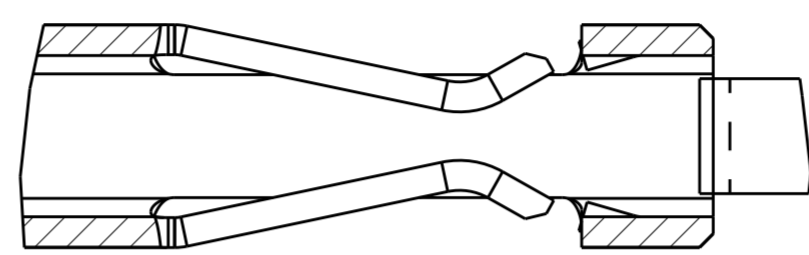
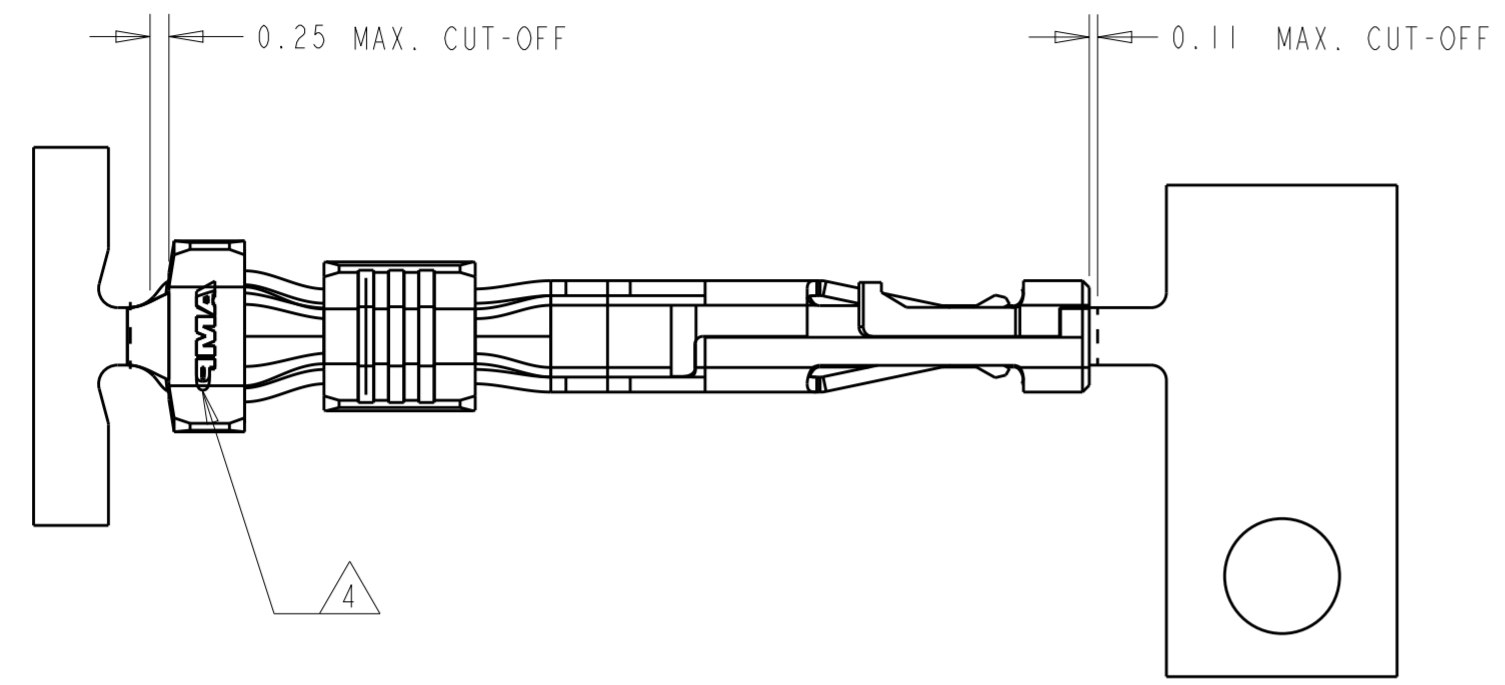


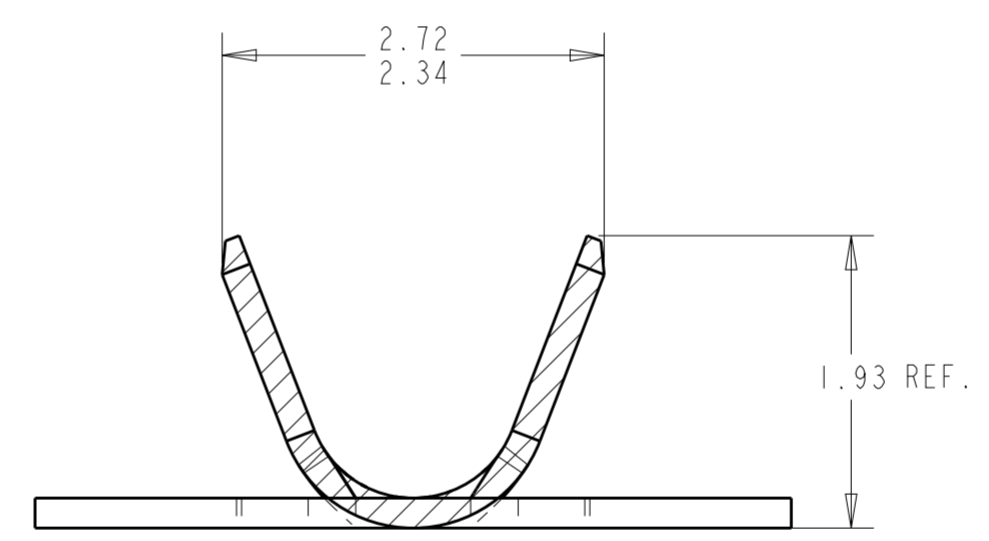
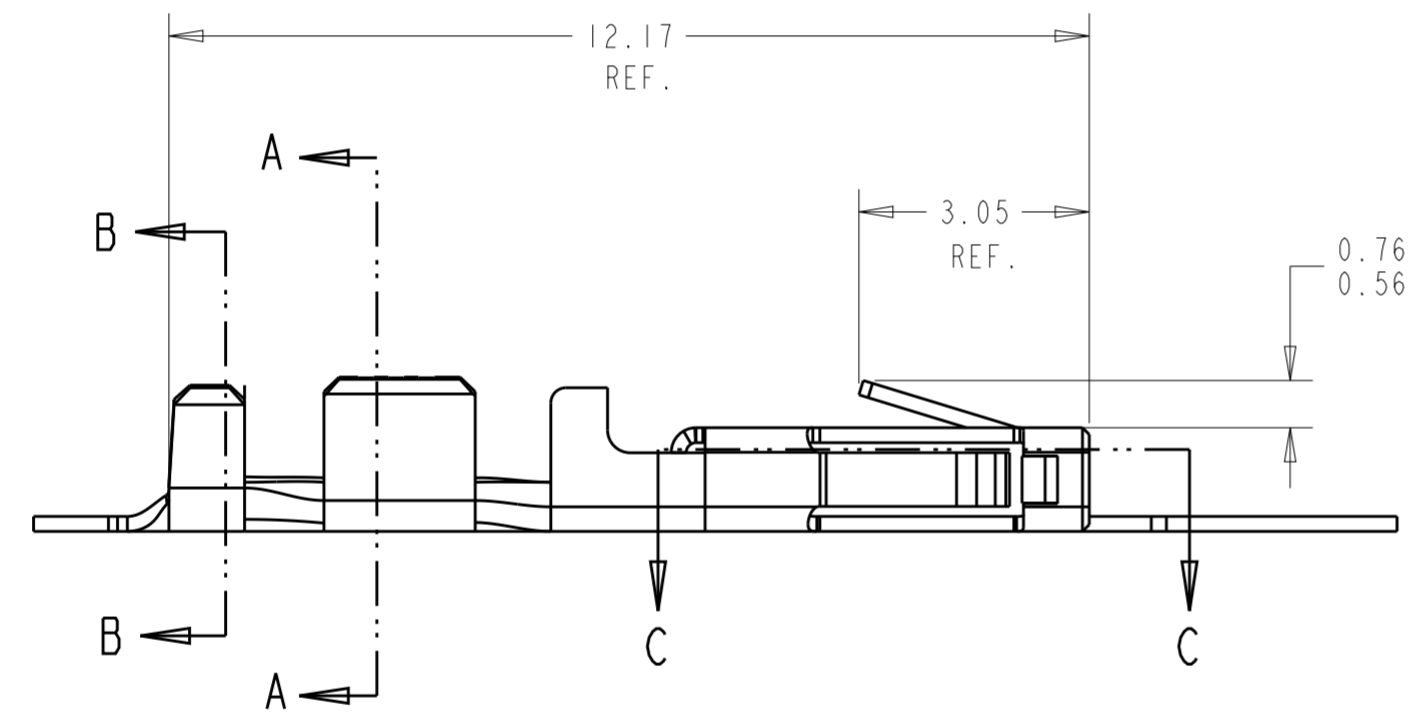
© copyright_date

REVISIONS					
P	LTR	DESCRIPTION	DATE	DWN	APVD
	A	REVISED BY ECO 19-007699	23MAY2019	WLS	DZ

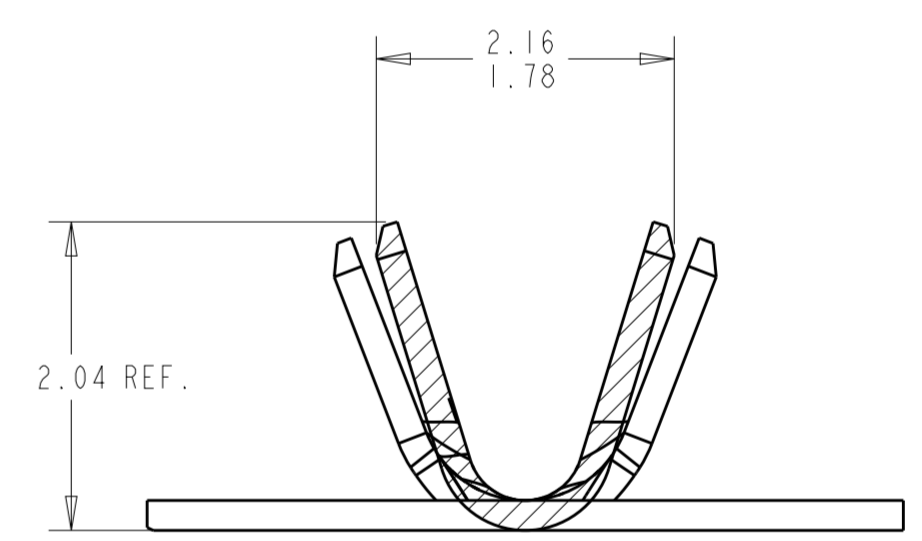


SECTION C-C
SCALE 20:1

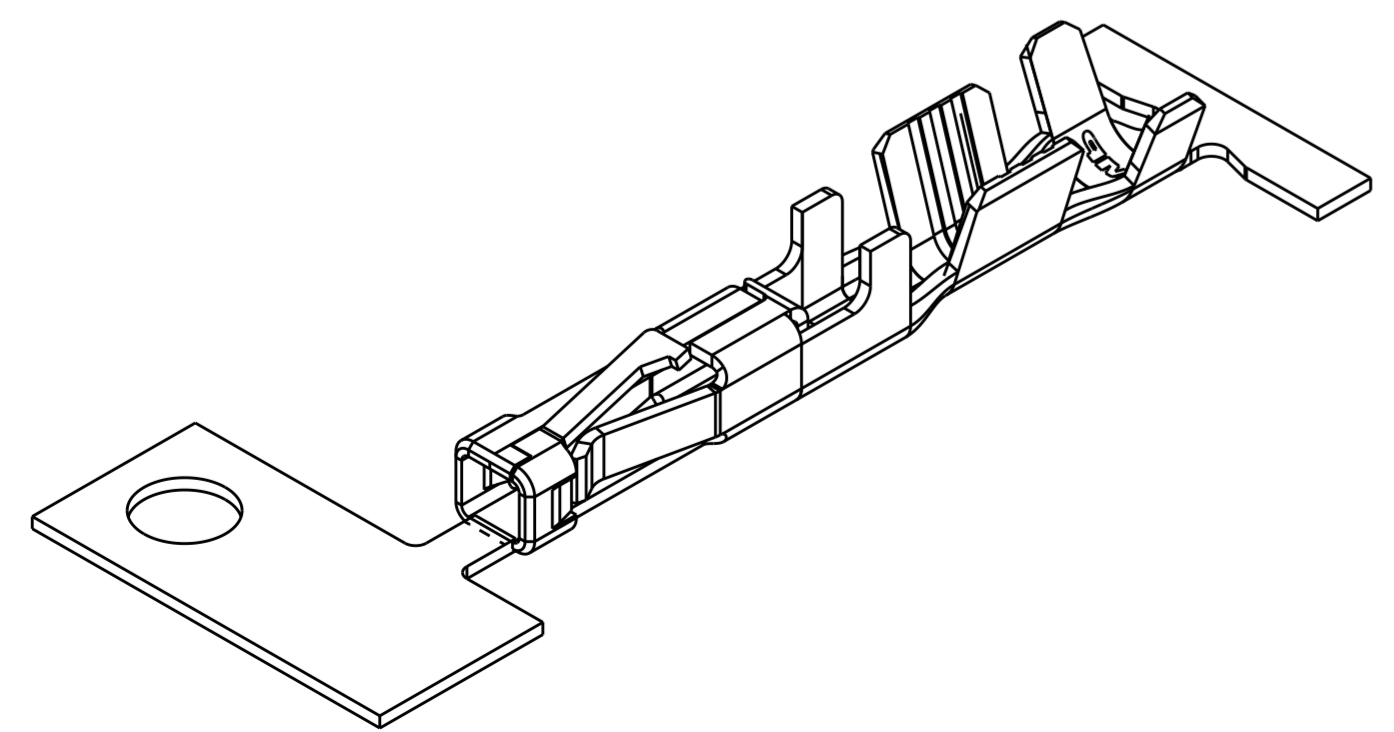
- 1 - 0.0015 - 0.0040 THK BRIGHT TIN.
- 2 - WIRE RANGE : 0.50 MM2.
- 3 - INSULATION RANGE : 0.890 - 1.524 MM.
- 4 - AMP LOGO LOCATED APPROXIMATELY AS SHOWN.



SECTION B-B
SCALE 20:1



SECTION A-A
SCALE 20:1



	2825493-1
FINISH	PART NUMBER

THIS DRAWING IS A CONTROLLED DOCUMENT.		DWN W. STEFANI 23MAY2019	TE Connectivity			
		CHK MICHAEL DELP 23MAY2019				
		APVD DANIEL ZHANG 23MAY2019	NAME CONTACT, RECEPTACLE, CRIMP, SNAP-IN, MICRO MATE-N-LOK (TM)			
DIMENSIONS: mm		PRODUCT SPEC 108-1836	SIZE A2	CAGE CODE 00779	DRAWING NO C-2825493	RESTRICTED TO -
TOLERANCES UNLESS OTHERWISE SPECIFIED: 0 PLC ± 1 PLC ± 2 PLC ±0.13 3 PLC ± 4 PLC ± ANGLES ±1° FINISH		APPLICATION SPEC 114-13000	WEIGHT -	SCALE 5:1		SHEET 1 OF 1
MATERIAL 0.2 MM PH BRZ		SEE TABLE	CUSTOMER DRAWING		REV A	