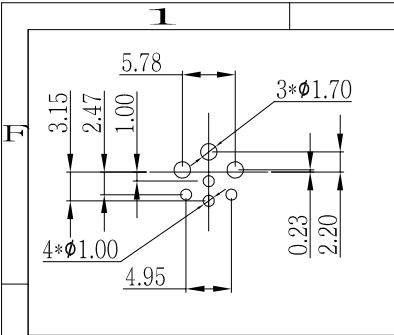
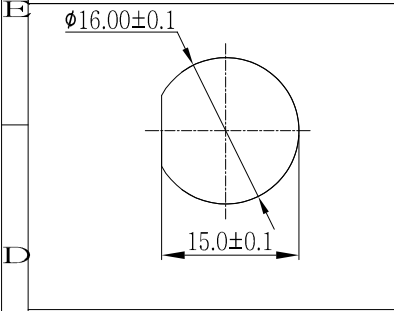


THIS INFORMATION IS CONFIDENTIAL AND IS DISCLOSED TO YOU ON CONDITION THAT NO FURTHER DISCLOSURE IS MADE BY YOU TO OTHER THAN CHOGORI PERSONNEL WITHOUT AUTHORIZATION FROM CHOGORI CORP.

REV.	ECN NO.	DESCRIPTION	SIGN	DATE
C1	N/A	INITIAL DRAWING	Yumer	2020/04/27

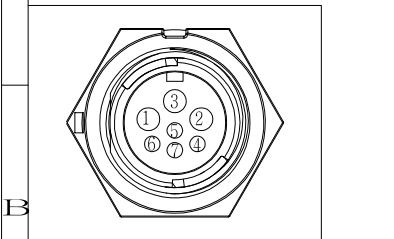


3+4 Pin
PCB Layout



Recommended Panel Cut-Out

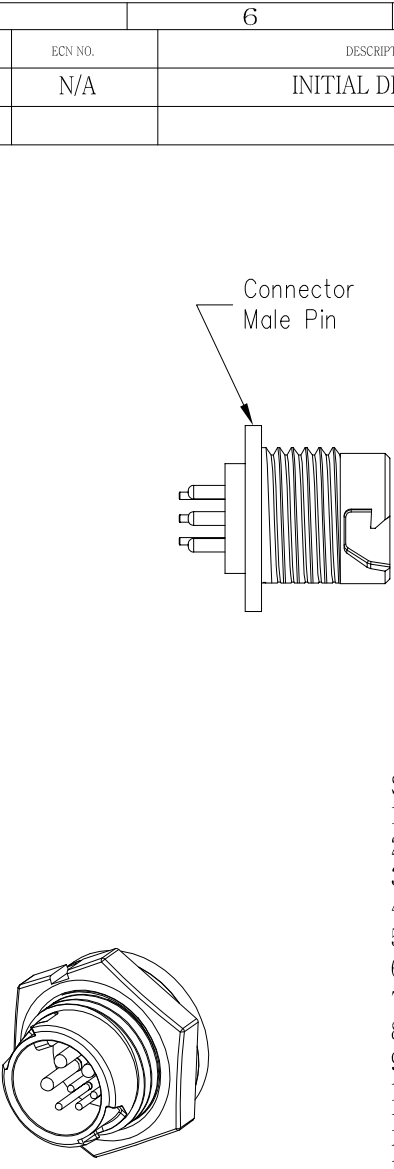
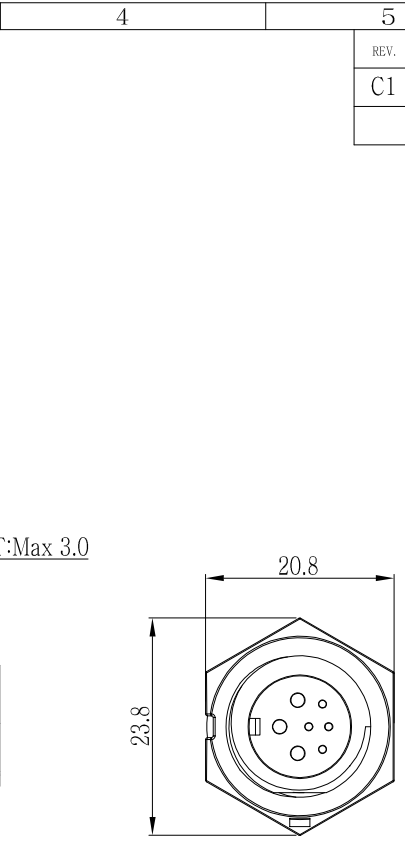
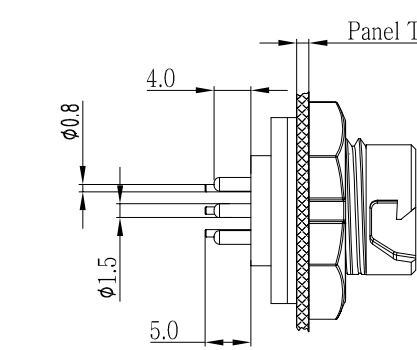
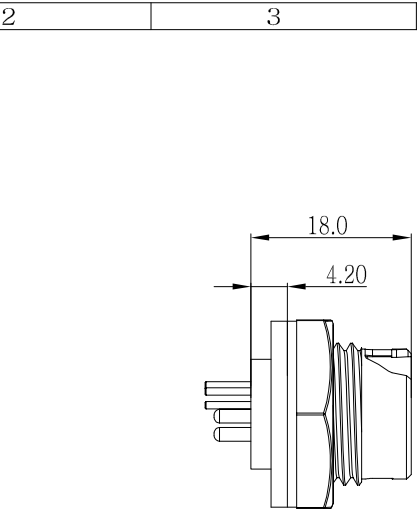
22XXX535-02
Pin Number



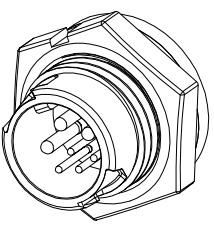
3+4 Pin
P/N: 22304535-02

Pin Assignments
Front View

UNIT:mm	
TOLERANCE	
.X	±0.25
.XX	±0.15
.XXX	±0.05
ANGLES	±1°



- Specification:
- 1.Operation Temperature:-45°C~105°C.
 - 2.Insulation Resistance:100MΩ at DC500V.
 - 3.Contact Resistance:<10mΩ.
 - 4.Withstand Voltage: 1300V AC
 - 5.Operating Current:10+ 2A
 - 6.Operating Voltage:AC 60V
 - 7.Waterproof Rate:IP67 (Mated)
 - 8.Connector:Nylon, Black
 - 9.Male Pin:Copper Alloy, Gold Plated
 - 10.Gasket:Silicon Gray
 - 11.Panel Nut:Nylon, Orange
 - 12.Torque Rate:0.8~1.0N • m
 - 13.RoHS Compliant.
 - 14.Mating Cap P/N:806-00053-00



DESCRIPTION Standard Series Push Lock Front Mount With Male Pin(PCB)		CHOGORI [®]
SCALE: 1:1	SHEET 1 OF 1	
REV. C1	SIZE A4 * :Inspection Item	

PART NO 22XXX535-02	DRAWN BY Yumer	DATE 2020/04/27
DWG NO	CHECKED BY Ivan	DATE 2020/04/27
CUSTOMER	APPROVED BY Panson	DATE 2020/04/27