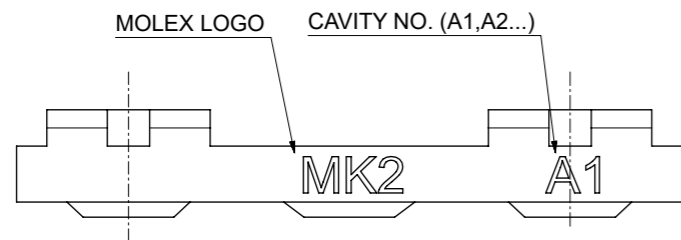
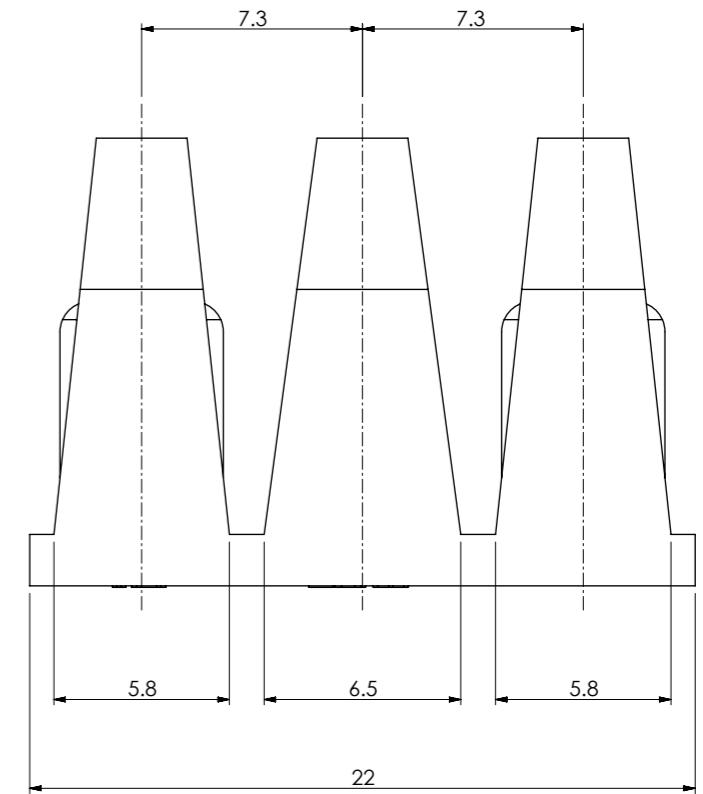
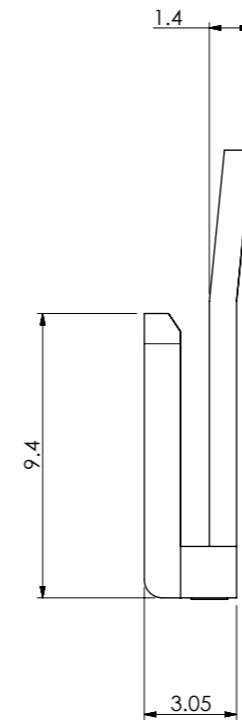
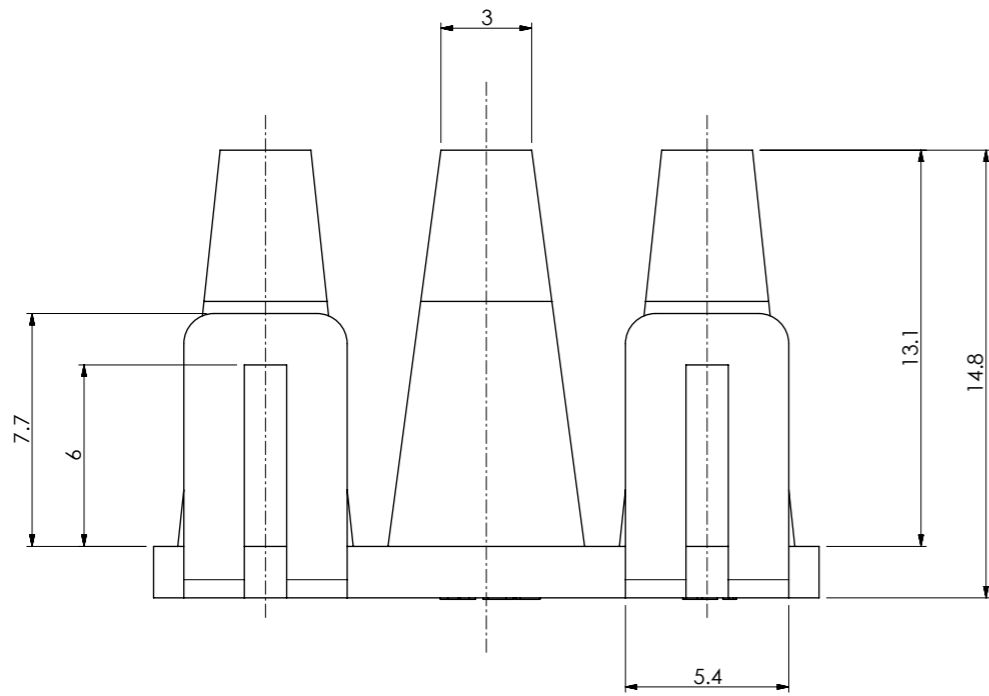
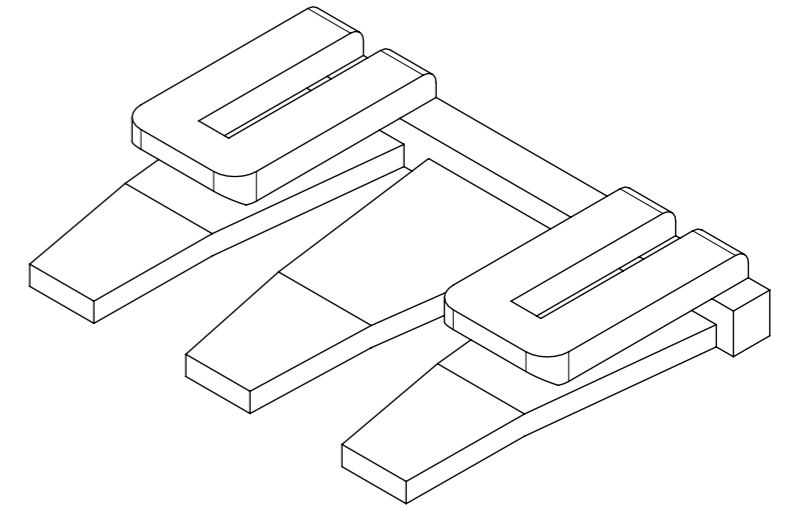


NOTE

1. MATERIAL : NYLON(PA6) UNFILLED, UL94V-0
COLOR : GRAY
2. APPLICATION HOUSING : 217347-0300
217348-0300
3. PRODUCT SPECIFICATION : 2173470000PS
4. PACKAGING SPECIFICATION : 2173470000PK



FUNCTIONAL SYMBOLS	THIS DRAWING CONTAINS INFORMATION THAT IS PROPRIETARY TO MOLEX ELECTRONIC TECHNOLOGIES, LLC AND SHOULD NOT BE USED WITHOUT WRITTEN PERMISSION		CURRENT REV DESC:		molex					
	FA = 0	mm							SCALE 4:1	
DIVISIONAL SYMBOLS	GENERAL TOLERANCES (UNLESS SPECIFIED)		EC NO: 743246 DRWN: JDPARK01 2023/03/17 CHK'D: SCHONG03 2023/03/22 APPR: AIDA 2023/03/23		HIGH TEMP VERSABLADE TPA 3P					
	FB = 0	ANGULAR TOL ± 3.0°								
DIVISIONAL SYMBOLS	FC = 0	4 PLACES ±		INITIAL REVISION:		DOCUMENT NUMBER		DOC TYPE	DOC PART	REVISION
		3 PLACES ±		DRWN: SCHONG03 2021/05/21		2173470390		PSD	000	A1
		2 PLACES ± 0.35		APPR: JBJIN 2021/10/28		MATERIAL NUMBER		CUSTOMER		SHEET NUMBER
		1 PLACE ± 0.35		DRAFT WHERE APPLICABLE MUST REMAIN WITHIN DIMENSIONS		THIRD ANGLE PROJECTION	DRAWING	SERIES		
	0 PLACES ± 0.35					A3-SIZE	217347	GENERAL		1 OF 1