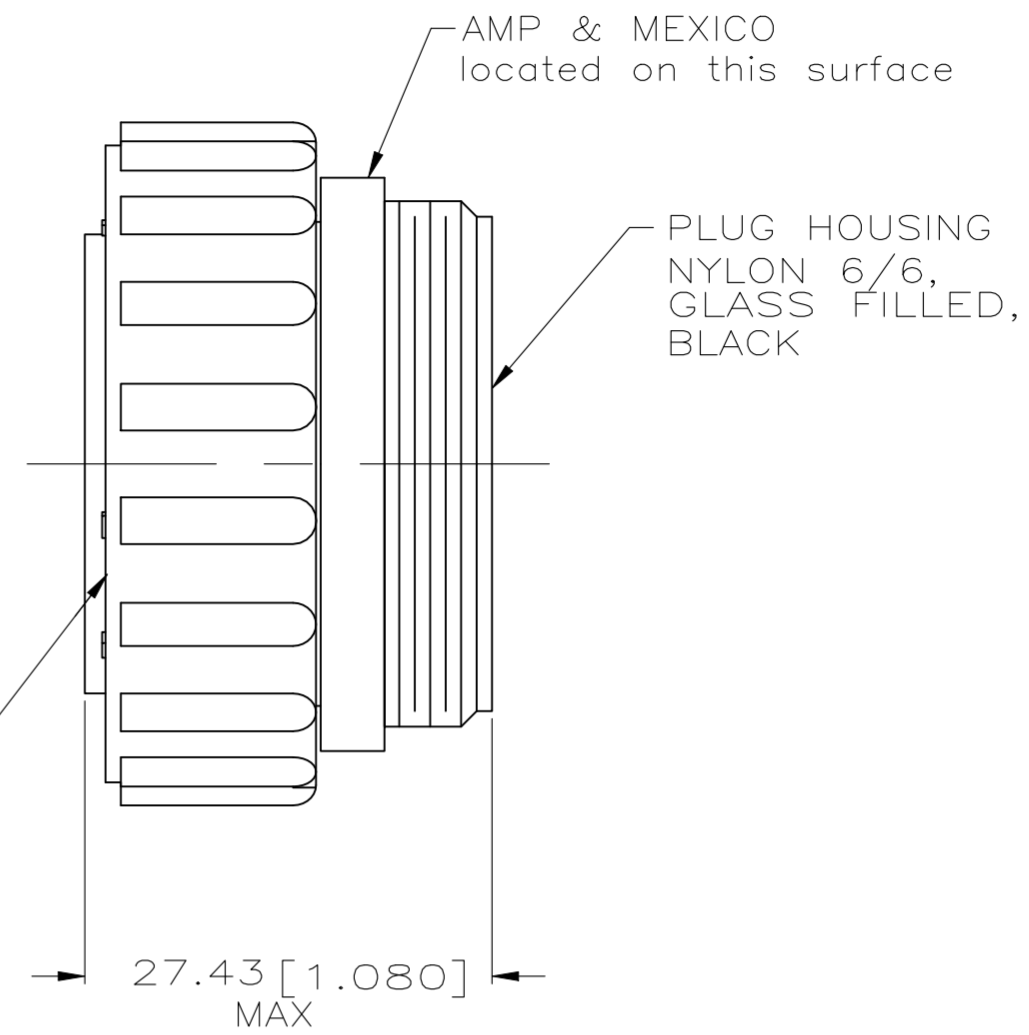
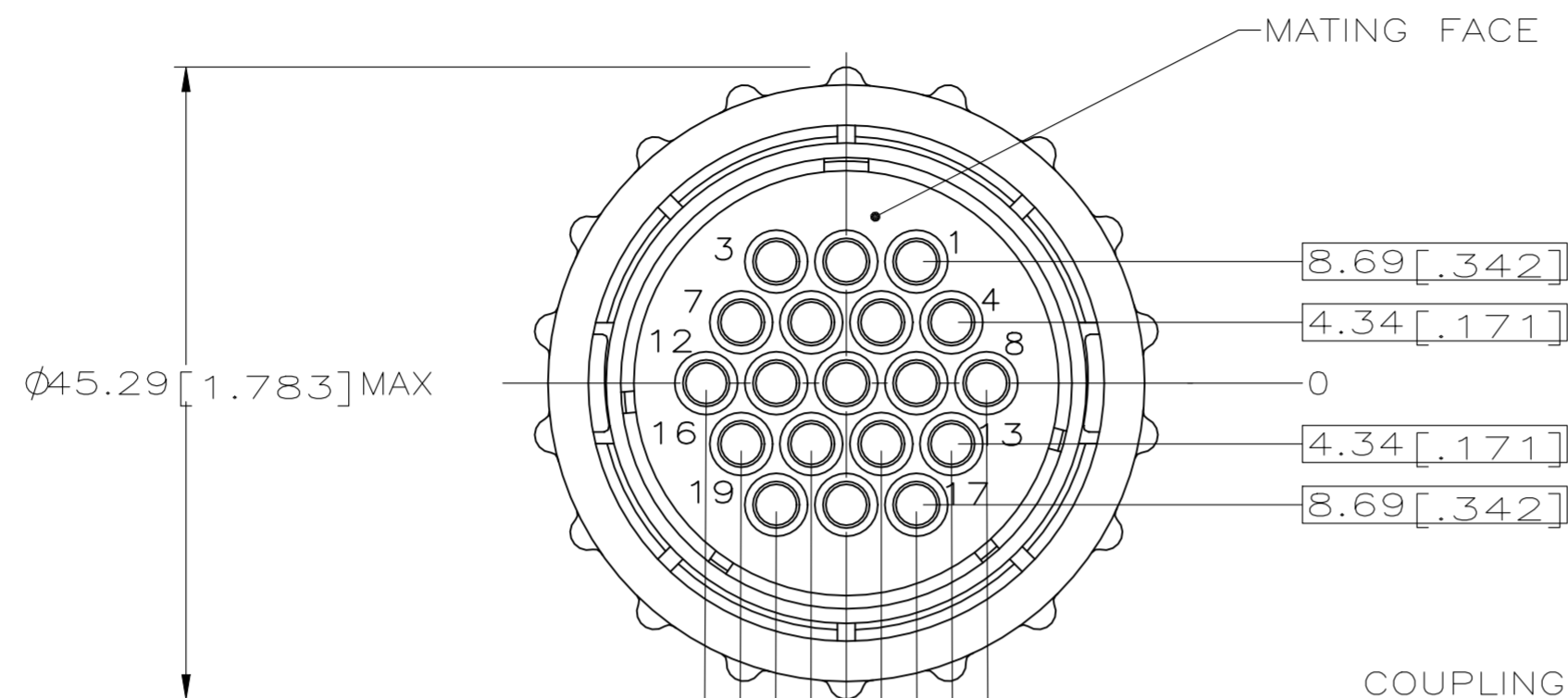
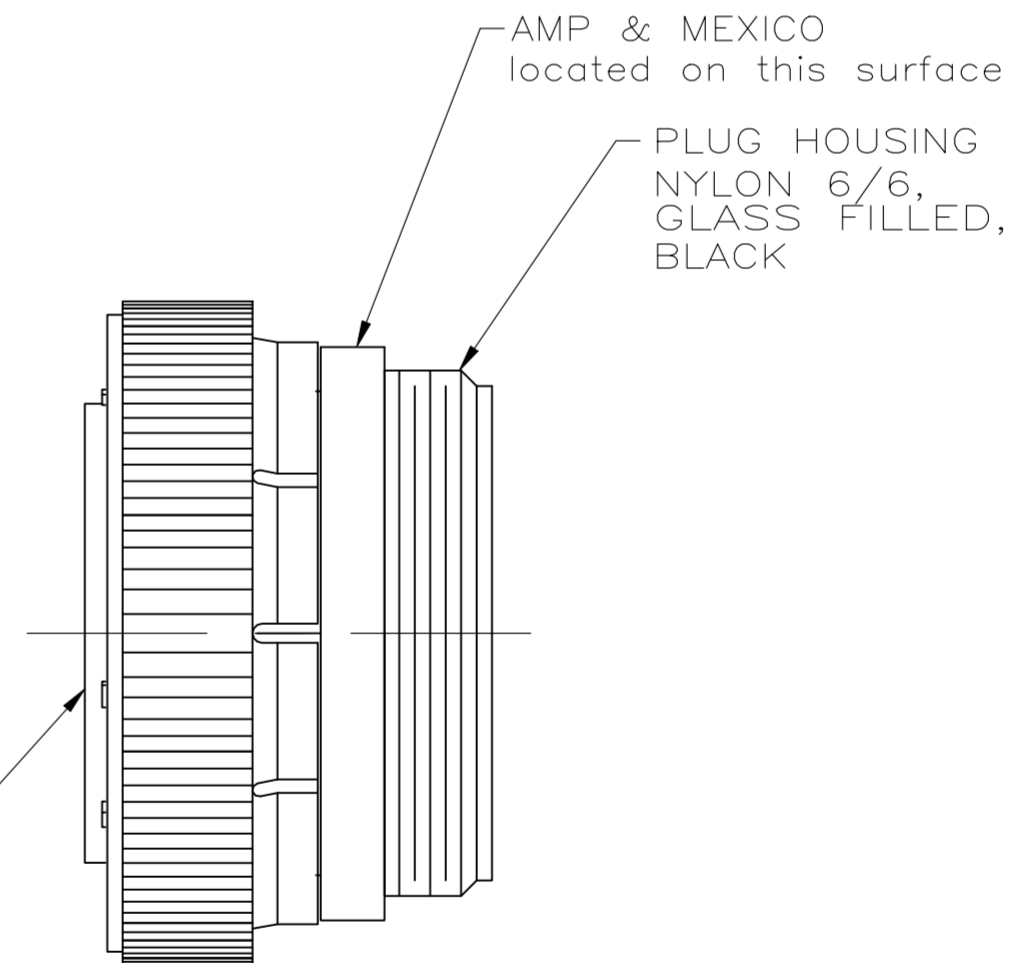
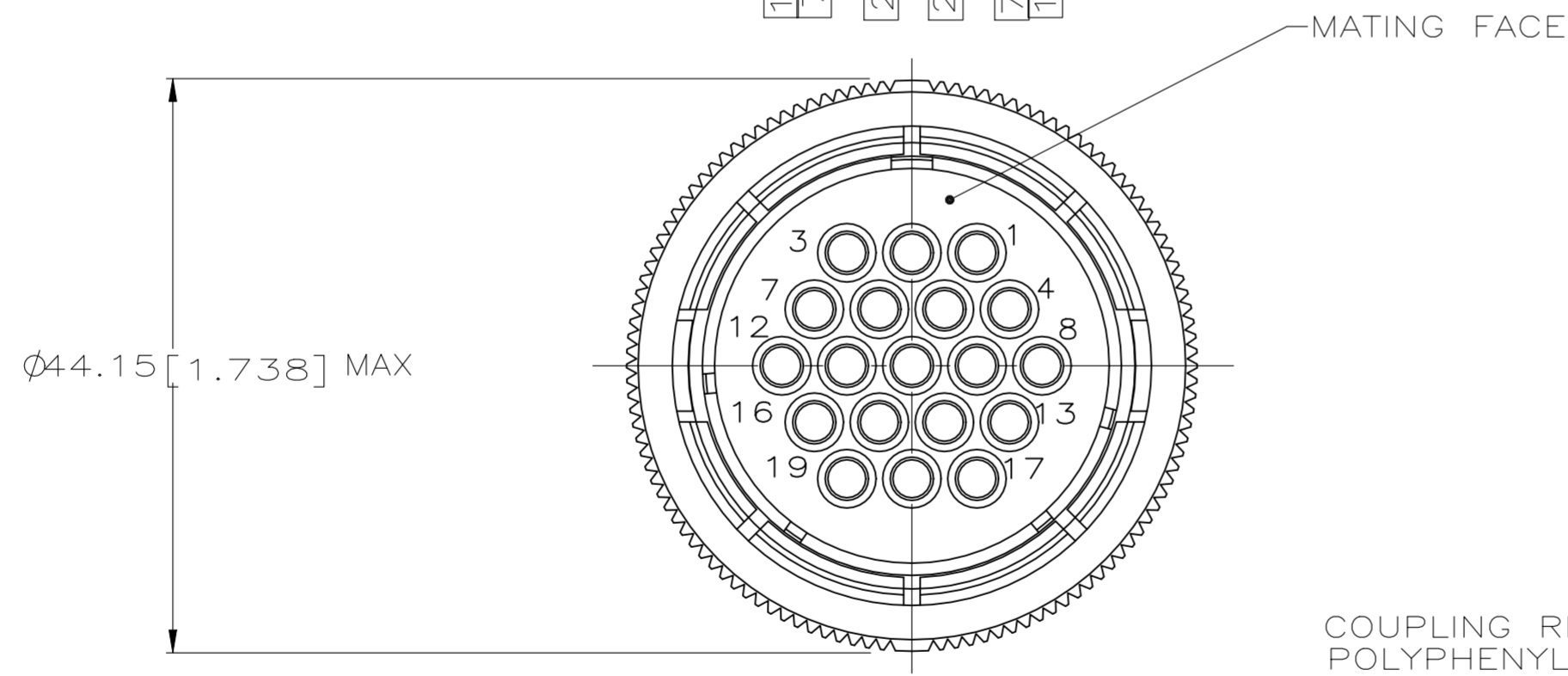


REVISIONS					
P	LTR	DESCRIPTION	DATE	DWN	APVD
H		REVISED PER ECN-22-139434	17FEB2022	RK	MZ



10.01 [.394]
7.506 [.2955]
5.00 [.197]
2.502 [.0985]
0
2.502 [.0985]
5.00 [.197]
7.506 [.2955]
10.01 [.394]

(-2 ONLY)



(-1 & -3 ONLY)

211770-3	3	211770-2
SUPERSEDED BY -2		211700-1
PART NUMBER		

NOTES:

- CONTACT CAVITIES IDENTIFIED BY CHARACTERS ON FRONT AND REAR FACES OF CONNECTOR.
- CONNECTOR WILL ACCEPT (19) MULTIMATE SOCKET CONTACTS.
- 3 SPECIAL CAVITY DIMENSIONAL FEATURES.

THIS DRAWING IS A CONTROLLED DOCUMENT.		DWN S. RIDGLEY BG 31 JUL 90	TE TE Connectivity	
DIMENSIONS: mm		CHK R. STONE 26 APR 91		
TOLERANCES UNLESS OTHERWISE SPECIFIED:		APVD K. BEAVER 03 APR 91	NAME	
0 PLC ± -		PRODUCT SPEC	108-10024	
1 PLC ± -		APPLICATION SPEC	-	
2 PLC ± -		WEIGHT	-	
3 PLC ± -		MATERIAL	SEE CALLOUT	
4 PLC ± -		FINISH	-	
ANGLES ± -		CUSTOMER DRAWING	SCALE 2:1 SHEET 1 OF 1 REV H	
FINISH		SIZE	CAGE CODE	DRAWING NO
-		A2	00779	C=211770
-		RESTRICTED TO		-