

LOC	DIST	REVISIONS					
		P	LTR	DESCRIPTION	DATE	DWN	APVD
—	—	B		ECR-15-003370	02MAR2015	GH	GS

Ausführung:
Workmanship:

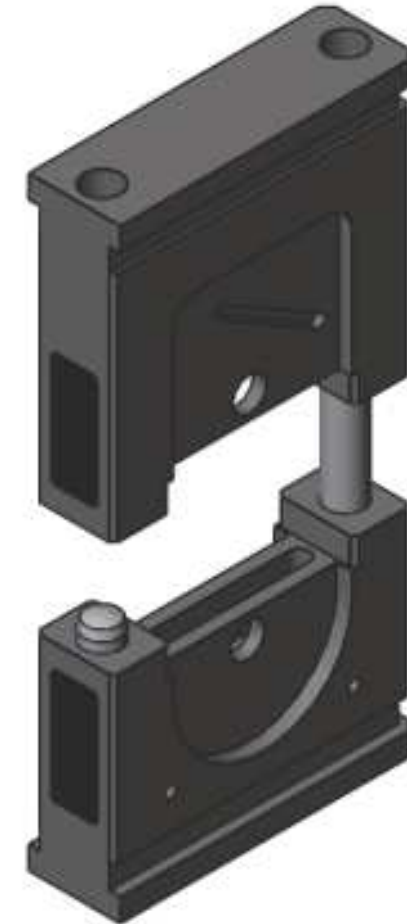
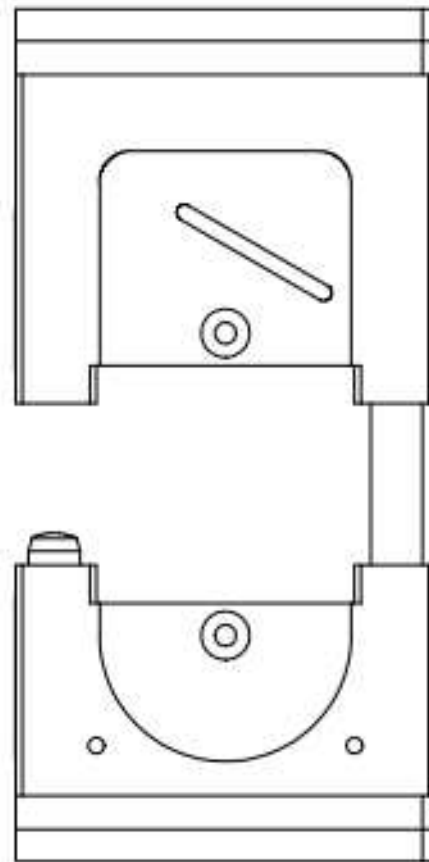
- Leichte Handhabung
Easy handling
- Linearer Hub
Straight action principle
- Oberfläche brüniert
Burnished surface
- Voll recyclefähig;
RoHS(Richtlinie 2002/95/EG) konform
Fully recyclable;
RoHS(Richtlinie 2002/95/EG) compliant


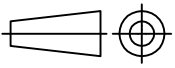
Abmessungen:
Dimensions:

- Länge: ca. 108 mm
Length: approx. 108 mm
- Breite: ca. 20 mm
Width: approx. 20 mm
- Tiefe: ca. 65 mm
Depth: approx. 65 mm
- Gewicht: ca. 900 g
Weight: approx. 900 g

Anwendungsbereich:
Application range:

- Für ERGO Gesenke
For ERGO dies



THIS DRAWING IS A CONTROLLED DOCUMENT.		DWN G.Herold 01JUL2013		
		CHK T.Weissgerber 01JUL2013		
		APVD T.Weissgerber 01JUL2013	NAME ERGO DIE-ADAPTER, AT-SC MK II	
DIMENSIONS: mm		TOLERANCES UNLESS OTHERWISE SPECIFIED:		PRODUCT SPEC
		0 PLC ± -		APPLICATION SPEC
		1 PLC ± -		—
MATERIAL		2 PLC ± -		SIZE
		3 PLC ± -		CAGE CODE
FINISH		4 PLC ± -		DRAWING NO
		ANGLES ± -		RESTRICTED TO
		WEIGHT		0,900kg
		CUSTOMER DRAWING		SCALE
		SHEET		1 OF 1
		REV		B