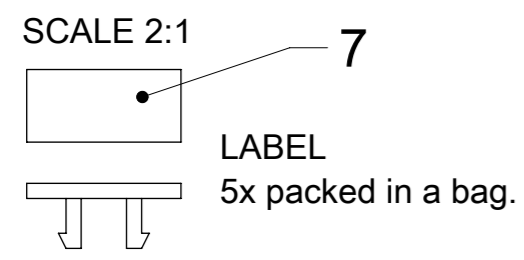


TABLE 1

MOLEX P/N	ENG. NO.	CABLE LENGTH (mm)	LED
1202470001	BEB401P-FBW-05	5000	YES
1202470002	BEB401P-FBW-10	10000	YES
1202470003	BEB401P-FBW-15	15000	YES
1202470004	BEB401P-FBW-20	20000	YES
1202470028	BEB4010-FBW-05	5000	NO
1202470029	BEB4010-FBW-10	10000	NO
1202470030	BEB4010-FBW-15	15000	NO

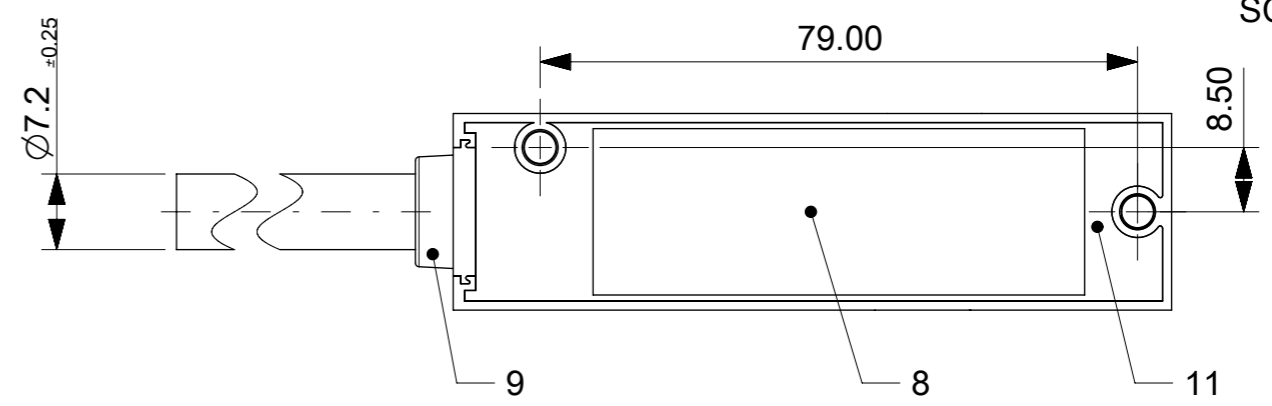
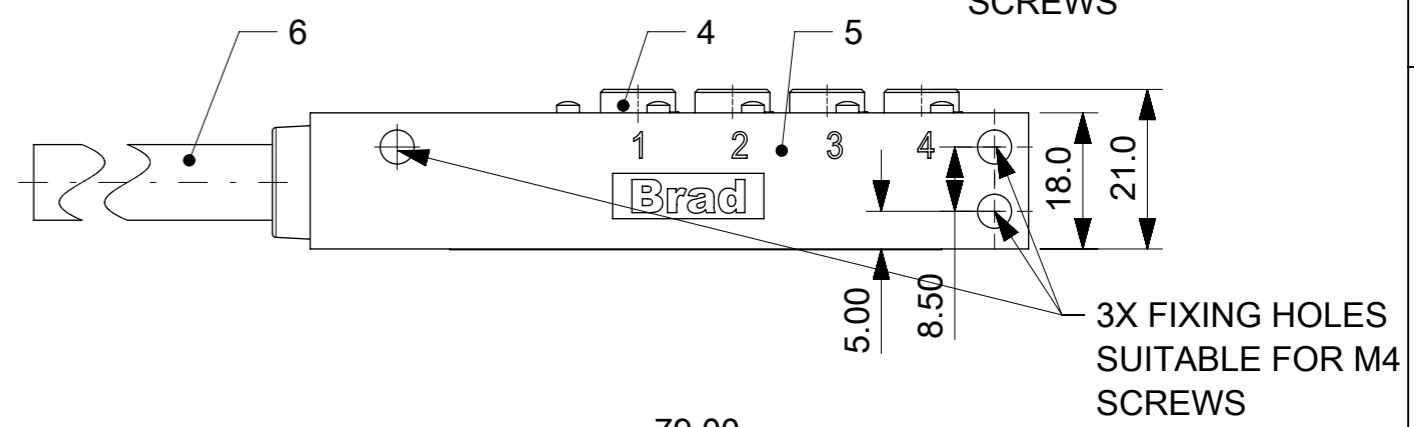
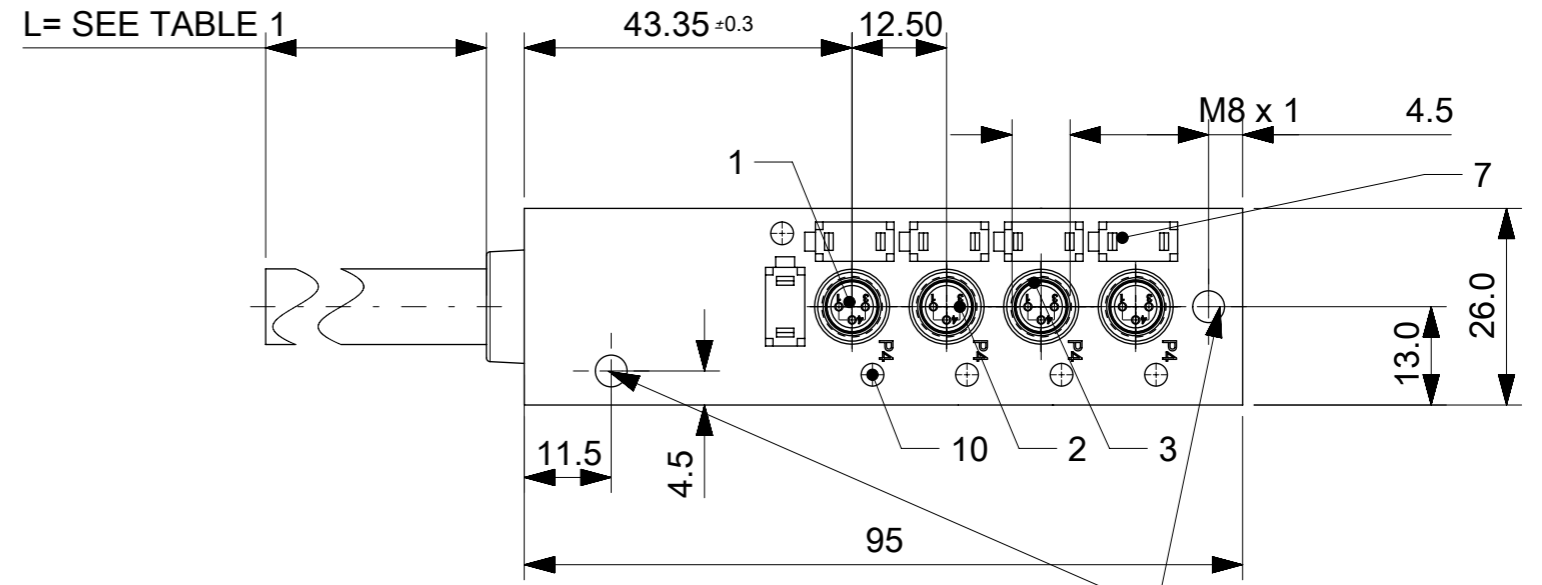
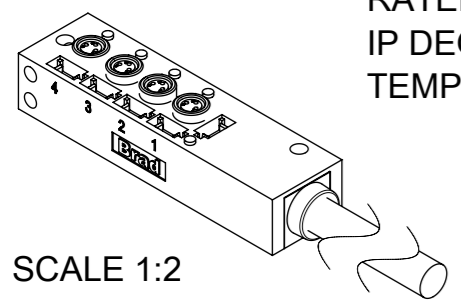
TABLE 2

ITEM	COMPONENT	MATERIAL	FINISH
1	INSERT	TPU	BLACK
2	CONTACT SOCKET	COPPER ALLOY	GOLD OVER NICKEL
3	O-RING	VITON	RED
4	RECEPTACLE SHELL	BRASS	NICKEL PLATED
5	HOUSING	PBT	BLACK
6	CABLE	TPU	BLACK
7	LABEL	ABS	WHITE
8	LABEL ADHESIVE	PE	WHITE
9	CABLE PLATE	PBT	BLACK
10	LED	NO LED = PA	BLACK
		WITH LED = PA	TRANSPARENT
11	RESIN	EPOXY	TRANSPARENT



GENERAL CHARACTERISTICS:

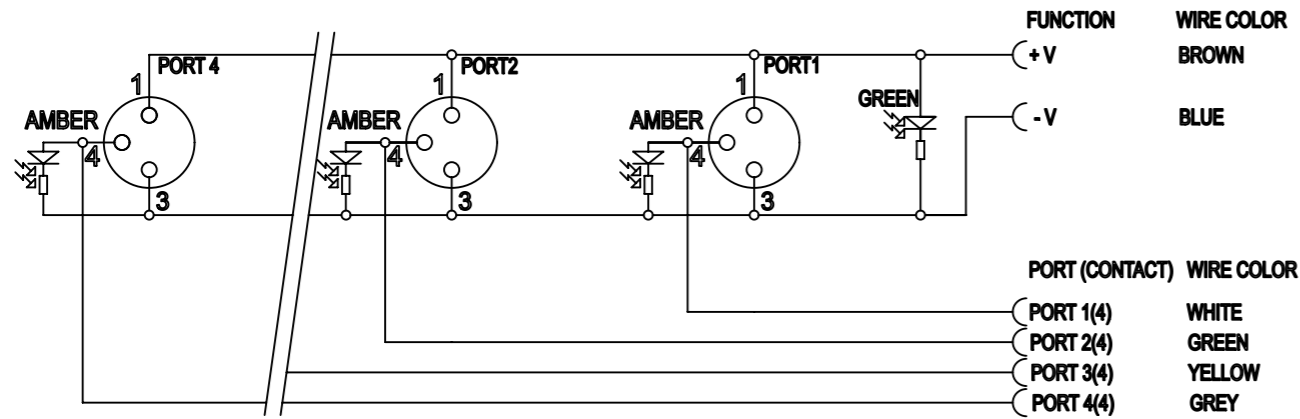
NOMINAL VOLTAGE: 24 V DC
 RATED CURRENT: 2 A PER PORT / 6 A MAX: TOTAL
 IP DEGREE OF PROTECTION: IP 68
 TEMPERATURE RANGE: -25°C to + 85°C



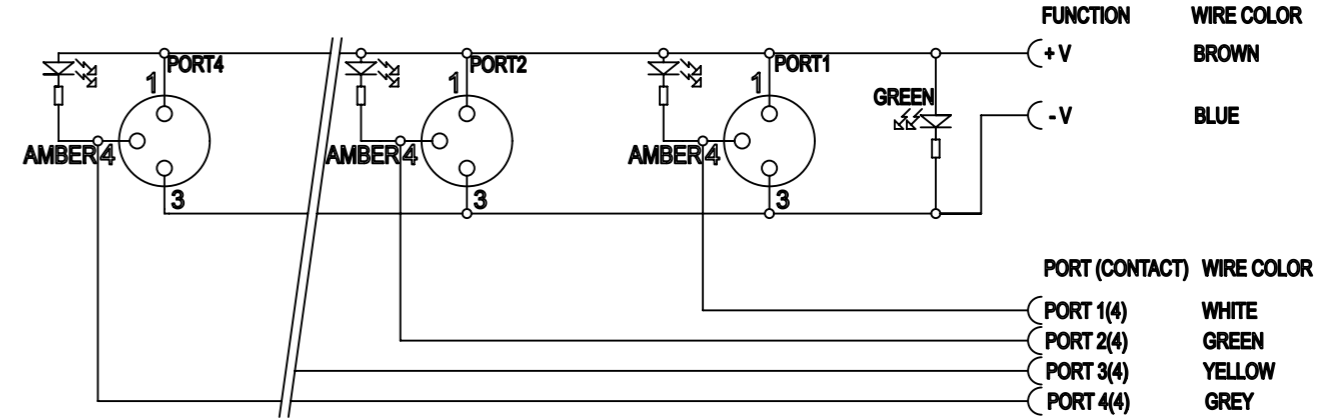
THIS DRAWING CONTAINS INFORMATION THAT IS PROPRIETARY TO MOLEX INCORPORATED AND SHOULD NOT BE USED WITHOUT WRITTEN PERMISSION

EC DESCRIPTION EC NO: 112816 DRWN: ULETTENMEIER 2016/09/26 CHK'D: APPR: RSILLER 2017/01/26	QUALITY SYMBOLS	GENERAL TOLERANCES (UNLESS SPECIFIED)	DIMENSION UNITS	SCALE	<p>MPIS M8 PNP NPN NOS 3P 4PT BK XM SINGLE</p> <p>PRODUCT CUSTOMER DRAWING</p>
	▽ = 0 ▽ = 0 ▽ = 0 ▽ = 0 ▽ = 0 ▽ = 0 ▽ = 0 ▽ = 0	ANGULAR TOL ± ° 4 PLACES ± 3 PLACES ± 2 PLACES ± 0.2 1 PLACE ± 0.3 0 PLACES ± 0.5	MM	1:1	
	DRWN BY ULETTENMEIER CHK'D BY DATE 2015/01/20	APPR BY RSILLER DATE 2015/04/22	SERIES 120247 MATERIAL NUMBER SEE TABLE 1 CUSTOMER GENERAL MARKET	DOCUMENT NUMBER 1202470001 DOC TYPE PSD DOC PART 000 SHEET NUMBER 1 OF 2	
	DRAFT WHERE APPLICABLE MUST REMAIN WITHIN DIMENSIONS	DRAWING SIZE A3 THIRD ANGLE PROJECTION			

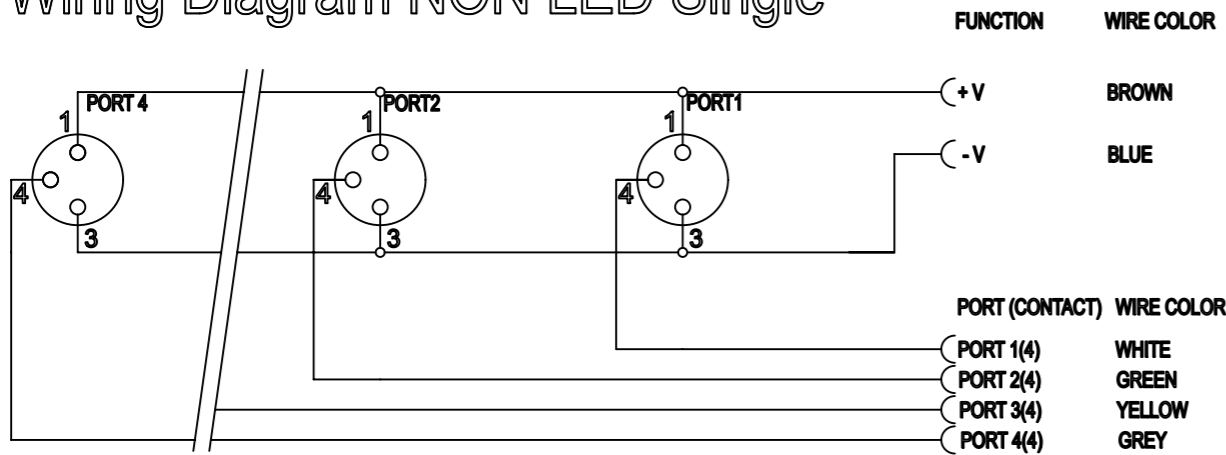
Wiring Diagram PNP Single



Wiring Diagram NPN Single



Wiring Diagram NON LED Single



THIS DRAWING CONTAINS INFORMATION THAT IS PROPRIETARY TO MOLEX INCORPORATED AND SHOULD NOT BE USED WITHOUT WRITTEN PERMISSION									
EC DESCRIPTION EC NO: 112816 DRWN: ULETTENMEIER 2016/09/26 CHK'D: APPR: RSILLER 2017/01/26	QUALITY SYMBOLS	GENERAL TOLERANCES (UNLESS SPECIFIED)		DIMENSION UNITS	SCALE				
	▽ = 0 ▽ = 0 ▽ = 0 ▼ = 0 ▽ = 0 ☒ = 0 ■ = 0 ▽ = 0	ANGULAR TOL ± ° 4 PLACES ± 3 PLACES ± 2 PLACES ± 0.2 1 PLACE ± 0.3 0 PLACES ± 0.5		MM	1:1				
	DRWN BY	DATE		ULETTENMEIER 2015/01/20		MPIS M8 PNP NPN NOS 3P 4PT BK XM SINGLE			
	CHK'D BY	DATE		RSILLER 2015/04/22					
	APPR BY	DATE		RSILLER 2015/04/22		PRODUCT CUSTOMER DRAWING			
REV	SERIES	MATERIAL NUMBER		CUSTOMER		120247 SEE TABLE 1 GENERAL MARKET			
B	DOCUMENT NUMBER		DOC TYPE	DOC PART	SHEET NUMBER		1202470001 PSD 000 2 OF 2		