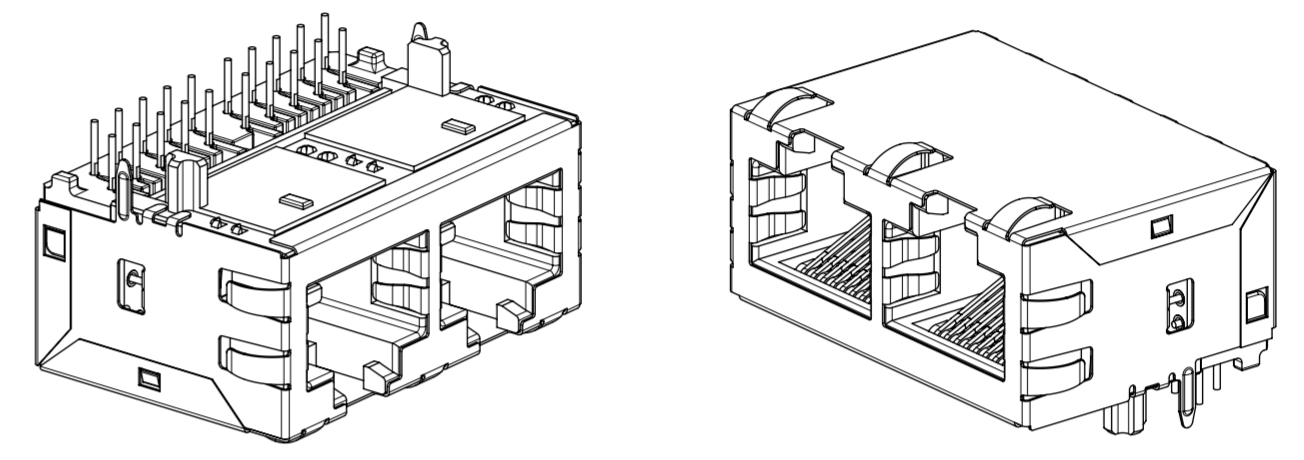
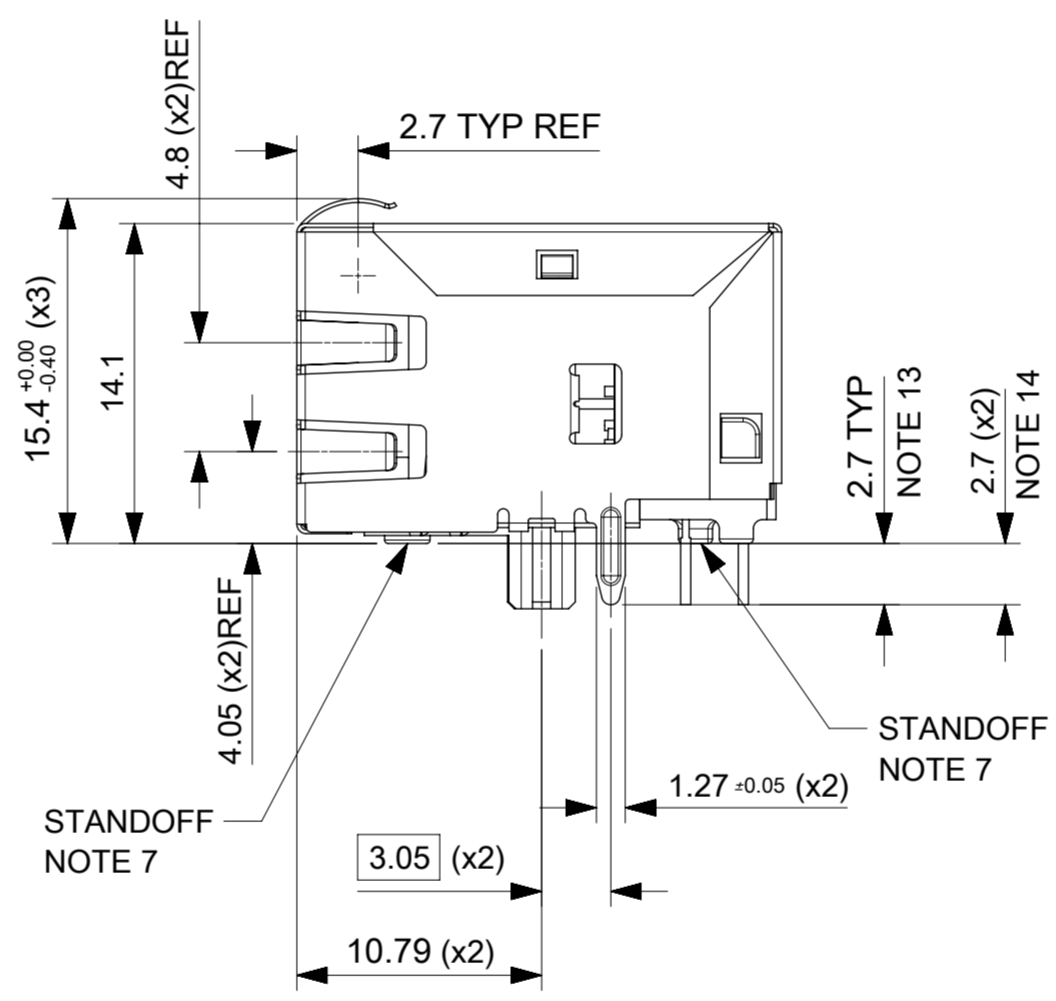
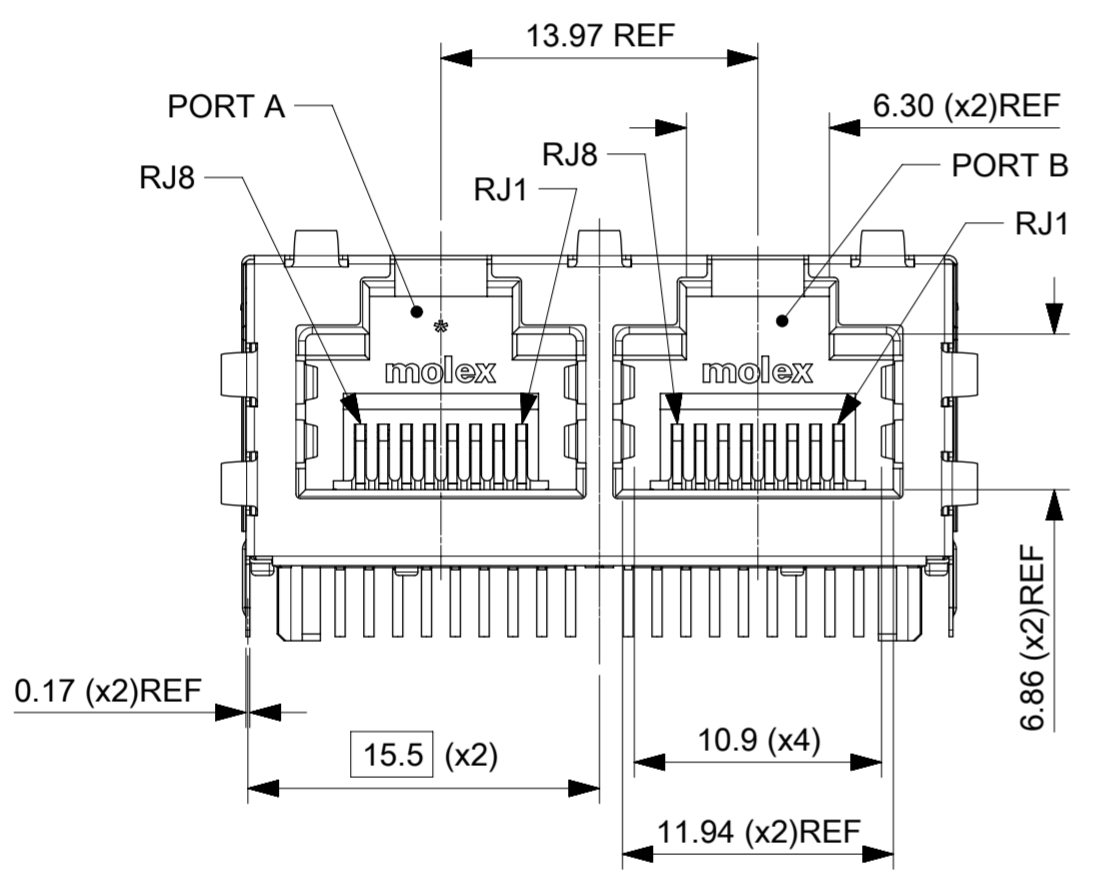


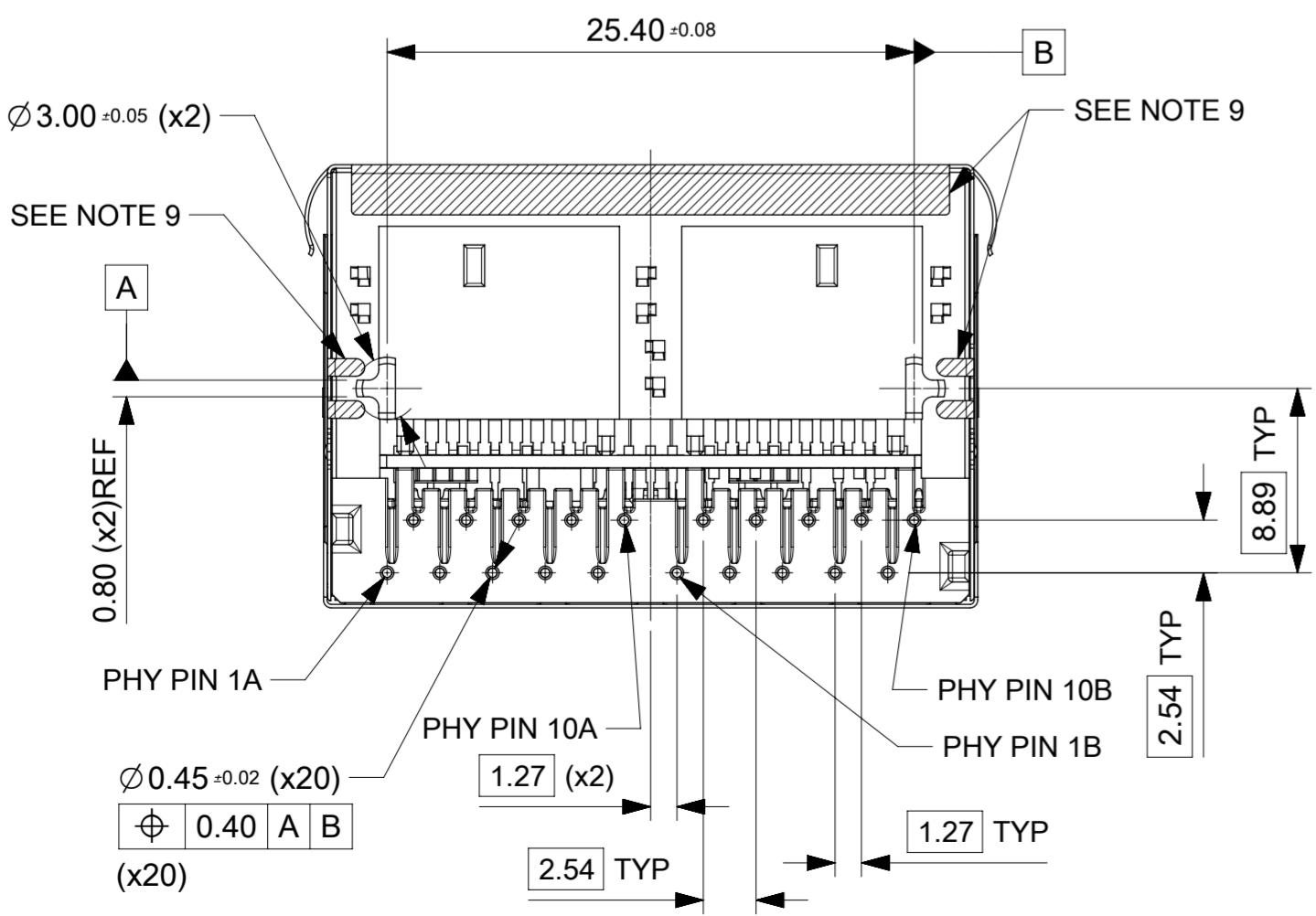
PART NUMBER 938263020



INVERTED PROFILE DUAL PORT MAGNETIC JACK
GIGABIT ETHERNET
WITH SHIELD TABS

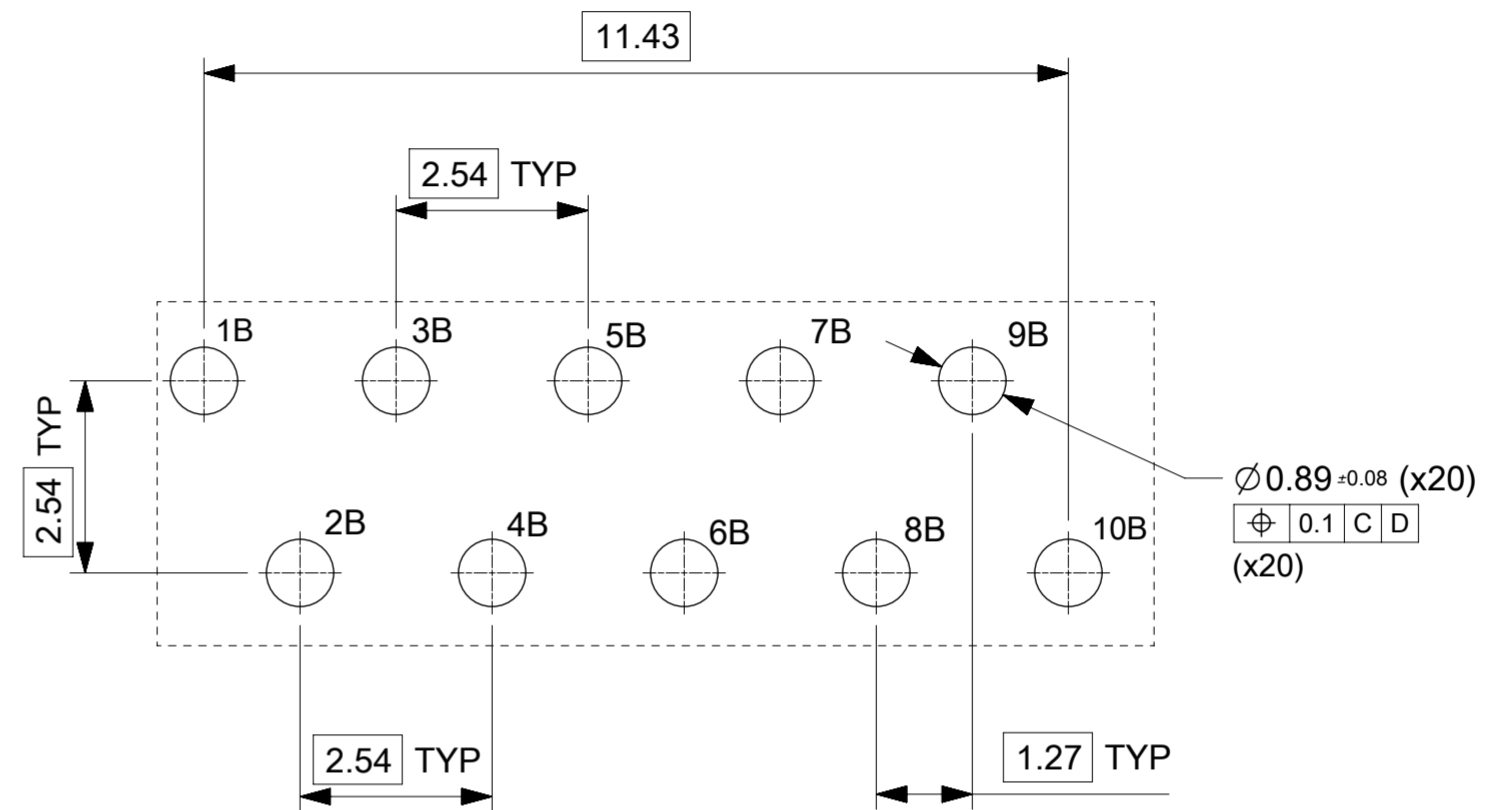
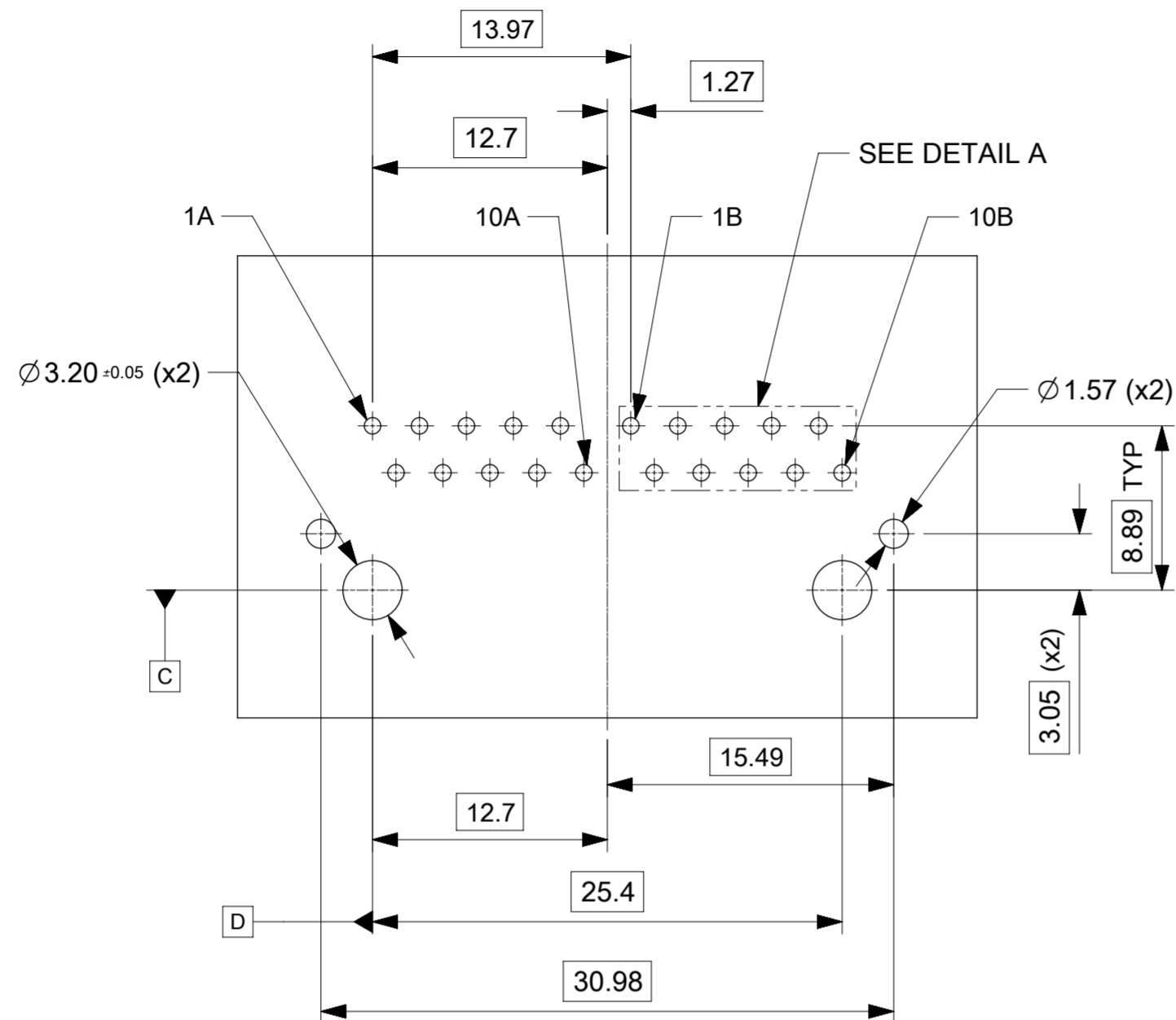


- NOTES:
- SHIELD MATERIAL: 0.17 mm THICK BRASS PRE-PLATED WITH NICKEL
SOLDER TABS POST DIPPED WITH MIN. 1.27 μm TIN
 - HOUSING MATERIAL: LCP, BLACK, UL 94V-0
 - TERMINALS MATERIAL: PHOSPHOR BRONZE
RJ45 CONTACTS PLATING: BASE NICKEL PLATED WITH GOLD
FLASH OVER PALLADIUM NICKEL. REFER TO 934620001 PSP
PHY SOLDER TAILS: COPPER ALLOY
 - MATING INTERFACE ACCORDING TO IEC 60603-7 & TIA-1096-A
 - PRODUCT SPECIFICATION: 934620001 PSP
 - PACKAGING SPECIFICATION: 938240001 PSK TRAY
 - STAND OFF TO SYSTEM BOARD 0.30 mm MIN
 - RECOMMENDED PCB THICKNESS: 1.6 mm
 - SHIELD: AVOID ROUTING TRACES
OR PLACING ANY VIAS BELOW THESE AREAS.
 - MATERIAL COMPLIANT TO RoHS DIRECTIVE 2002/95/EC
 - INSCRIPTION MARKED BY LASER:
1st: MOLEX
2nd: PART NUMBER
 - INSCRIPTION MARKED BY LASER:
DATE CODE (DAY/WEEK/YEAR)
 - PHY PIN LENGTH
 - SHIELD SOLDER TAB LENGTH

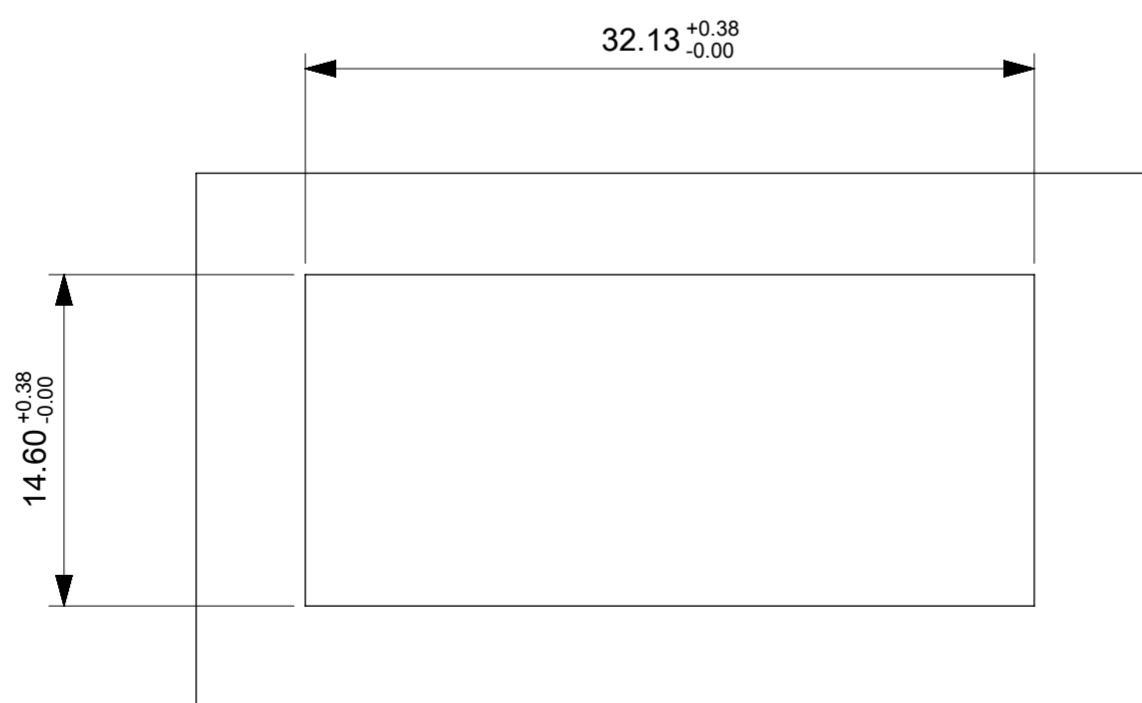


THIS DRAWING CONTAINS INFORMATION THAT IS PROPRIETARY TO MOLEX ELECTRONIC TECHNOLOGIES, LLC AND SHOULD NOT BE USED WITHOUT WRITTEN PERMISSION											
ORIGINAL RELEASE EC NO: 123046 DRWN: DSHEA CHKD: SMCGREEVY REV: APPR: DBYRNES	2017/10/17	2017/10/23	2017/11/07	GENERAL TOLERANCES (UNLESS SPECIFIED)	DIMENSION UNITS	SCALE	molex MXMAG DUAL PORT 8C GIG COMMERCIAL W/O LED				
	mm			3:1							
	ANGULAR TOL ± 2.0 °			DRWN BY	DATE	PRODUCT CUSTOMER DRAWING					
	4 PLACES ±			DSHEA	2017/05/31						
3 PLACES ±			CHK'D BY	DATE							
2 PLACES ± 0.1			SMCGREEVY	2017/10/23							
1 PLACE ± 0.2			APPR BY	DATE	SERIES	MATERIAL NUMBER	CUSTOMER				
0 PLACES ±			DBYRNES	2017/11/07	93826	SEE CHART	GENERAL MARKET				
DRAFT WHERE APPLICABLE MUST REMAIN WITHIN DIMENSIONS				DRAWING SIZE	THIRD ANGLE PROJECTION	DOCUMENT NUMBER	DOC TYPE	DOC PART	SHEET NUMBER		
A2				A2	Third Angle Projection Symbol	938260001	PSD	000	1 OF 3		

RECOMMENDED PCB LAYOUT
GIG VERSION W/O LED
COMPONENT SIDE
ALL DIMENSIONS REF DIMENSIONS



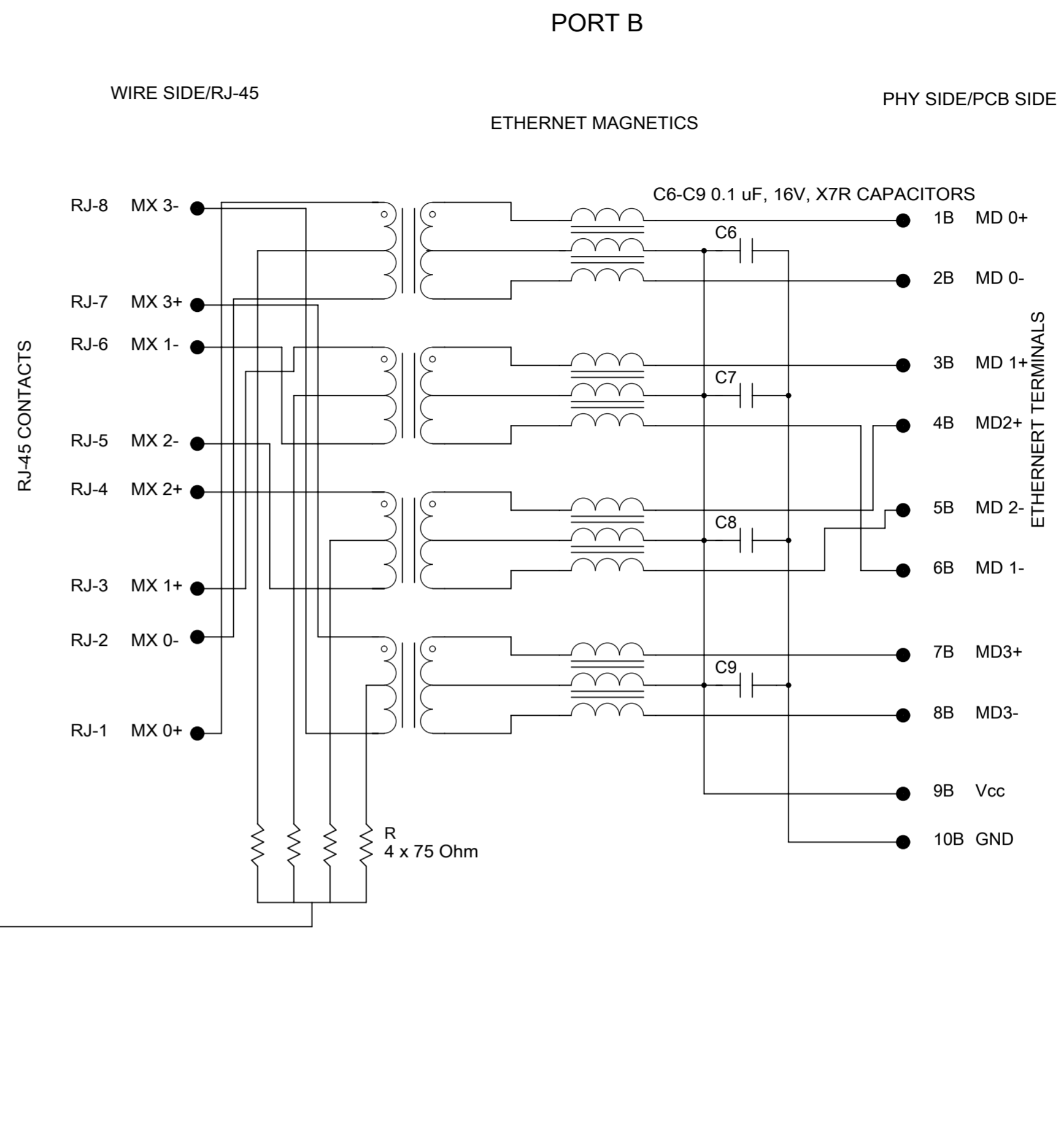
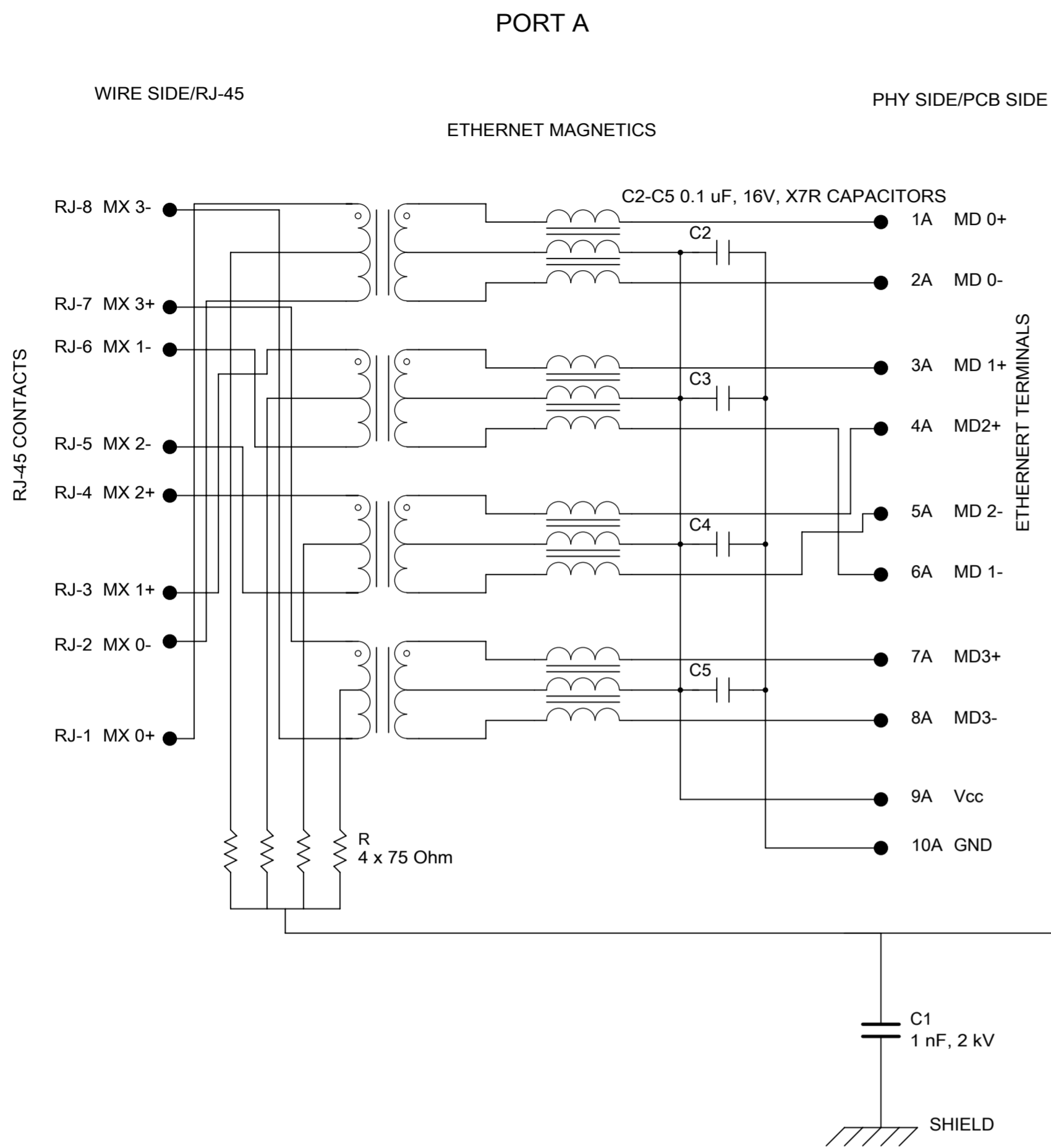
DETAIL A
SCALE 10:1



SUGGESTED PANEL CUTOUT

THIS DRAWING CONTAINS INFORMATION THAT IS PROPRIETARY TO MOLEX ELECTRONIC TECHNOLOGIES, LLC AND SHOULD NOT BE USED WITHOUT WRITTEN PERMISSION

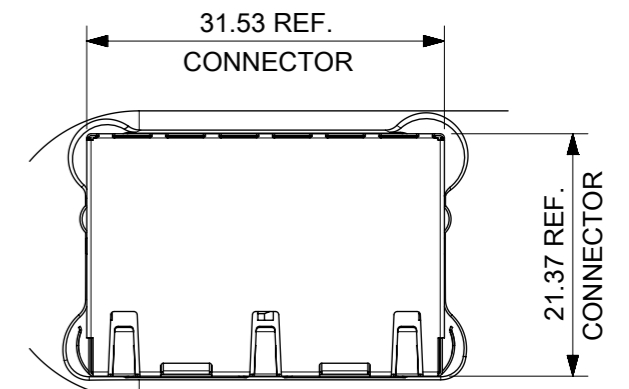
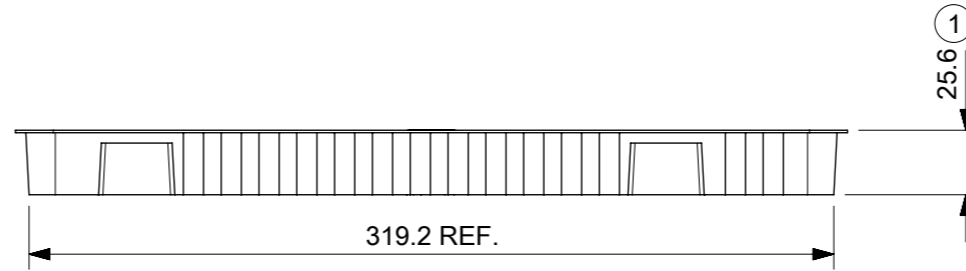
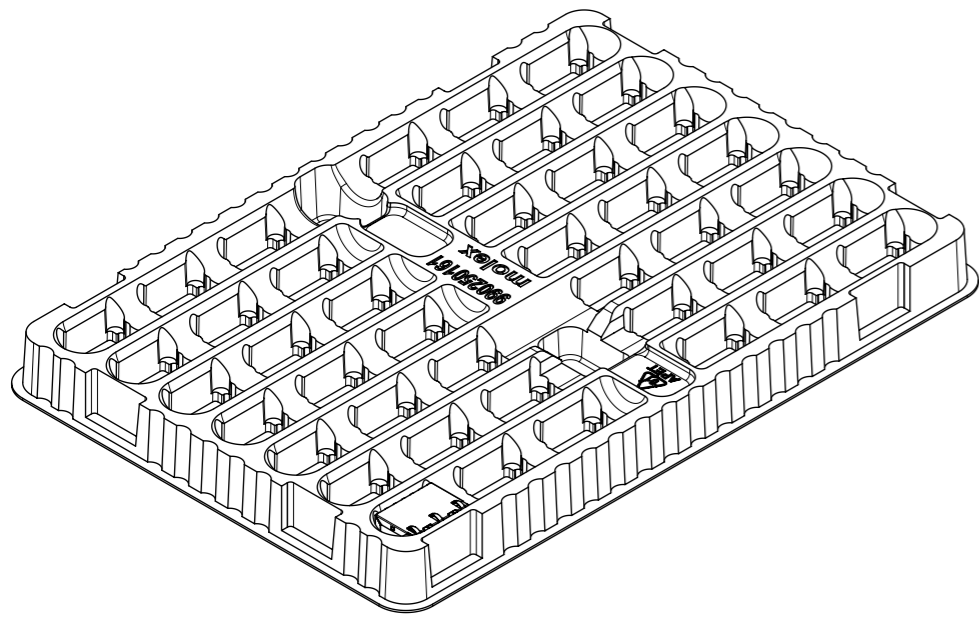
ORIGINAL RELEASE EC NO: 123046 DRWN: DSHEA CHKD: SMCGREEVY REV: A	2017/10/17	2017/10/23	2017/11/07	GENERAL TOLERANCES (UNLESS SPECIFIED)	DIMENSION UNITS	SCALE			
					mm	3:1			
	ANGULAR TOL ± 2.0 °				DRWN BY	DATE		MXMAG DUAL PORT 8C GIG COMMERCIAL W/O LED	
	4 PLACES	±			DSHEA	2017/05/31			
	3 PLACES	±			CHK'D BY	DATE			
2 PLACES	±	0.1	SMCGREEVY	2017/10/23					
1 PLACE	±	0.2	APPR BY	DATE					
0 PLACES	±		DBYRNES	2017/11/07	PRODUCT CUSTOMER DRAWING				
DRAFT WHERE APPLICABLE MUST REMAIN WITHIN DIMENSIONS				DRAWING SIZE	THIRD ANGLE PROJECTION	SERIES	MATERIAL NUMBER	CUSTOMER	
A				A2		93826	SEE SHEET 1	GENERAL MARKET	
						DOCUMENT NUMBER	DOC TYPE	DOC PART	SHEET NUMBER
						938260001	PSD	000	2 OF 3



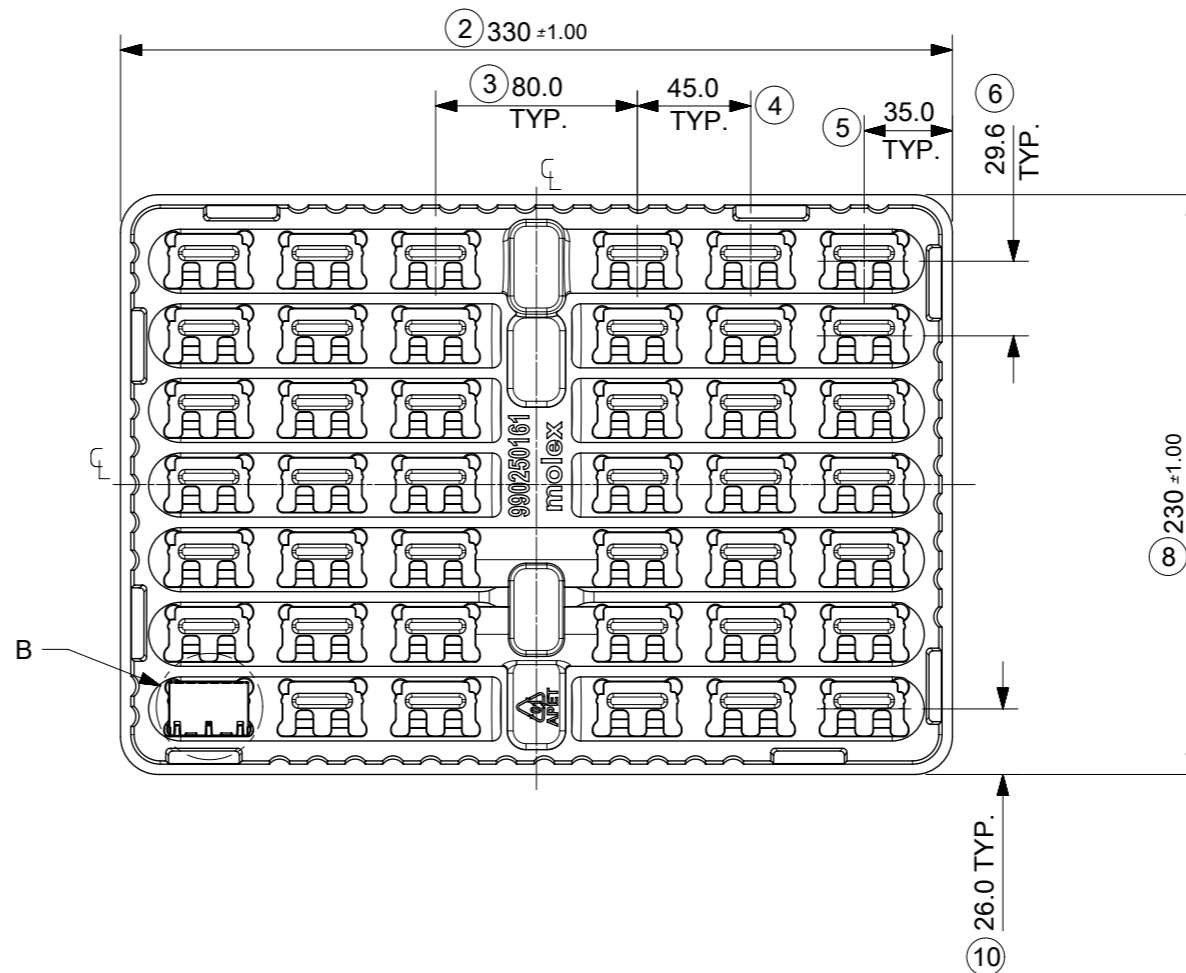
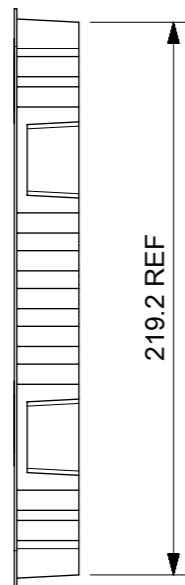
Description	Value	
OCL @100 kHz, 0.1 V, 8 mA DC bias (0°C to +70°C)	350 μH min.	
Turns ratio	1CT:1CT	
Transmission characteristics @ 25°C, all four pairs		
Insertion Loss		
Frequency f, (MHz)	Limits (dB max.)	Typical Values (dB max.)
1.0-9.9	0.4+0.1*log(f)	0.5 @ 10 MHz
10-49.9	0.5+0.3*log(f/10)	0.7 @ 50 MHz
50-79.9	1+1.4*log(f/80)	1.0 @ 80 MHz
80-100	1.3+3*log(f/100)	1.3 @ 100 MHz
Return Loss		
Frequency f, (MHz)	Limits (dB min.)	Typical Values (dB min.)
1.0-39.9	18	18 @ 40 MHz
40-100	12-20*log(f/80)	10 @ 100 MHz
CMR		
Frequency f, (MHz)	Limits (dB min.)	Typical Values (dB min.)
1.0-100	30	30 @ 100 MHz
NEXT		
Frequency f, (MHz)	Limits (dB min.)	Typical Values (dB min.)
1.0-39.9	35	35 @ 40 MHz
40-100	33-20*log(f/50)	27 @ 100 MHz
Isolation PHY to wire side	2.25 kV DC/60sec	

THIS DRAWING CONTAINS INFORMATION THAT IS PROPRIETARY TO MOLEX ELECTRONIC TECHNOLOGIES, LLC AND SHOULD NOT BE USED WITHOUT WRITTEN PERMISSION

ORIGINAL RELEASE EC NO: 123046 DRWN: DSHEA CHKD: SMCGREEVY APPR: DBYRNES	2017/10/17	2017/10/23	2017/11/07	GENERAL TOLERANCES (UNLESS SPECIFIED)	DIMENSION UNITS	SCALE		
				mm	1:1			
	ANGULAR TOL ± 2.0 °		DRWN BY	DATE	DSHEA 2017/05/31			MXMAG DUAL PORT 8C GIG COMMERCIAL W/O LED
	4 PLACES ±	CHK'D BY	DATE	SMCGREEVY 2017/10/23				
3 PLACES ±	APPR BY	DATE	DBYRNES 2017/11/07		PRODUCT CUSTOMER DRAWING			
2 PLACES ± 0.1	DRAFT WHERE APPLICABLE MUST REMAIN WITHIN DIMENSIONS		DRAWING SIZE	THIRD ANGLE PROJECTION	SERIES	MATERIAL NUMBER	CUSTOMER	
1 PLACE ± 0.2	A2		A2	THIRD ANGLE PROJECTION	93826	SEE SHEET 1	GENERAL MARKET	
0 PLACES ±					DOCUMENT NUMBER	DOC TYPE	DOC PART SHEET NUMBER	
					938260001	PSD	000 3 OF 3	



DETAIL B
SCALE 3:2



NOTES:

1. MATERIAL: PETA ANTISTATIC
2. THICKNESS: 0.9 mm REF
3. COLOUR: CLEAR
4. BOW 2 mm MAXIMUM PER 330 mm
5. TWIST 2 mm MAXIMUM PER 330 mm
6. TRAY PART NO. AND RECYCLE LOGO TO BE CLEARLY MARKED ON TRAY
RECYCLE LOGO SHOULD BE APPROPRIATE TO MATERIAL USED
7. WHERE RELEVANT, DIMENSIONS SHOULD BE SYMMETRICAL ABOUT THE CENTRELINE
8. GENERAL PROFILE TOLERANCE $\frac{\text{R}}{0.40}$ ON NON DIMENSIONED FEATURES
9. PACKAGING SPECIFICATION: 938240001 PSK

DIMENSION NUMBERS DELETED: 7, 9, 11, 12
LAST INSPECTION NUMBER USED: 10

THIS DRAWING CONTAINS INFORMATION THAT IS PROPRIETARY TO MOLEX ELECTRONIC TECHNOLOGIES, LLC AND SHOULD NOT BE USED WITHOUT WRITTEN PERMISSION

ORIGINAL RELEASE EC NO: 123046 DRWN: DSHEA CHK'D: SMCGREEVY APPR: DBYRNES	2017/10/17	2017/10/23	GENERAL TOLERANCES (UNLESS SPECIFIED) ANGULAR TOL ± 1.0 ° 4 PLACES ± 3 PLACES ± 2 PLACES ± 0.2 1 PLACE ± 0.5 0 PLACES ± DRAFT WHERE APPLICABLE MUST REMAIN WITHIN DIMENSIONS	DIMENSION UNITS	SCALE	molex [®]		
				mm	1:3			
				DRWN BY	DATE	MXMAG DUAL PORT TRAY		
				SMCGREEVY	2017/06/15			
		CHK'D BY	DATE	PRODUCT CUSTOMER DRAWING				
		SMCGREEVY	2017/10/23					
		APPR BY	DATE	SERIES	MATERIAL NUMBER	CUSTOMER		
		DBYRNES	2017/11/07	99025	990250150	GENERAL MARKET		
		DRAWING SIZE	THIRD ANGLE PROJECTION	DOCUMENT NUMBER		DOC TYPE	DOC PART	SHEET NUMBER
		A3		990250161		PSD	000	1 OF 1