

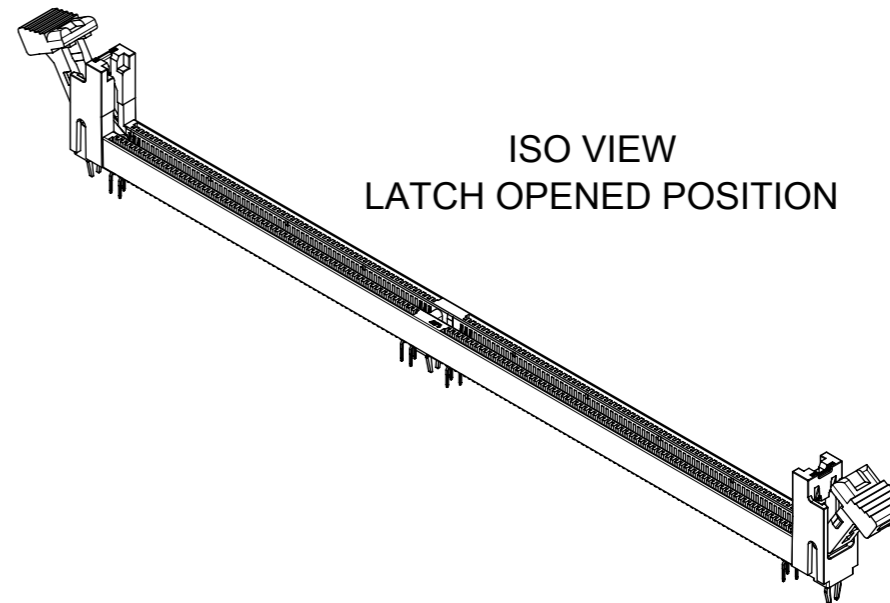
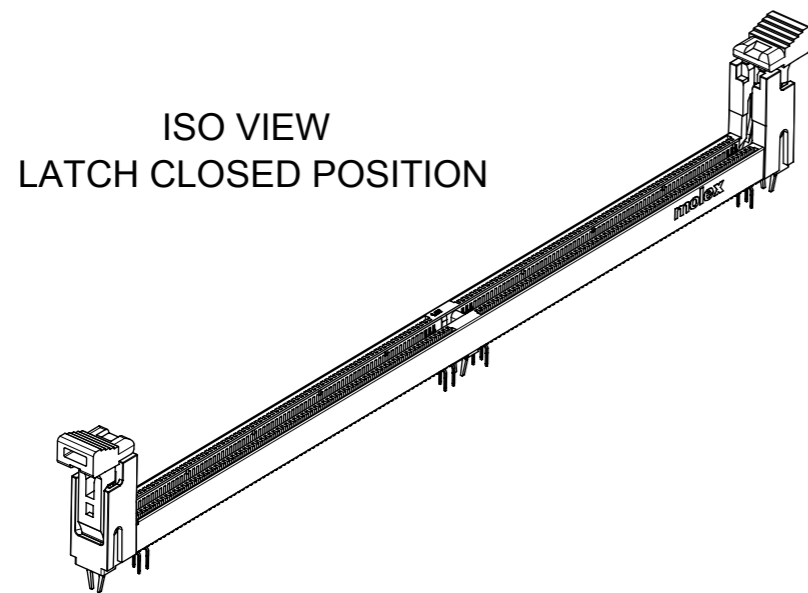
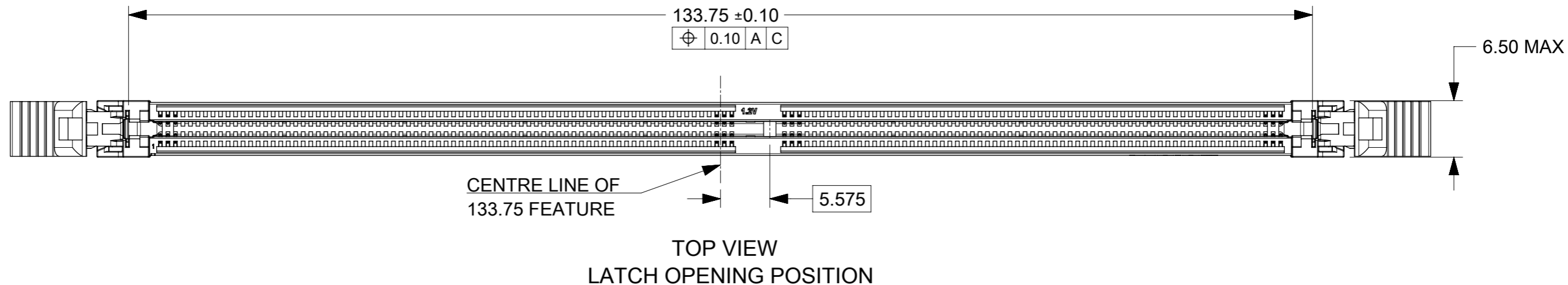
NOTES:

- MATERIAL : HOUSING - HALOGEN FREE HIGH TEMP POLYAMIDE, GLASS FILLED, UL94V-0.
COLOUR : SEE TABLE ON SHEET 5.
LATCH - HALOGEN FREE HIGH TEMP POLYAMIDE, GLASS FILLED, UL94V-0.
COLOUR : SEE TABLE ON SHEET 5.
TERMINAL : COPPER ALLOY.
FORKLOCK: COPPER ALLOY.
- FINISHES - SEE TABLE ON SHEET 5.
- PRODUCT SPECIFICATION : SEE TABLE ON SHEET 5.
- PACKAGING SPECIFICATION: PRODUCT SHALL BE PACKED IN TRAY, SEE SHEET 5
- CARD SLOT ACCEPTS 1.40±0.10MM MODULE THICKNESS (MEASURED OVER P.C. PADS).

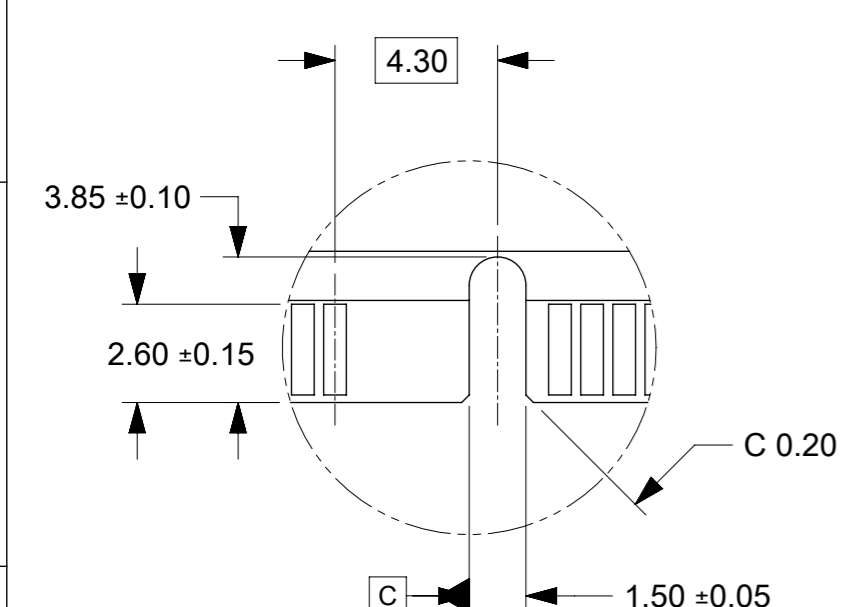
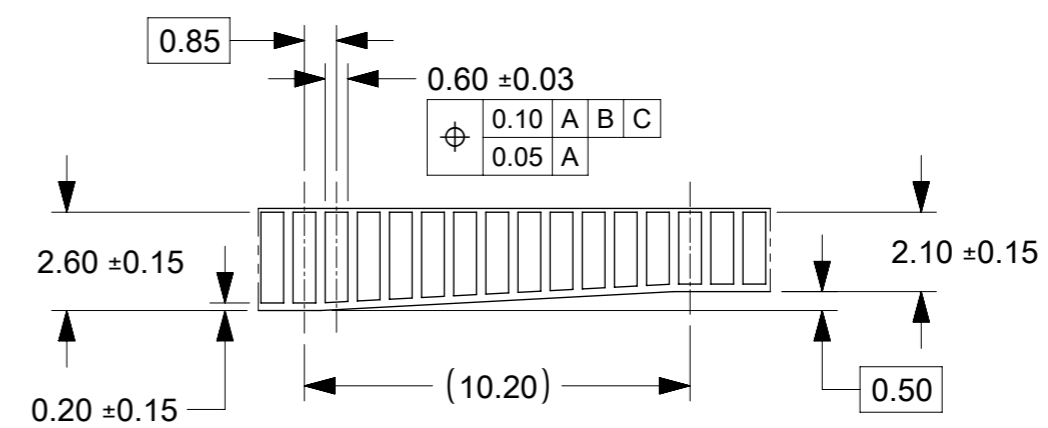
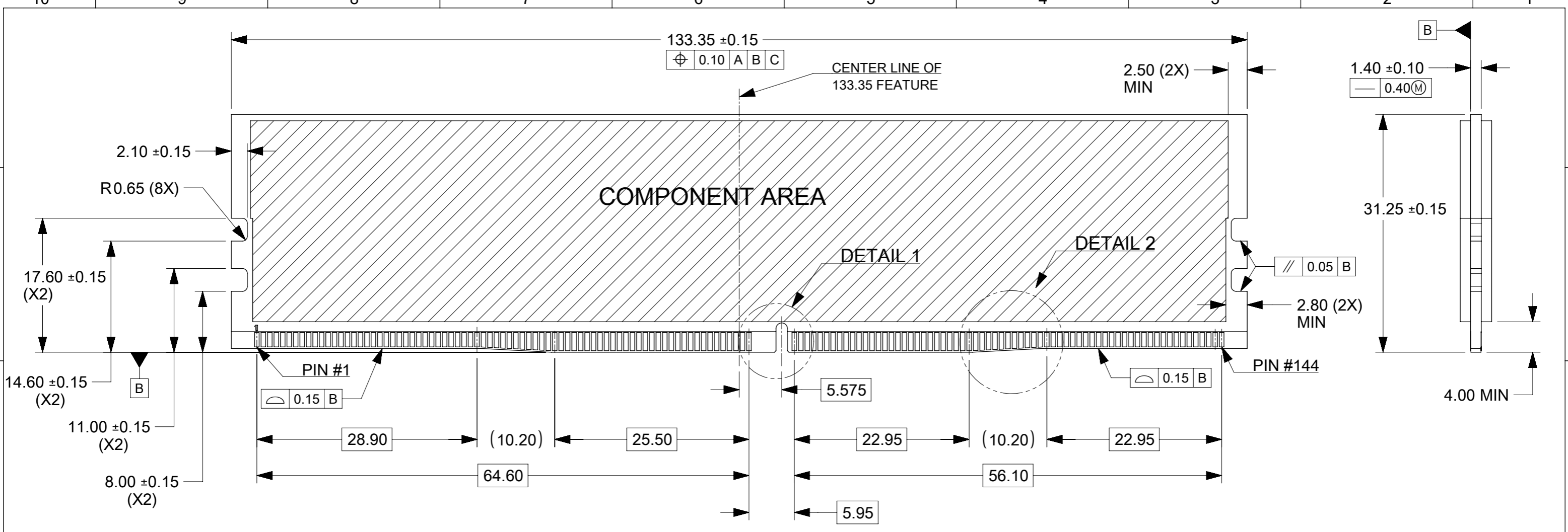
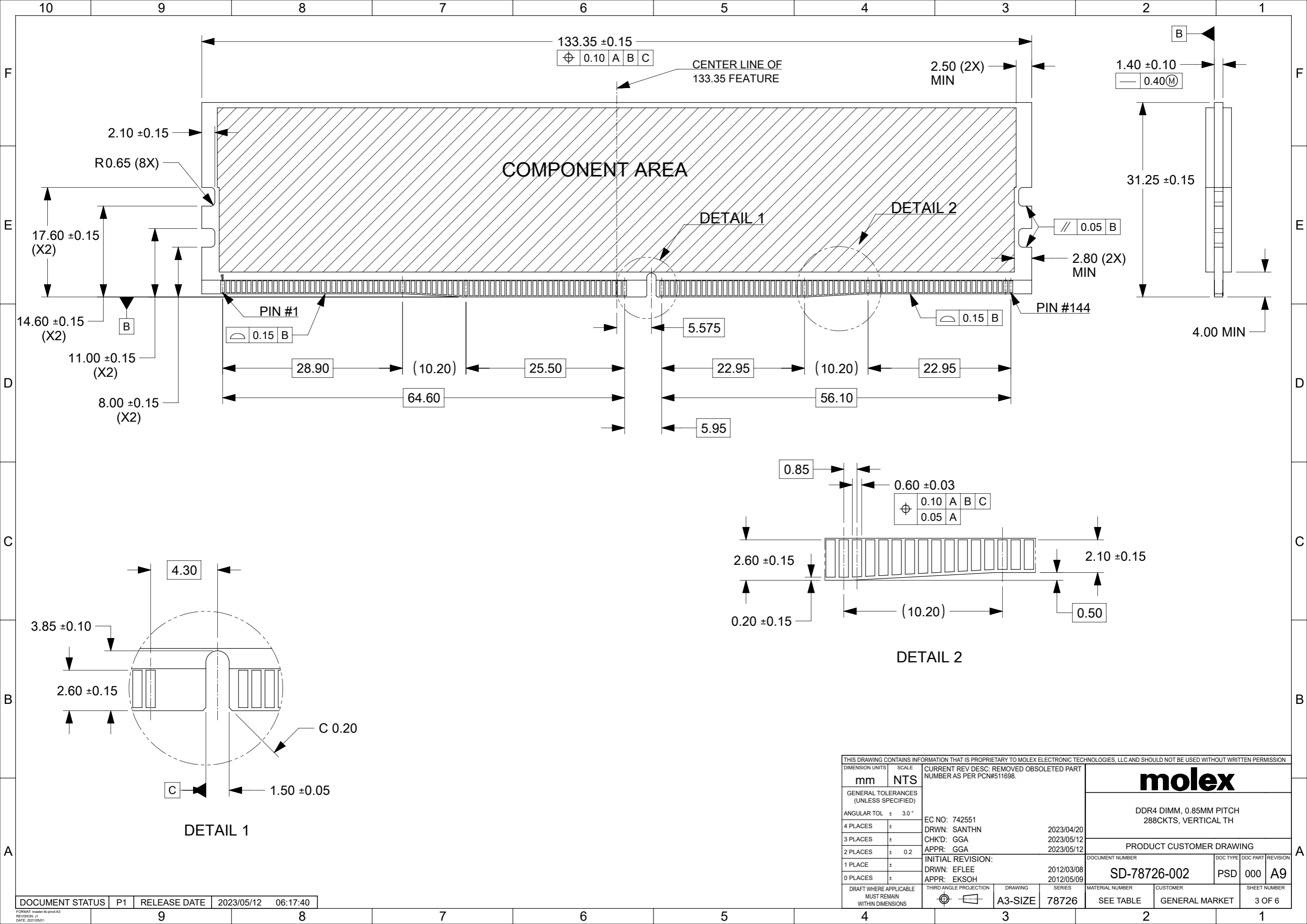
- △6 MOLEX LOGO, DATE & PART NO. INDICATED ON HOUSING.
 - △7 MODULE SEATING PLANE.
 - △8 KEEP OUT ZONE RESERVED FOR LATCH.
 - △9 KEEP OUT AREA IS THE AREA WHERE THE CONNECTOR (INCLUDES LATCHES IN OPENING POSITION) IS MOUNTED ON THE PCB.
- REFER TO AS-78726-001 FOR CONNECTOR APPLICATION GUIDELINE.
 - REFER TO AS-78726-002 FOR PCB ROUTING RECOMMENDATIONS.

DETAIL 5 : BUMPER ZONE

THIS DRAWING CONTAINS INFORMATION THAT IS PROPRIETARY TO MOLEX ELECTRONIC TECHNOLOGIES, LLC AND SHOULD NOT BE USED WITHOUT WRITTEN PERMISSION									
DIMENSION UNITS		SCALE		CURRENT REV DESC: REMOVED OBSOLETE PART NUMBER AS PER PCN#511698.					
mm		NTS		<p>DDR4 DIMM, 0.85MM PITCH 288CKTS, VERTICAL TH</p> <p>PRODUCT CUSTOMER DRAWING</p>					
GENERAL TOLERANCES (UNLESS SPECIFIED)									
ANGULAR TOL ± 3.0°									
4 PLACES ±		EC NO: 742551							
3 PLACES ±		DRWN: SANTHN 2023/04/20							
2 PLACES ± 0.2		CHK'D: GGA 2023/05/12							
1 PLACE ±		APPR: GGA 2023/05/12							
0 PLACES ±		INITIAL REVISION:		DOCUMENT NUMBER		DOC TYPE		DOC PART	
DRAFT WHERE APPLICABLE MUST REMAIN WITHIN DIMENSIONS		THIRD ANGLE PROJECTION		DRAWING		SERIES		MATERIAL NUMBER	
		A3-SIZE		78726		SEE TABLE		CUSTOMER	
						GENERAL MARKET		SHEET NUMBER	
						1 OF 6			



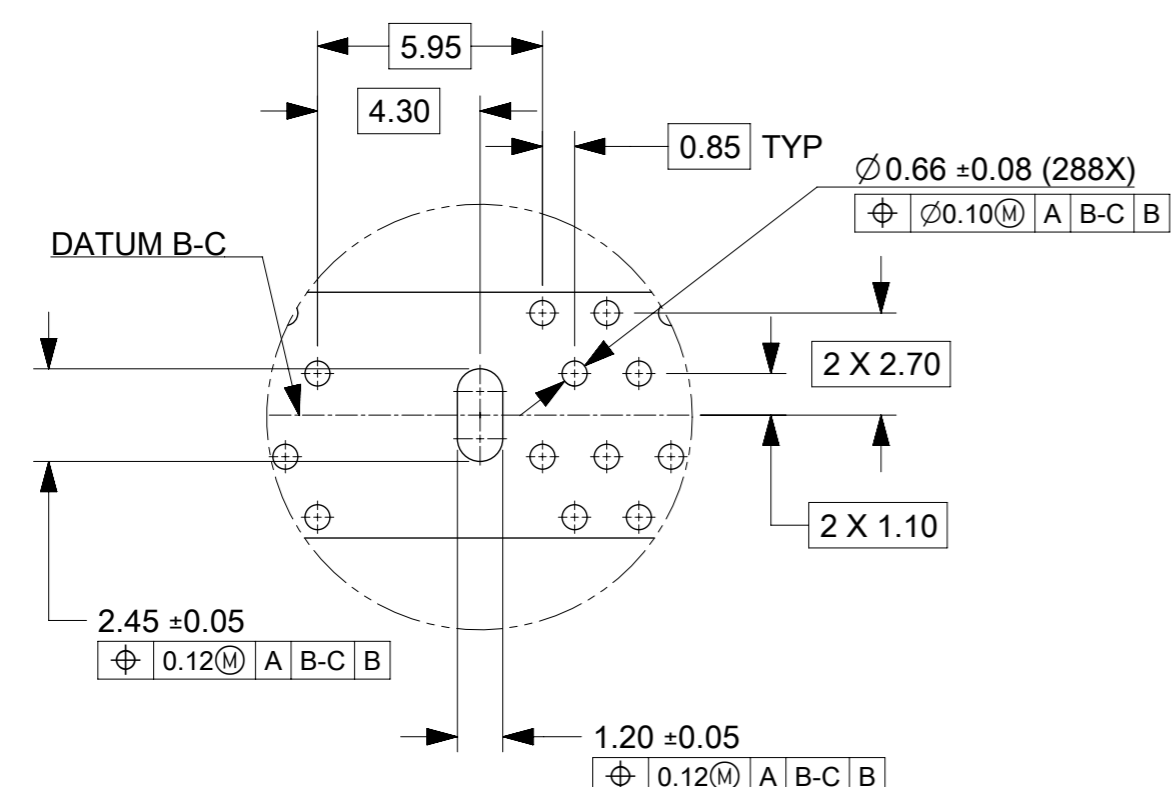
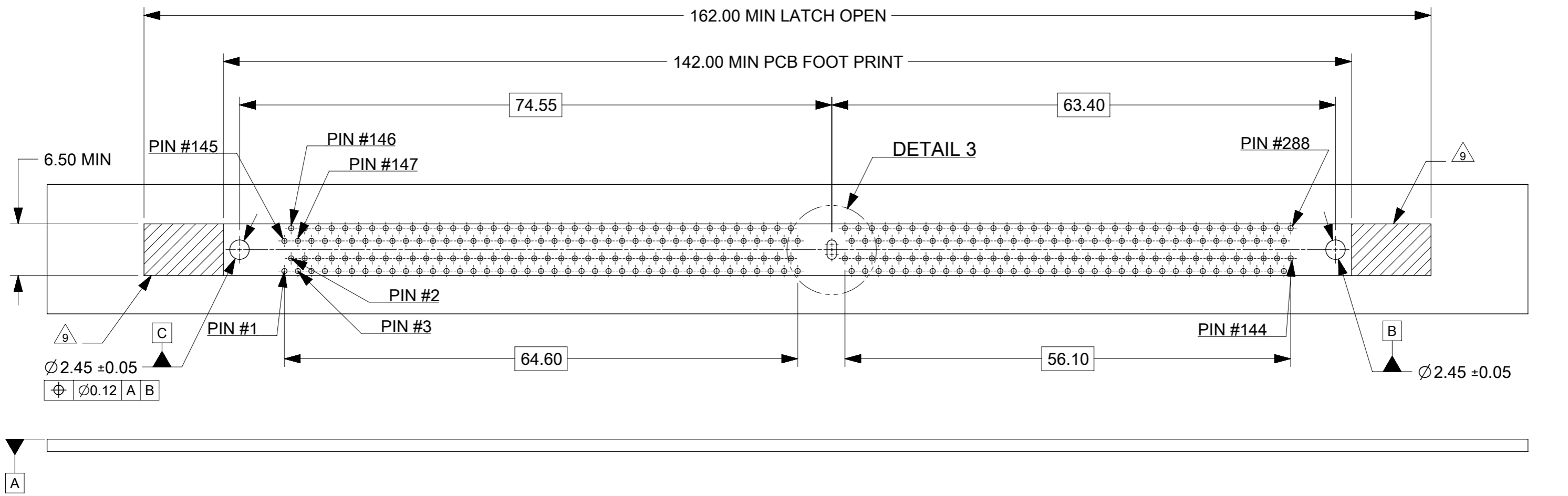
THIS DRAWING CONTAINS INFORMATION THAT IS PROPRIETARY TO MOLEX ELECTRONIC TECHNOLOGIES, LLC AND SHOULD NOT BE USED WITHOUT WRITTEN PERMISSION									
DIMENSION UNITS	SCALE	CURRENT REV DESC: REMOVED OBSOLETE PART NUMBER AS PER PCN#511698.							
mm	NTS								
GENERAL TOLERANCES (UNLESS SPECIFIED)									
ANGULAR TOL	± 3.0 °	DDR4 DIMM, 0.85MM PITCH 288CKTS, VERTICAL TH							
4 PLACES	±	EC NO: 742551 DRWN: SANTHN 2023/04/20 CHK'D: GGA 2023/05/12 APPR: GGA 2023/05/12							
3 PLACES	±	PRODUCT CUSTOMER DRAWING							
2 PLACES	± 0.2	INITIAL REVISION: DRWN: EFLEE 2012/03/08 APPR: EKSOH 2012/05/09							
1 PLACE	±	DOCUMENT NUMBER		DOC TYPE		DOC PART		REVISION	
0 PLACES	±	SD-78726-002		PSD		000		A9	
DRAFT WHERE APPLICABLE MUST REMAIN WITHIN DIMENSIONS		THIRD ANGLE PROJECTION	DRAWING	SERIES	MATERIAL NUMBER	CUSTOMER		SHEET NUMBER	
			A3-SIZE	78726	SEE TABLE	GENERAL MARKET		2 OF 6	



THIS DRAWING CONTAINS INFORMATION THAT IS PROPRIETARY TO MOLEX ELECTRONIC TECHNOLOGIES, LLC AND SHOULD NOT BE USED WITHOUT WRITTEN PERMISSION															
DIMENSION UNITS		SCALE		CURRENT REV DESC: REMOVED OBSOLETE PART NUMBER AS PER PCN#511698.											
mm		NTS		 DDR4 DIMM, 0.85MM PITCH 288CKTS, VERTICAL TH											
GENERAL TOLERANCES (UNLESS SPECIFIED)										PRODUCT CUSTOMER DRAWING					
ANGULAR TOL ± 3.0°										EC NO: 742551 DRWN: SANTHN 2023/04/20 CHK'D: GGA 2023/05/12 APPR: GGA 2023/05/12					
4 PLACES ±										INITIAL REVISION:					
3 PLACES ±										DRWN: EFLEE 2012/03/08 APPR: EKSOH 2012/05/09					
2 PLACES ± 0.2				DOCUMENT NUMBER		DOC TYPE		DOC PART		REVISION					
1 PLACE ±				SD-78726-002		PSD		000		A9					
0 PLACES ±				MATERIAL NUMBER		CUSTOMER		SHEET NUMBER							
DRAFT WHERE APPLICABLE MUST REMAIN WITHIN DIMENSIONS				THIRD ANGLE PROJECTION		DRAWING		SERIES		SEE TABLE					
						A3-SIZE		78726		GENERAL MARKET					

DOCUMENT STATUS	P1	RELEASE DATE	2023/05/12	06:17:40
-----------------	----	--------------	------------	----------

10 9 8 7 6 5 4 3 2 1



DETAIL 3

THIS DRAWING CONTAINS INFORMATION THAT IS PROPRIETARY TO MOLEX ELECTRONIC TECHNOLOGIES, LLC AND SHOULD NOT BE USED WITHOUT WRITTEN PERMISSION									
DIMENSION UNITS		SCALE		CURRENT REV DESC: REMOVED OBSOLETE PART NUMBER AS PER PCN#511698.					
mm		NTS							
GENERAL TOLERANCES (UNLESS SPECIFIED)									
ANGULAR TOL				± 3.0°		PRODUCT CUSTOMER DRAWING			
4 PLACES		±		EC NO: 742551		2023/04/20		DOCUMENT NUMBER	
3 PLACES		±		DRWN: SANTHN		2023/05/12		SD-78726-002	
2 PLACES		± 0.2		CHK'D: GGA		2023/05/12		PSD 000 A9	
1 PLACE		±		APPR: GGA		2023/05/12		DOC TYPE DOC PART REVISION	
0 PLACES		±		INITIAL REVISION:		2012/03/08		MATERIAL NUMBER	
				DRWN: EFLEE		2012/05/09		CUSTOMER	
				APPR: EKSOH				GENERAL MARKET	
DRAFT WHERE APPLICABLE MUST REMAIN WITHIN DIMENSIONS		THIRD ANGLE PROJECTION		DRAWING		SERIES		SHEET NUMBER	
				A3-SIZE		78726		4 OF 6	

DOCUMENT STATUS	P1	RELEASE DATE	2023/05/12	06:17:40
-----------------	----	--------------	------------	----------

9 8 7 6 5 4 3 2 1

F
E
D
C
B
A

CKT SIZE	ASSEMBLY PART NO.	HOUSING COLOR	LATCH COLOR	DIM "P"	RECOMMENDED PCB THICKNESS	PLATING OPTION		PRODUCT SPEC. NO.	PACKAGING SPEC. NO.
						TERMINAL	FORKLOCK		
288	78726-1051	BLACK	BLACK	2.10	1.57	0.76 MICROMETER (30 MICROINCH) MIN GOLD ON CONTACT	1 MICROMETER (40 MICROINCH) MIN TIN OVERALL (PRE-PLATED)	PS-78726-001	PK-78726-001
	78726-1039			2.40	1.57				
	78726-1002			2.67	1.57				
	78726-1003			3.18	2.36				
	78726-1026			3.50	3.00				
	78726-1040	BLACK	WHITE	2.40	1.57				
	78726-1004			2.67	1.57				
	78726-1005			3.18	2.36				
	78726-1041	WHITE	BLACK	2.40	1.57				
	78726-1054	WHITE	WHITE	2.10	1.57				
	78726-1042			2.40	1.57				
	78726-1029			3.50	3.00				
	78726-1055			2.10	1.57				
	78726-1043	BLUE	BLUE	2.40	1.57				
	78726-1010			2.67	1.57				
	78726-1011			3.18	2.36				
	78726-1030			3.50	3.00				
	78726-1023			BLUE	WHITE				3.18
	78726-1064	YELLOW	WHITE	2.40	1.57				
	78726-0081	BLACK	BLACK	3.18	2.36				
78726-3005	WHITE			3.18	2.36				
78726-3052				2.10	1.57				
78726-4039				BLACK	2.40	1.57			
78726-4040				WHITE	2.40	1.57			

THIS DRAWING CONTAINS INFORMATION THAT IS PROPRIETARY TO MOLEX ELECTRONIC TECHNOLOGIES, LLC AND SHOULD NOT BE USED WITHOUT WRITTEN PERMISSION

DIMENSION UNITS	SCALE	CURRENT REV DESC: REMOVED OBSOLETE PART NUMBER AS PER PCN#511698.	molex					
mm	NTS							
GENERAL TOLERANCES (UNLESS SPECIFIED)		EC NO: 742551 DRWN: SANTHN 2023/04/20 CHK'D: GGA 2023/05/12 APPR: GGA 2023/05/12	DDR4 DIMM, 0.85MM PITCH 288CKTS, VERTICAL TH					
ANGULAR TOL	± 3.0 °		PRODUCT CUSTOMER DRAWING					
4 PLACES	±		DOCUMENT NUMBER					
3 PLACES	±		SD-78726-002					
2 PLACES	± 0.2		DOC TYPE					
1 PLACE	±		PSD					
0 PLACES	±	DOC PART						
DRAFT WHERE APPLICABLE MUST REMAIN WITHIN DIMENSIONS		THIRD ANGLE PROJECTION		DRAWING	SERIES	MATERIAL NUMBER	CUSTOMER	REVISION
				A3-SIZE	78726	SEE TABLE	GENERAL MARKET	A9
								SHEET NUMBER
								5 OF 6

CKT SIZE	ASSEMBLY PART NO.	HOUSING COLOR	LATCH COLOR	DIM "P"	RECOMMENDED PCB THICKNESS	PLATING OPTION		PRODUCT SPEC. NO.	PACKAGING SPEC. NO.
						TERMINAL	FORKLOCK		
288	78726-1045	BLACK	BLACK	2.40	1.57	0.38 MICROMETER (15 MICROINCH) MIN GOLD ON CONTACT	1 MICROMETER (40 MICROINCH) MIN TIN OVERALL (PRE-PLATED)	PS-78726-002	PK-78726-001
	78726-1012			2.67	1.57				
	78726-1013			3.18	2.36				
	78726-1032			3.50	3.00				
	78726-1046	BLACK	WHITE	2.40	1.57				
	78726-1033			3.50	3.00				
	78726-1059	WHITE	BLACK	2.10	1.57				
	78726-1047			2.40	1.57				
	78726-1048	WHITE	WHITE	2.40	1.57				
	78726-1018			2.67	1.57				
	78726-1035			3.50	3.00				
	78726-1049			2.40	1.57				
	78726-1020	BLUE	BLUE	2.67	1.57				
	78726-1021			3.18	2.36				
	78726-1036	BLUE	WHITE	3.50	3.00				
	78726-1050			2.40	1.57				
	78726-1037			3.50	3.00				
	78726-1072			3.50	3.00				
	78726-3012	BLACK	BLACK	2.67	1.57				
	78726-3032			3.50	3.00				
78726-3020	BLUE	BLUE	2.67	1.57					
78726-3036			3.50	3.00					
									787260003

THIS DRAWING CONTAINS INFORMATION THAT IS PROPRIETARY TO MOLEX ELECTRONIC TECHNOLOGIES, LLC AND SHOULD NOT BE USED WITHOUT WRITTEN PERMISSION

DIMENSION UNITS	SCALE	CURRENT REV DESC: REMOVED OBSOLETE PART NUMBER AS PER PCN#511698.		molex				
mm	NTS							
GENERAL TOLERANCES (UNLESS SPECIFIED)				DDR4 DIMM, 0.85MM PITCH 288CKTS, VERTICAL TH				
ANGULAR TOL	± 3.0 °			PRODUCT CUSTOMER DRAWING				
4 PLACES	±	EC NO: 742551						
3 PLACES	±	DRWN: SANTHN	2023/04/20					
2 PLACES	± 0.2	CHK'D: GGA	2023/05/12					
1 PLACE	±	APPR: GGA	2023/05/12					
0 PLACES	±	INITIAL REVISION:		DOCUMENT NUMBER				
DRAFT WHERE APPLICABLE MUST REMAIN WITHIN DIMENSIONS		DRWN: EFLEE	2012/03/08	SD-78726-002		DOC TYPE	DOC PART	REVISION
		APPR: EKSOH	2012/05/09			PSD	000	A9
		THIRD ANGLE PROJECTION	DRAWING	SERIES	MATERIAL NUMBER	CUSTOMER		SHEET NUMBER
			A3-SIZE	78726	SEE TABLE	GENERAL MARKET		6 OF 6