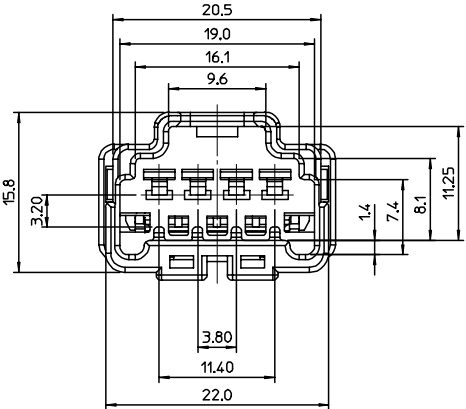
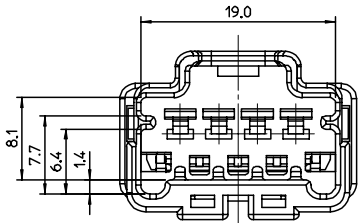


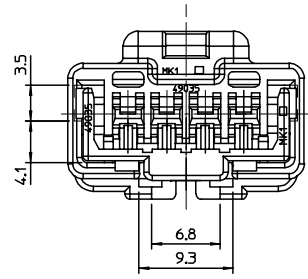
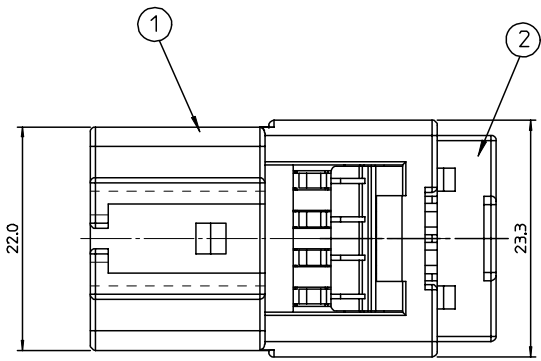
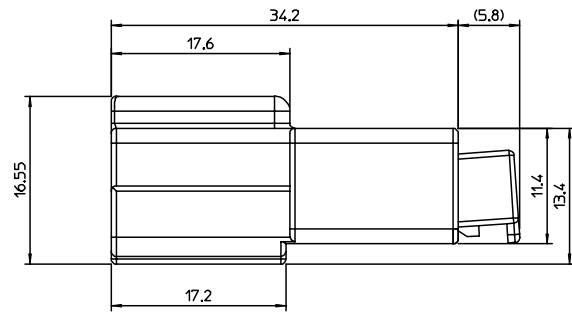
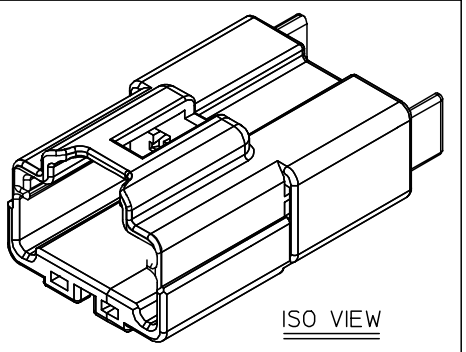
DWG. NO. SD-49035-001  
 SIMILAR ITEM  
 PROJECT NO.  
 DO NOT SCALE DRAWING  
 DIMENSION IN METRIC



49035-0410/0415



49035-0417



<NOTE>

1. MATERIAL : SEE TABLE
2. MATING CONNECTOR : 49036-0410/0417
3. APPLICABLE TERMINAL : 35420-9\*02

NO.	PART NO.	PART NAME	MATERIAL	COLOR
1	(A) 49035-0490	.090 M/HSG 4P	POLYESTER	NATURAL
	(B) 49035-0495	.090 M/HSG 4P	POLYESTER	GRAY
	(C) 49035-0497	.090 M/HSG 4P	POLYESTER	BROWN
	(D) 49035-0481	.090 M/TPA 4P	POLYESTER	BLACK

MATERIAL NO.	ENG. NO.	REMARKS
490350410	49035-0410	(A) + (D)
490350415	49035-0415	(B) + (D)
490350417	49035-0417	(C) + (D)

NEW RELEASED ECN NO. KOR2004-0092 DRWNS.MKIM 04/01/27 CHK:K.B.C.YOON 04/01/27 APPR:C.W.LEE	QUALITY SYMBOLS MAJOR CRITICAL C	GENERAL TOLERANCES: (UNLESS SPECIFIED)		SCALE 2:1	DESIGN UNITS <input checked="" type="checkbox"/> mm <input type="checkbox"/> INCH	THIRD ANGLE PROJECTION <input type="checkbox"/> THIRD ANGLE <input checked="" type="checkbox"/> FIRST ANGLE	DIMENSIONS: <input type="checkbox"/> mm <input type="checkbox"/> INCH <input checked="" type="checkbox"/> mm ONLY		SHT	REV
		4 PLACES ±0.	±-	DRAWN BY & DATE S.M.KIM 03/12/10	TITLE: .090-II W/W MALE HSG ASS'Y 4P			MOLEX INCORPORATED	SHEET NO. 1 OF 1	SIZE B
		3 PLACES ±0.	±-	CHECKED BY & DATE B.C.YOON 03/12/10	MATERIAL NO. SEE TABLE					
		2 PLACES ±0.20	±-	APPROVED BY & DATE C.W.LEE 03/12/10	CAD FILENAME SD49035.MI			THIS DRAWING CONTAINS INFORMATION THAT IS PROPRIETARY TO MOLEX INCORPORATED AND SHOULD NOT BE USED WITHOUT WRITTEN PERMISSION.		KOREA