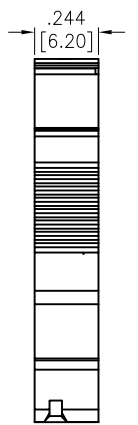
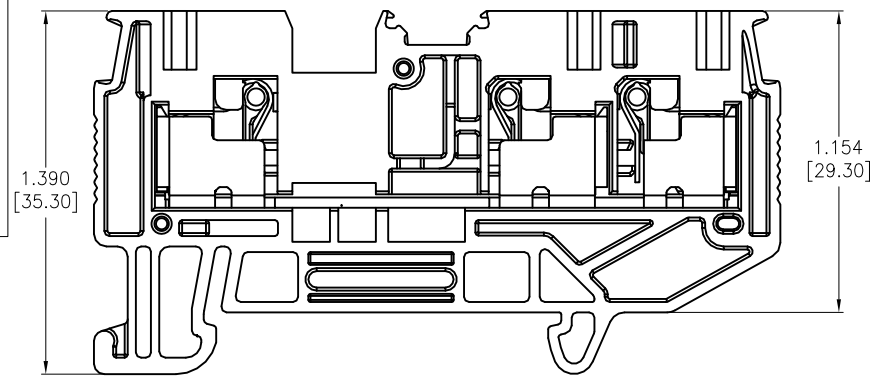
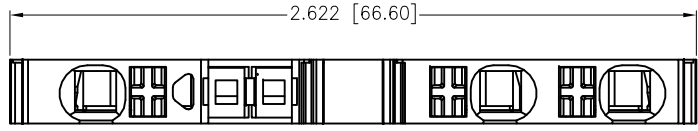
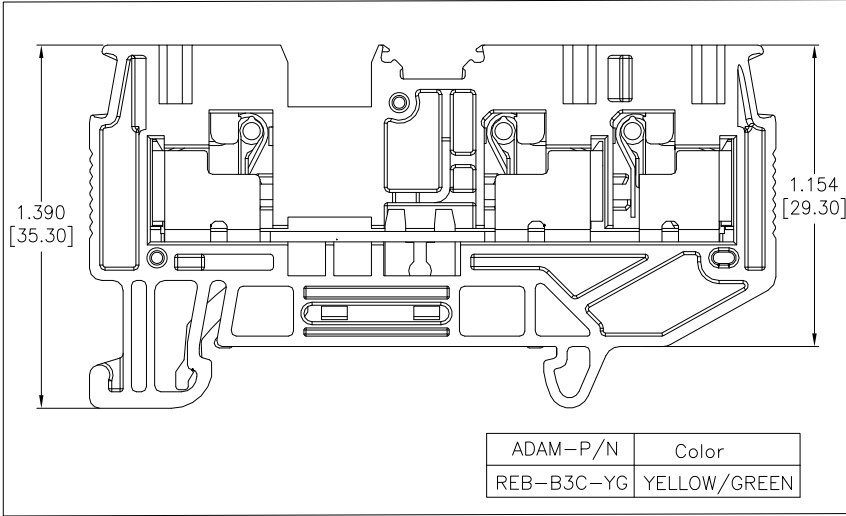


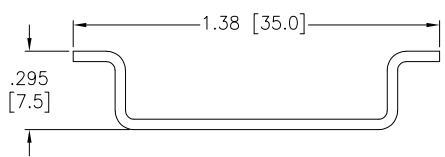
6	5	4	3	2	1		
APPROVED: _____			Rev	AWO #	Description	Date	Appr
DATE: _____ TITLE: _____			-		RELEASED	10/7/22	



SPECIFICATIONS:
Material:
Insulator: PA66, rated UL 94V-0
Insulator Color: See Chart
Contacts: Copper Alloy, Tin Plated
Electrical:
Voltage rating: 600 VAC
Current rating: 30 Amp
Dielectric withstanding voltage: 2200 VAC for 1 minute
Mechanical:
Wire range : 24-10 #AWG
Flexible: 0.2-4.0
Stripping Length: 10-12
Temperature Rating:
Operating temperature: -40°C to +105°C
Environmental:
Lead free, RoHS compliant.



RECOMMENDED RAIL SIZE
35.0mm X 7.5mm



ADAM-P/N	Color
REB-B3C-OR	ORANGE
REB-B3C-BU	BLUE
REB-B3C-GY	GRAY
REB-B3C-YG	YELLOW/GREEN

UNLESS OTHERWISE SPECIFIED ALL DIMENSIONS ARE INCHES [MM]. TOLERANCES: EXCEPT AS NOTED

INCHES		HOLES	
.x	± .10	∅x	± .10
.xx	± .020	∅xx	± .015
.xxx	± .015	∅xxx	± .010

DRAWN	JJ	10/7/22
CHECKED	RC	10/7/22
APPROVED		

THIS DRAWING CONTAINS INFORMATION THAT IS PROPRIETARY AND SHOULD NOT BE USED WITHOUT PRIOR WRITTEN PERMISSION FROM ADAM TECH

ADAM TECH 909 Rahway Avenue,
Union, NJ 07083
Phone: 908-687-5000
Fax: 908-687-5710

TITLE DIN RAIL TERMINAL BLOCKS, GUV 3 HOLE, 4.0 FLEXIBLE		
SIZE X	PART NO. REB-B3C-XX	REV. -
REF: S00067C	SCALE: NTS	SHEET 1 OF 1