

## RF CHARACTERISTICS

Frequency range : **0 - 40 GHz**  
Impedance : **50 Ohms**

| Frequency (GHz)    | DC - 6         | 6 - 12.4       | 12.4 - 18      | 18 - 26.5      | 26.5 - 40      |
|--------------------|----------------|----------------|----------------|----------------|----------------|
| VSWR max           | <b>1.30</b>    | <b>1.40</b>    | <b>1.50</b>    | <b>1.70</b>    | <b>1.90</b>    |
| Insertion loss max | <b>0.30 dB</b> | <b>0.40 dB</b> | <b>0.50 dB</b> | <b>0.70 dB</b> | <b>0.80 dB</b> |
| Isolation min      | <b>70 dB</b>   | <b>60 dB</b>   | <b>60 dB</b>   | <b>55 dB</b>   | <b>50 dB</b>   |
| Average power (*)  | <b>80 W</b>    | <b>60 W</b>    | <b>50 W</b>    | <b>20 W</b>    | <b>10 W</b>    |

## ELECTRICAL CHARACTERISTICS

Actuator : **NORMALLY OPEN**  
Nominal current \*\* : **250 mA**  
Actuator voltage (Vcc) : **12V (10.2 to 13V)**  
Terminals : **solder pins (250°C max. / 30 sec.)**  
TTL inputs (E) - High level : **2.2 to 5.5 V / 800µA at 5.5 V**  
- Low level : **0 to 0.8 V / 20µA at 0.8 V**

## MECHANICAL CHARACTERISTICS

Connectors : **SMA 2.9 female per MIL-C 39012**  
Life : **2 million cycles**  
Switching Time\*\*\* : **< 10 ms**  
Construction : **Splashproof**  
Weight : **< 100 g**

## ENVIRONMENTAL CHARACTERISTICS

Operating temperature range : **-40°C to +85°C**  
Storage temperature range : **-55°C to +85°C**

(\* Average power at 25°C per RF Path)

(\*\* At 25° C ±10%)

(\*\*\* Nominal voltage ; 25° C)



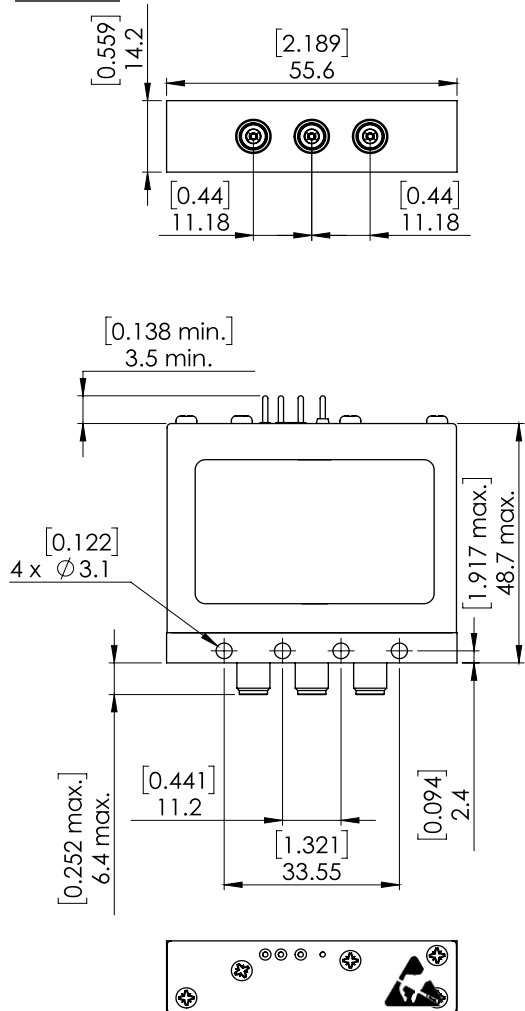
PAGE 2/2

ISSUE 09-03-21

SERIE : SPDT ZC

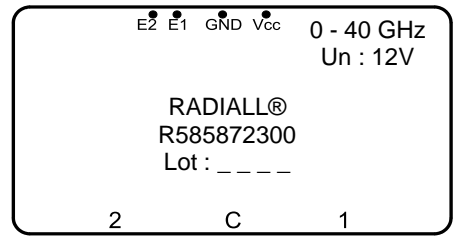
PART NUMBER : R585872300

**DRAWING**



General tolerances : ±0,5 mm [0,02 in]

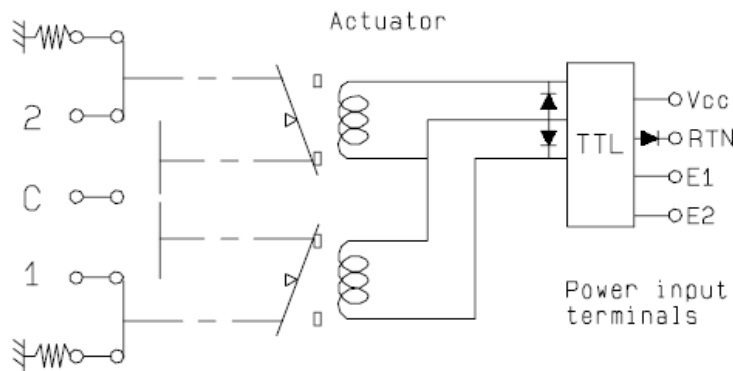
**LABEL**



**SCHEMATIC DIAGRAM**

RF input

50Ω Termination



50Ω Termination

| TTL input   | RF Continuity |
|-------------|---------------|
| E1=1 / E2=0 | C↔1 / 2↔50Ω   |
| E1=0 / E2=1 | C↔2 / 1↔50Ω   |
| E1=0 / E2=0 | 1↔50Ω / 2↔50Ω |
| E1=1 / E2=1 | Forbidden     |