

6

5

4

3

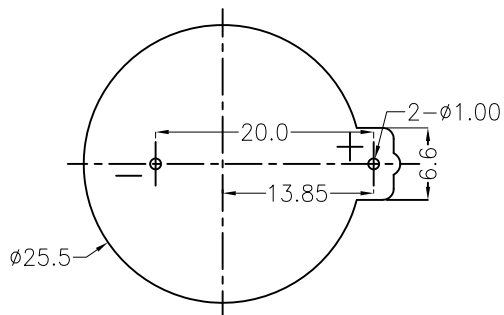
2

1

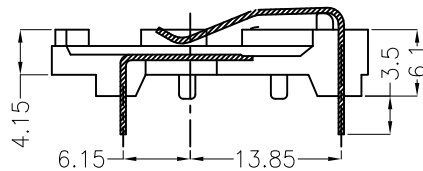
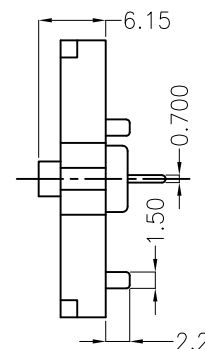
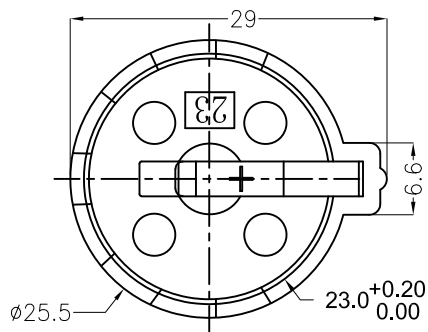
APPROVED: _____

DATE: _____ TITLE: _____

Rev	AWO #	Description	Date	Appr
-		RELEASED	1/11/17	
A		UPDATE DRAWING	4/24/20	OW/EY



RECOMMENDED P.C.B LAYOUT



SPECIFICATIONS:

Material:
 Insulator: PBT, Glass Fibre rated UL 94V-0
 Insulator color: Black
 Contacts: Brass, Tin plated
 Electrical:
 Contact resistance: 30 mohms max
 Insulation resistance: 1,000 Mohms min
 Dielectric voltage: 500 VAC on Sec level
 Temperature Rating:
 Operating temperature: -25°C to +85°C
 Environmental:
 Lead free, RoHS compliant



UNLESS OTHERWISE SPECIFIED ALL DIMENSIONS ARE MILLIMETERS TOLERANCES: EXCEPT AS NOTED MM ANGLES X ± 0.30 X ± 1° X.X ± 0.25 X.X ± 0.5° X.XX ± 0.20 X.XXX ± 0.10		ADAM TECH INTERCONNECTS		909 Rahway Avenue, Union, NJ 07083 Phone: 908-687-5000 Fax: 908-687-5710	
APPROVALS		DATE		TITLE	
DRAWN	AY	1/11/17		BATTERY HOLDER, PCB TERMINALS FOR ONE "COIN" CELL, CR 2330	
CHECKED	CH	1/11/17		SIZE	PART NO.
APPROVED				X	BH-35A-1
		REF:	S00136C	SCALE:	NTS
				SHEET 1 OF 1	

6

5

4

3

2

1