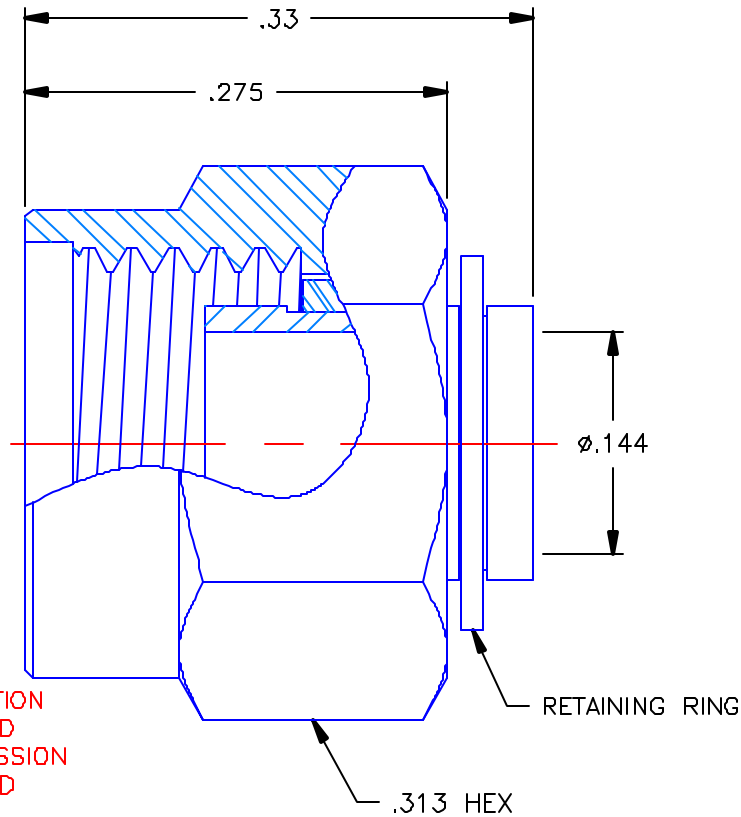


REVISIONS			
REV	DESCRIPTION	DATE	APPROVED
B	ECO #5161	10/28/03	A.D.M.



PROPRIETARY INFORMATION
NOT TO BE RELEASED
WITHOUT WRITTEN PERMISSION
FROM AN AUTHORIZED
REPRESENTATIVE OF
APPLIED ENGINEERING PRODUCTS


NOTES: CONFORMS TO MIL-C-39012 SMA SERIES

MATERIALS:

1. BODY & COUPLING NUT = STAINLESS STEEL PER ASTM A582, ALLOY 303, CONDITION "A".
2. RETAINING RING = BERYLLIUM COPPER PER ASTM B196, ALLOY C17300, TEMPER TD04.
3. GASKET = SILICONE RUBBER PER ZZ-R-765, CLASS 2B, GRADE 65-75.

FINISHES:

1. BODY = GOLD PLATE PER MIL-G-45204, TYPE II, CLASS 0, GRADE C, OVER .000050 TO .00010 STRESS FREE NICKEL PER QQ-N-290.
2. COUPLING NUT = PASSIVATE QQ-P-35, TYPE VI.
3. RETAINING RING = NICKEL PLATE PER QQ-N-290, CLASS 1, GRADE G, EXCEPT .0001 TO .0002 THICK OVER .00005 TO .0001 THICK COPPER PER MIL-C-14550.

UNLESS OTHERWISE SPECIFIED DIMENSIONS ARE IN INCHES TOLERANCES ON	DWN. A D.M.	DATE 10/27/03		APPLIED ENGINEERING PRODUCTS	
	CHKD: D.N.	DATE 10/28/03		104 John W. Murphy Dr. New Haven, CT 06513	
DECIMAL	ANGLE	APVD: D.J.C.	DATE 10/28/03	SMA STRAIGHT PLUG DIRECT SOLDER TYPE FOR .141 S/R CABLE	
REFERENCE:	MATERIALS & FINISHES: SEE NOTES		SIZE A	FSCM NO. 19505	DWG NO. 9301-1063-009
ORIGINATOR: D.N. DATE: 01/09/90			SCALE 8:1	REV B	
					SHEET 1 OF 1

9301-1063-009