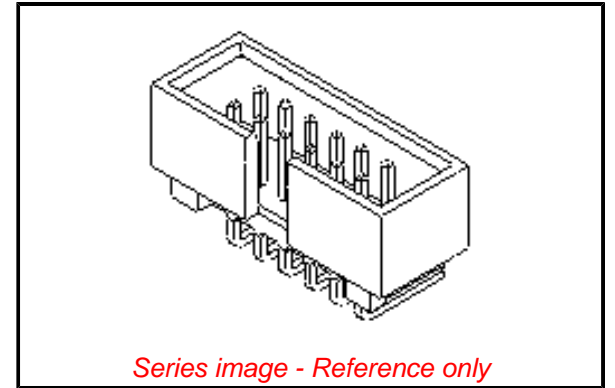


PLEASE CHECK WWW.MOLEX.COM FOR LATEST PART INFORMATION

Part Number: [0702472451](#)
Status: **Active**
Overview: [C-Grid Connector Products](#)
Description: 2.54mm Pitch C-Grid Header, Dual Row, Low Profile, Right Angle, Shrouded, 24 Circuits, 0.38µm Gold (Au) Selective Plating, Tin (Sn) PC Tail Plating

Documents:

3D Model	Application Specification 713080001-AS-000 (PDF)
Drawing (PDF)	Packaging Specification PK-87835-001-001 (PDF)
3D Model (PDF)	RoHS Certificate of Compliance (PDF)
Product Specification PS-70246-100-001 (PDF)	



Agency Certification

CSA	LR19980
UL	E29179

General

Product Family	PCB Headers
Series	70247
Application	Signal, Wire-to-Board
Overview	C-Grid Connector Products
Product Name	C-Grid
UPC	822348488322

Physical

Breakaway	No
Circuits (Loaded)	24
Circuits (maximum)	24
Color - Resin	Black
Durability (mating cycles max)	50
First Mate / Last Break	No
Flammability	94V-0
Glow-Wire Capable	No
Guide to Mating Part	No
Keying to Mating Part	None
Lock to Mating Part	None
Material - Plating Mating	Gold
Material - Plating Termination	Tin
Material - Resin	Polyester
Net Weight	3.386/g
Number of Rows	2
Orientation	Right Angle
PC Tail Length	3.05mm
PCB Locator	No
PCB Retention	None
PCB Thickness - Recommended	1.60mm
Packaging Type	Tray
Pitch - Mating Interface	2.54mm
Pitch - Termination Interface	2.54mm
Plating min - Mating	0.381µm
Plating min - Termination	1.905µm
Polarized to Mating Part	Center Slot
Shrouded	Fully
Stackable	No
Temperature Range - Operating	-55° to +120°C
Termination Interface: Style	Through Hole

EU ELV

Not Relevant

EU RoHS

Not Reviewed

REACH SVHC

Not Contained Per -
ED/30/2017 (7 July
2017)

Halogen-Free

Status

Not Low-Halogen

For more information, please visit [Contact US](#)

China ROHS

ELV

RoHS Phthalates

China RoHS

Green Image

Not Relevant

Not Contained

Search Parts in this Series

[70247](#) Series

Mates With

[70450](#) SL Crimp Housing, [70058](#) SL Crimp Terminal

Electrical

Current - Maximum per Contact	2.5A
Voltage - Maximum	250V DC

Solder Process Data

Duration at Max. Process Temperature (seconds)	010
Lead-free Process Capability	WAVE
Max. Cycles at Max. Process Temperature	001
Process Temperature max. C	235

Material Info**Reference - Drawing Numbers**

Application Specification	713080001-AS-000
Packaging Specification	PK-87835-001-001
Product Specification	PS-70246-100-001
Sales Drawing	SDA-70247-XX00-04-001

This document was generated on 07/27/2021

PLEASE CHECK WWW.MOLEX.COM FOR LATEST PART INFORMATION