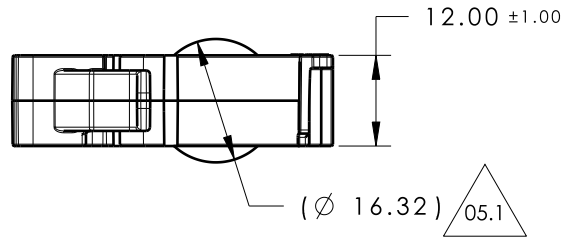


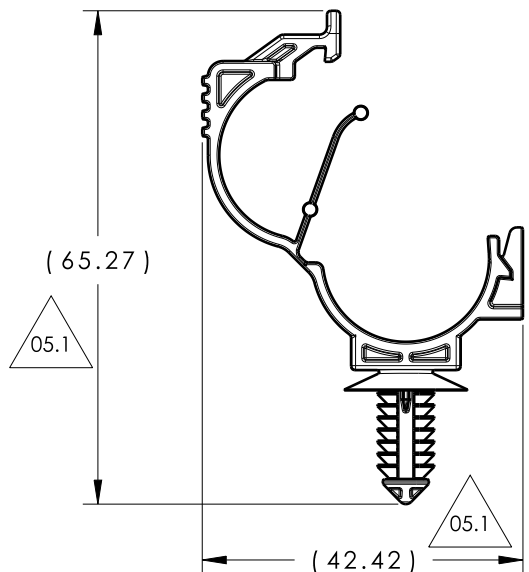
Revision Level			Revision Record	Changed	Date	Approved	Date
Drawing	State	Part					
05.1	Design Release	E	SEE ECN# 012751	KVH	7/28/14	EJH	8/6/14

- REFERENCE:  
 PERFORMANCE REQUIREMENTS AT DRY AS MOLDED:  
 1. FIR TREE PUSH IN FORCE: 45 NEWTONS (10 LBS) MAX  
 IN THE APPLICABLE NOMINAL HOLE SIZE AND A  
 PLATE THICKNESS OF 1.8mm.  
 2. FIR TREE PULL OUT FORCE: 110 NEWTONS (25 LBS) MIN  
 IN THE APPLICABLE NOMINAL HOLE SIZE AND A  
 PLATE THICKNESS OF 1.8mm.  
 3. SHEET METAL THICKNESS RANGE: 0.60mm - 8.25mm  
 4. APPLICABLE HOLE SIZE:  
 A. 6.5mm +0.5 / -0.4  
 B. 6.35mm +/- 0.25 HEX

05.1

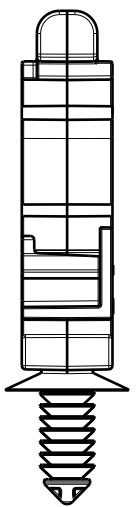


05.1

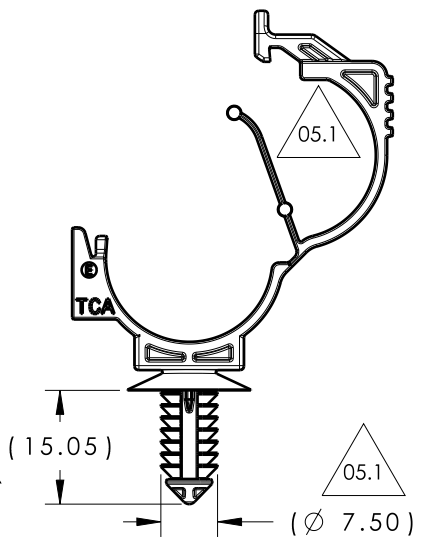


05.1

05.1

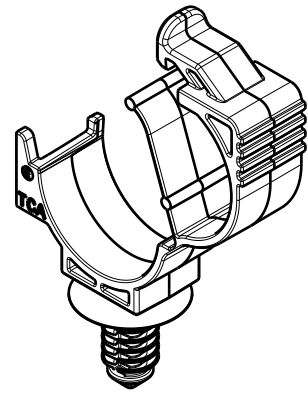


05.1

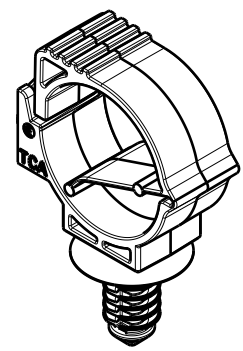


05.1

05.1



ISOMETRIC VIEW  
OPEN POSITION



ISOMETRIC VIEW  
CLOSED POSITION

TYPE NUMBER	MATERIAL	COLOR
LOC15-19FT6LG	PA66HIRHS	BLACK
LOC15-19FT6LG	PA46	GRAY

Material  
 SEE CHART  
 COLOR: SEE CHART

Units **millimeters**  
 Tolerance defined on  
 each dimension

The copyright of this  
 drawing is reserved by  
 HellermannTyton. It is  
 issued on condition that it is  
 not reproduced, copied or  
 disclosed to a third party,  
 either wholly or in part,  
 without the consent of  
 HellermannTyton.

Drawn KVH 9/28/12  
 Approved SJA 9/28/12  
**HellermannTyton**  
 North America  
 Email: corp@htamericas.com  
 Web: www.hellermann.tyton.com

Article/Type-No SEE CHART  
 Title LOCKING OMEGA CLIP (15 TO 19mm  
 BUNDLE) WITH FIR TREE  
 Drawing-No PRODUCTION : Phase  
**12-0429-011-CSU**

Scale 1:1  
 Project Number 12-0429  
 Format AH  
 Sheet 1/1