

# Contact insert module - HC-M-RJ45-08-M - 1419887


Please be informed that the data shown in this PDF Document is generated from our Online Catalog. Please find the complete data in the user's documentation. Our General Terms of Use for Downloads are valid (<http://phoenixcontact.com/download>)



Contact insert module, number of positions: RJ45, type : RJ45, Pin, 50 V, 1 A, application: Data



## Key Commercial Data

Packing unit	1 pc
GTIN	 4 055626 253251
GTIN	4055626253251

## Technical data

### Dimensions

Height	41 mm
Width	34.2 mm
Length	14.6 mm

### Electrical characteristics

Rated voltage (III/3)	50 V
Rated current	1 A
Rated surge voltage	0.8 kV
Connection profile	RJ45
Transmission characteristics (category)	CAT6 <sub>A</sub> (IEC 60512-27-100:2008, TIA-568-C.2:2009)

### Ambient conditions

Ambient temperature (operation)	-25 °C ... 60 °C
---------------------------------	------------------

### Mechanical characteristics

Connection cross section AWG	24 ... 27 (flexible)
Insertion/withdrawal cycles	≥ 500

### General

Note	Scope of supply: contact insert module, RJ45 pin insert
------	---

# Contact insert module - HC-M-RJ45-08-M - 1419887

## Technical data

### General

	Connectors may be operated only when there is no load/voltage.
Type	RJ45
Series	HC-M-RJ45
Color	yellow
Number of module slots	1
Flammability rating according to UL 94	V0
Degree of pollution	3
Overvoltage category	III
Assembly instructions	To ensure correct use, installation in housing with IP54 protection or better is required

### Material data

Contact material	Phosphor bronze
Contact surface material	Au
Contact carrier material	PC

### Standards and Regulations

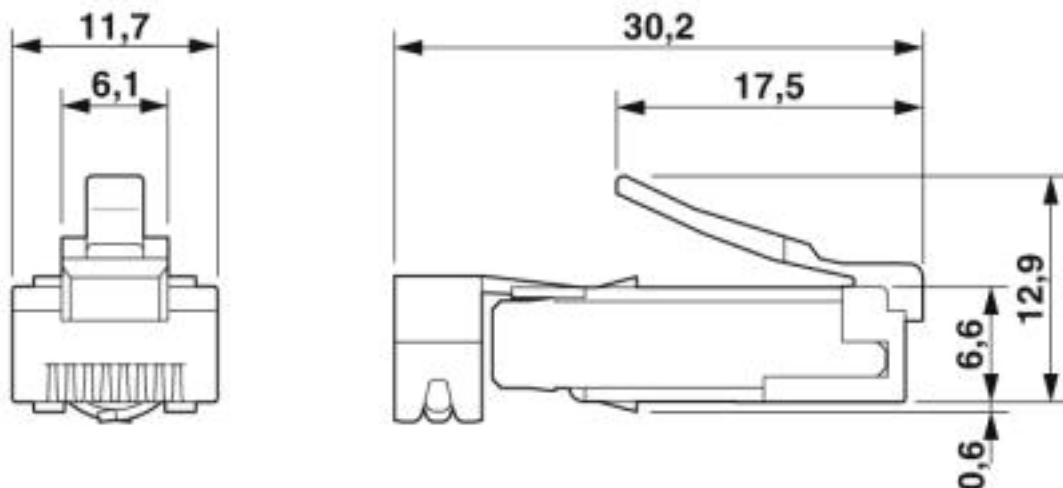
Flammability rating according to UL 94	V0
--	----

### Environmental Product Compliance

China RoHS	Environmentally friendly use period: unlimited = EFUP-e
	No hazardous substances above threshold values

## Drawings

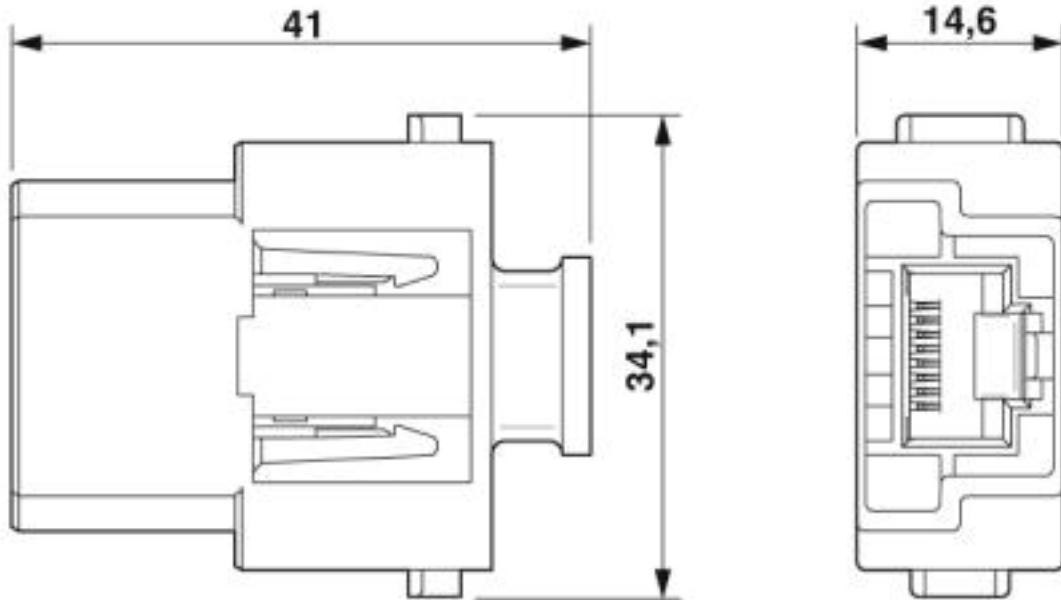
Dimensional drawing



RJ45 male insert

# Contact insert module - HC-M-RJ45-08-M - 1419887

Dimensional drawing



Contact insert module

## Approvals

Approvals

---

Approvals

CSA / UL Recognized / EAC

---

Ex Approvals

## Approval details

CSA		<a href="http://www.csagroup.org/services-industries/product-listing/">http://www.csagroup.org/services-industries/product-listing/</a>	13631
UL Recognized		<a href="http://database.ul.com/cgi-bin/XYV/template/LISEXT/1FRAME/index.htm">http://database.ul.com/cgi-bin/XYV/template/LISEXT/1FRAME/index.htm</a>	E118976
EAC			RU C- DE.AI30.B.01102

---

Phoenix Contact 2019 © - all rights reserved  
<http://www.phoenixcontact.com>

PHOENIX CONTACT GmbH & Co. KG  
Flachsmarktstr. 8  
32825 Blomberg  
Germany  
Tel. +49 5235 300  
Fax +49 5235 3 41200  
<http://www.phoenixcontact.com>