

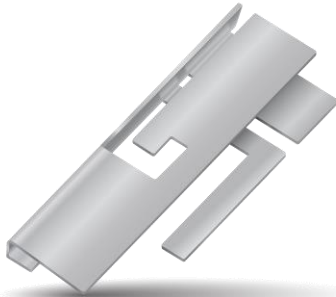


Part No. 1000146

Wi-Fi / BT Dual Band or CBRS/n78 Stamped Metal Embedded Antenna

2.4 / 5 GHz or 3.3 – 3.8 GHz

Supports: Wi-Fi applications, Agriculture, Automotive, Bluetooth, Zigbee, WLAN, Smart Home, Healthcare, Digital Signage



*CBRS/n78 layout offered in Appendix 1

Stamped Metal Wi-Fi or CBRS/n78 Embedded Antenna

2.4 GHz; 5 GHz; 3.3 - 3.8 GHz

Ethertronics' Stamped Metal series of Isolated Magnetic Dipole™ (IMD) antennas deliver on the key needs of device designers for higher functionality and performance in smaller/thinner designs. These innovative antennas provide compelling advantages for full WIFI dual-band enabled handheld devices, media players and other mobile devices.

Greater Flexibility

Ethertronics' first-in-class IMD technology enables you to develop concept designs that are more advanced and that deliver superior performance in reception critical applications. The 1000146 can also achieve CBRS/n78 performance with proper tuning and layout shown on Appendix 1.

Electrical Specifications

Typical Characteristics, on 120 x 180 mm PCB

Frequency (GHz)	2.400 – 2.485	4.900 – 5.825	3.300– 3.800
Peak Gain	1.5 dBi	2.6 dBi	Refer to Appendix 1
Average Efficiency	80%	72%	
VSWR Match	1.5:1 max	1.6:1 max	
Feed Point Impedance	50 ohms unbalanced		
Polarization	Linear		
Power Handling	0.5 Watt CW		

KEY BENEFITS

Stay-in-Tune

Ethertronics antenna technology provides superior RF field containment, resulting in less interaction with surrounding components.

Quicker Time-to-Market

By optimizing antenna size, performance and emissions, customer and regulatory specifications are more easily met.

Reliability

Products are the latest RoHS version compliant

APPLICATIONS

- Embedded design
- Cellular, Headsets, Tablets
- Gateway, Access Point
- Handheld
- Telematics
- Tracking
- Healthcare
- M2M, Industrial devices
- Smart Grid
- OBD-II

Mechanical Specifications & Ordering Part Number

Ordering Part Number	1000146
Size (mm)	17.85 x 6.9 x 4.3
Mounting	SMT
Weight (grams)	0.35
Packaging	Tape & Reel, 1000146 – 1,200 pieces per reel
Demo Board	1000418

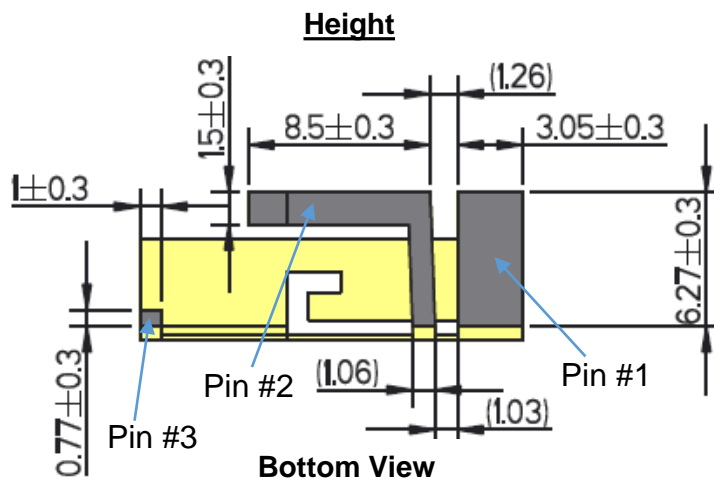
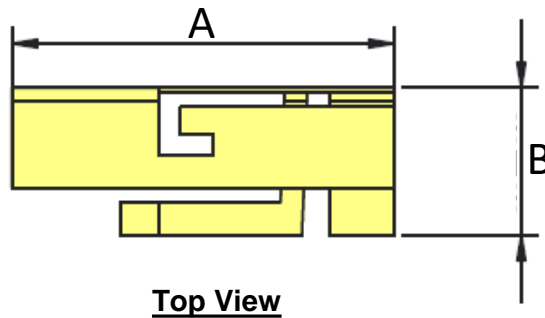
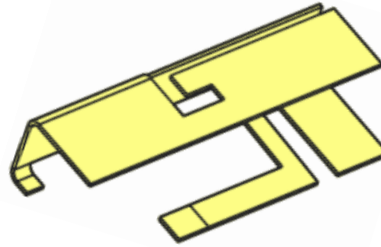


2.4 / 5 GHz Ethertronics' Embedded Antenna Specifications
Ethertronics produces a wide variety of standard and custom antennas to meet user needs.

Antenna Dimensions

Typical antenna dimensions (mm)

Part Number	A (mm)	B (mm)	C (mm)
1000146	17.85 ± 0.3	6.9 ± 0.3	4.3 ± 0.4



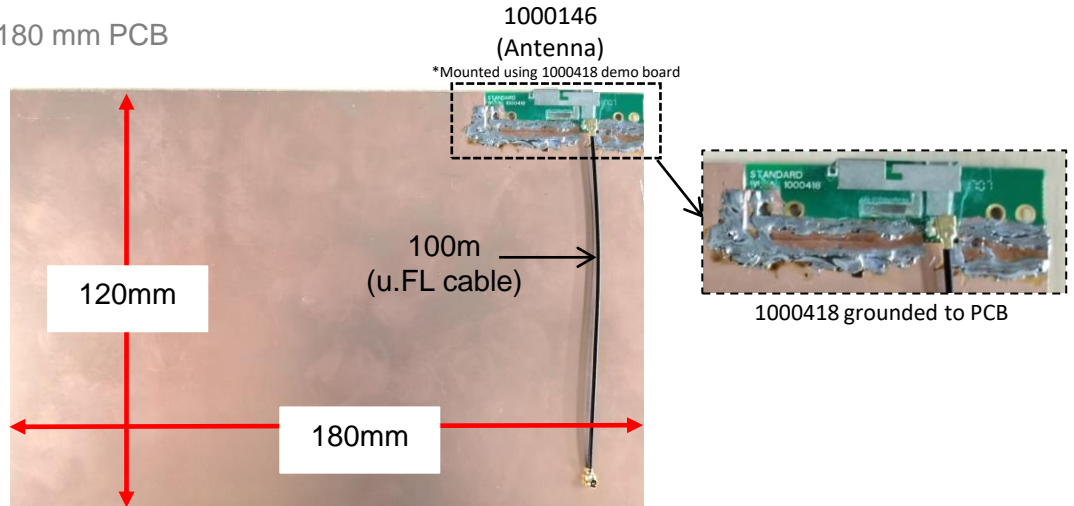
Pin	Description
1	Feed
2	Ground
3	Dummy Pad



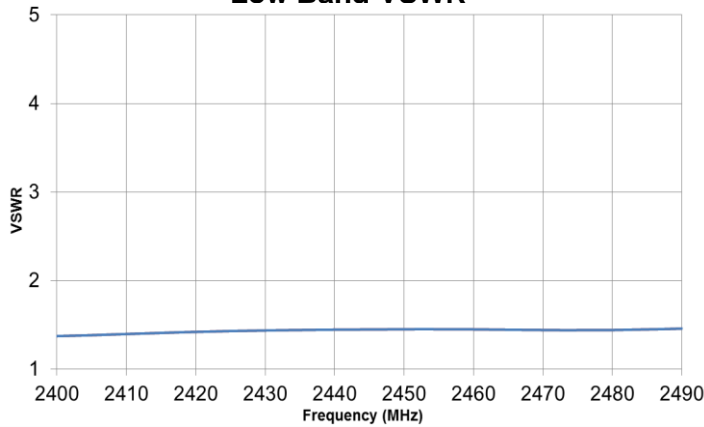
2.4 / 5 GHz Ethertronics' Embedded Antenna Specifications
Ethertronics produces a wide variety of standard and custom antennas to meet user needs.

VSWR and Efficiency Plots

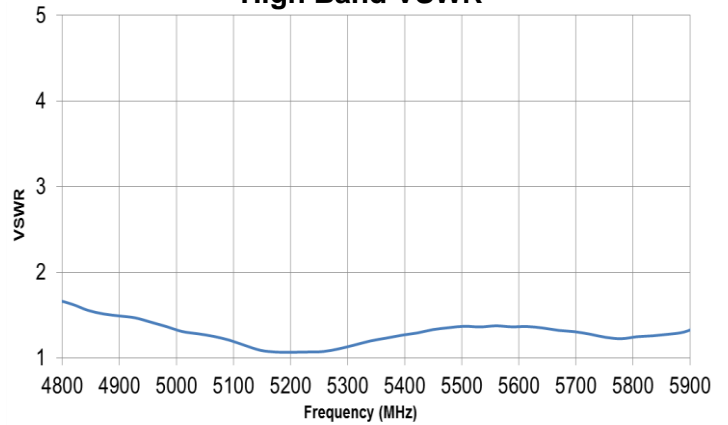
Typical Performance on 120 x 180 mm PCB



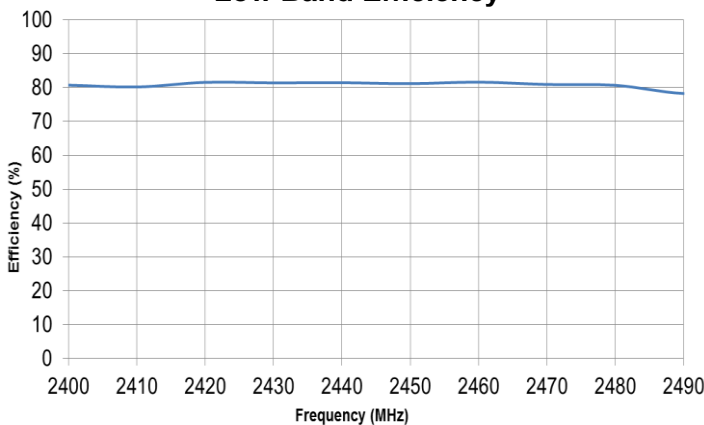
Low Band VSWR



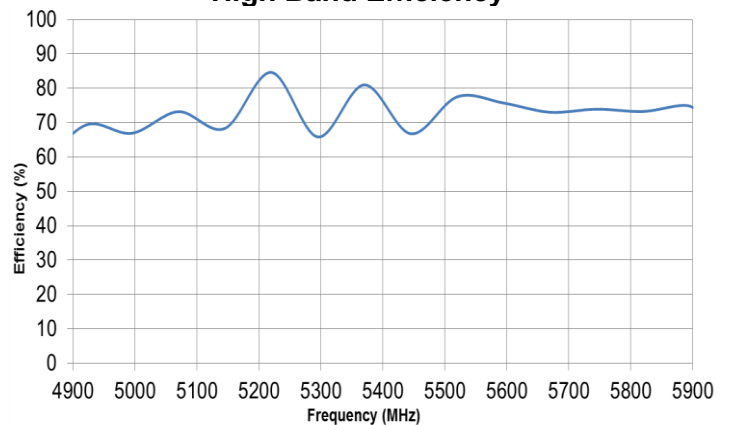
High Band VSWR



Low Band Efficiency



High Band Efficiency

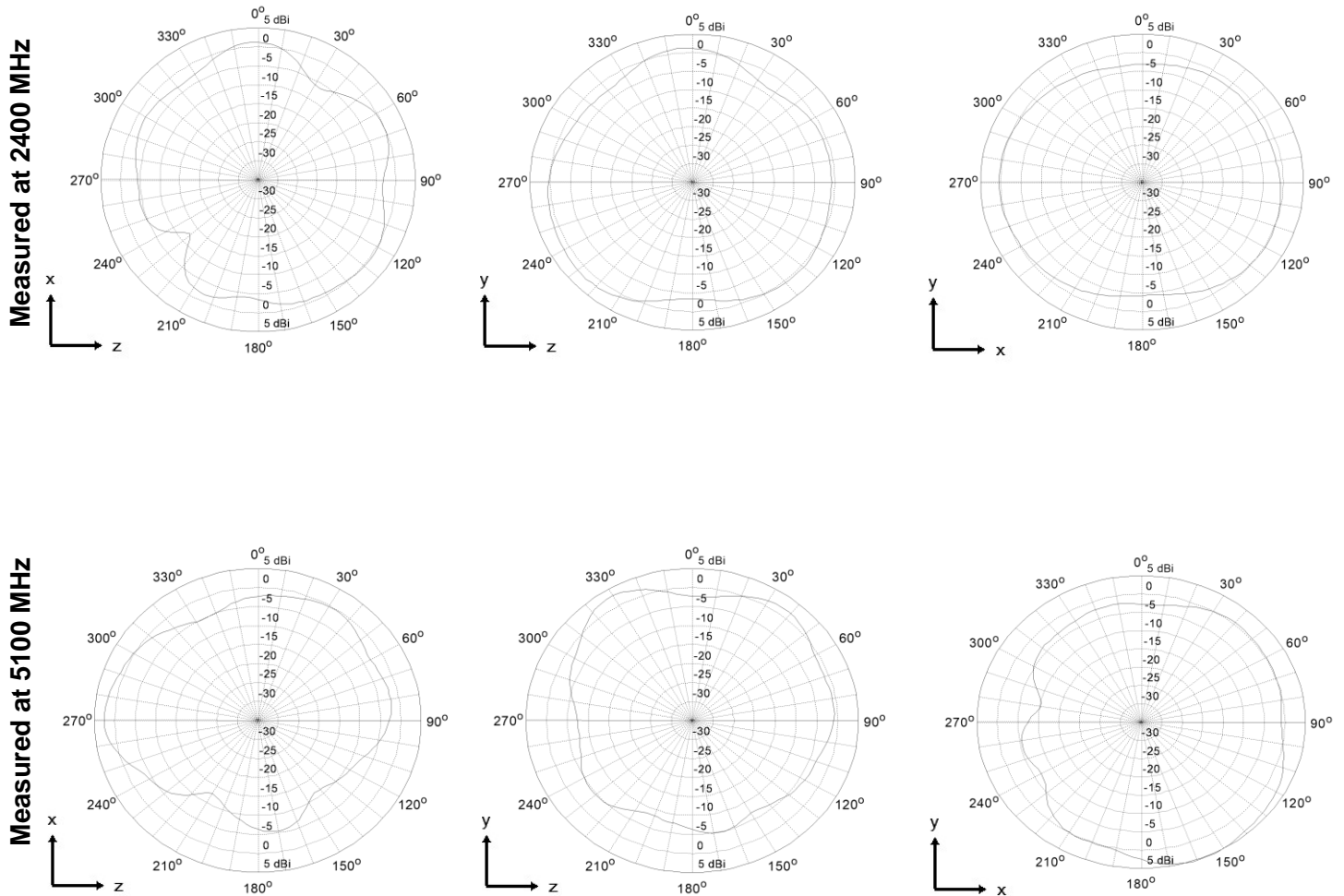
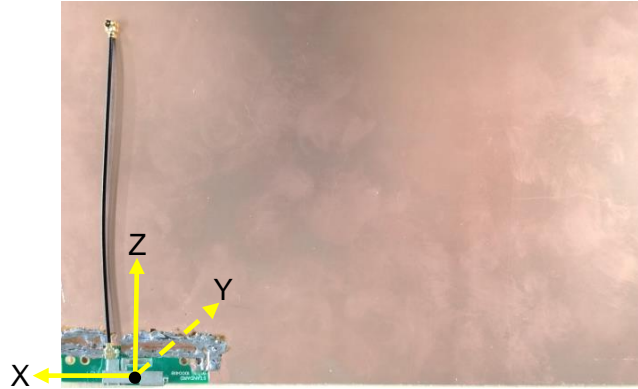




2.4 / 5 GHz Ethertronics' Embedded Antenna Specifications
Ethertronics produces a wide variety of standard and custom antennas to meet user needs.

Antenna Radiation Patterns

Typical Performance on 120 x 180 mm PCB
Measured @ 2400, 5100 MHz

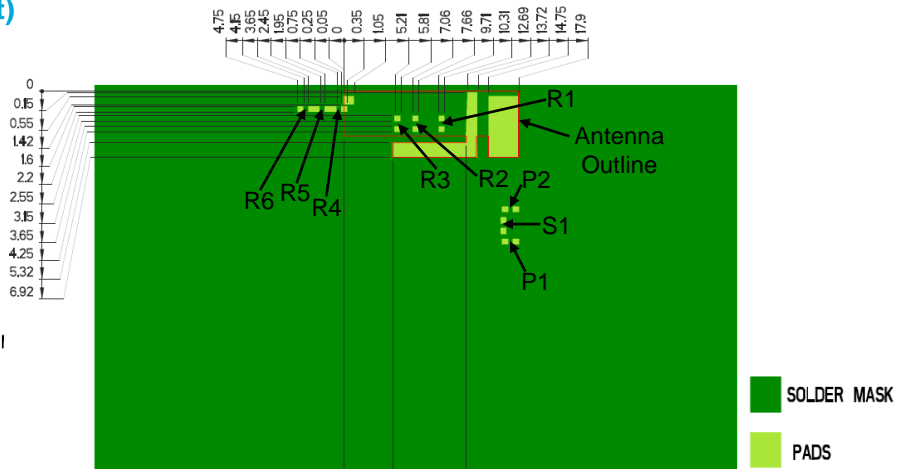
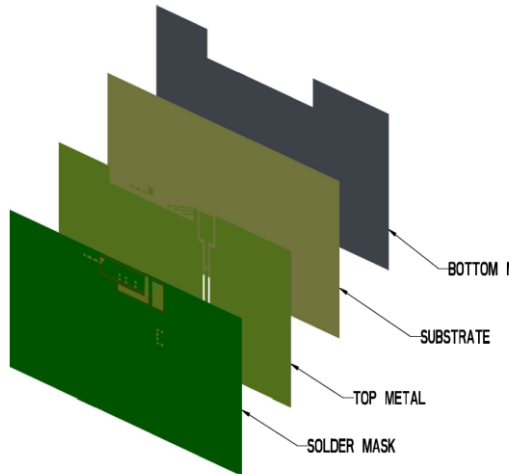




2.4 / 5 GHz Ethertronics' Embedded Antenna Specifications
Ethertronics produces a wide variety of standard and custom antennas to meet user needs.

Antenna Layout (Minor Tuning Layout)

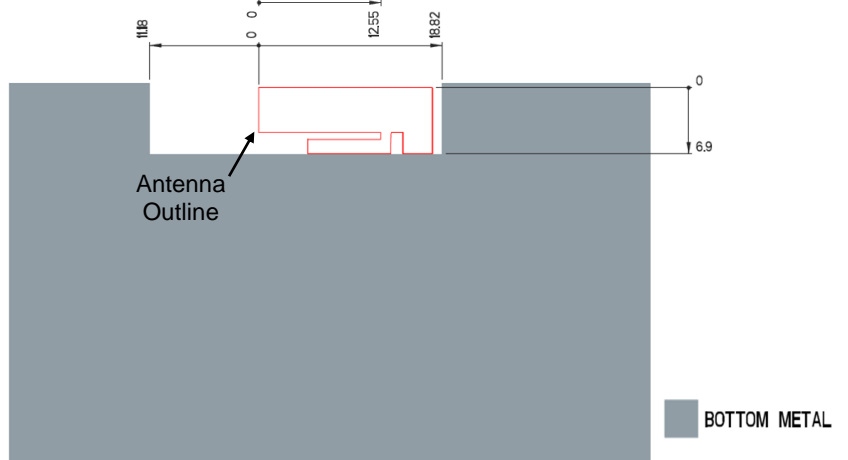
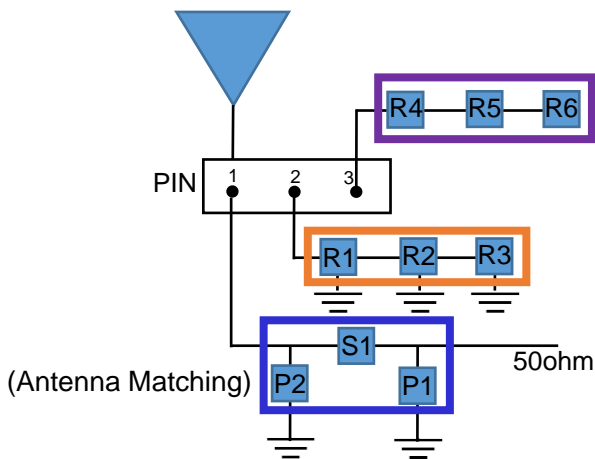
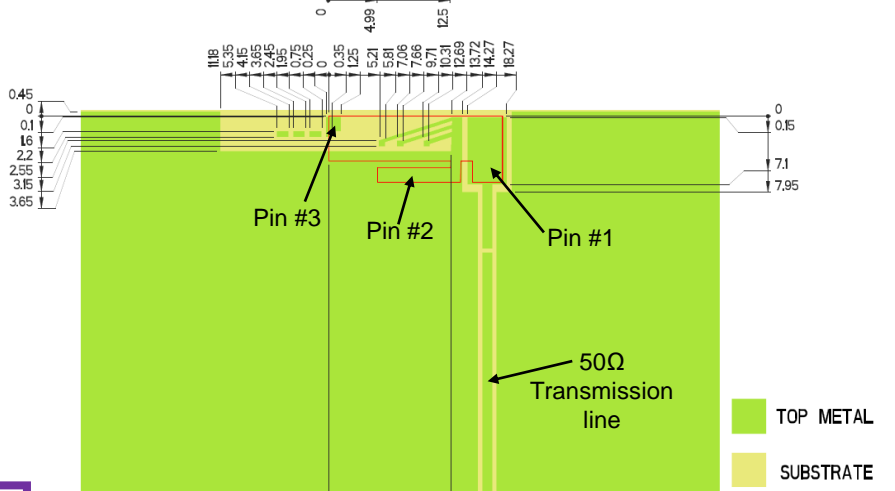
Typical layout dimensions (mm)



Note:
Layout has minor tuning capabilities to allow for small antenna footprint.

Pin Descriptions

Pin#	Description
1	Feed
2	Ground
3	Dummy Pad



Antenna Matching & Tuning Component Values

	P1	S1	P2	R1 – R3	R4 – R6
Default Values	DNI	0Ω	DNI	DNI	DNI
Component Tolerance	N/A	N/A	N/A	N/A	N/A

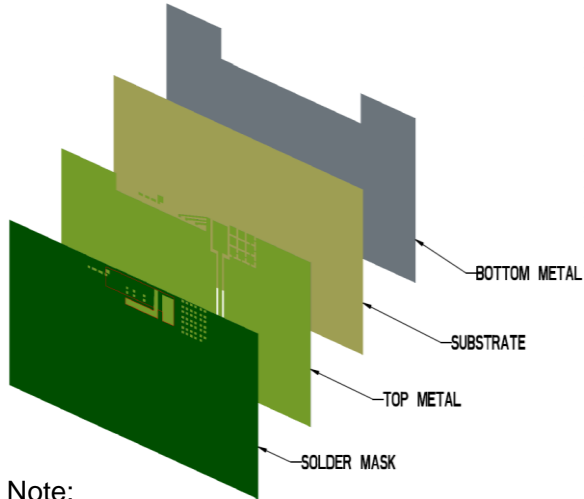


2.4 / 5 GHz Ethertronics' Embedded Antenna Specifications

Ethertronics produces a wide variety of standard and custom antennas to meet user needs.

Antenna Layout (Major Tuning Layout)

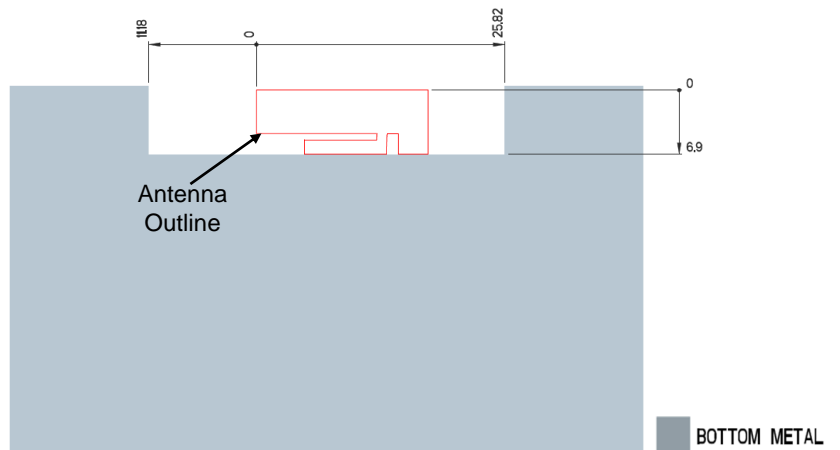
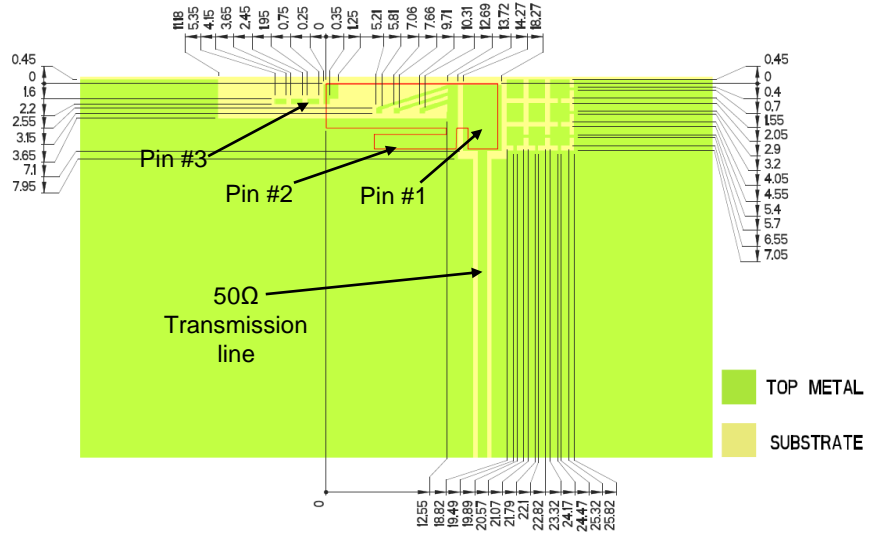
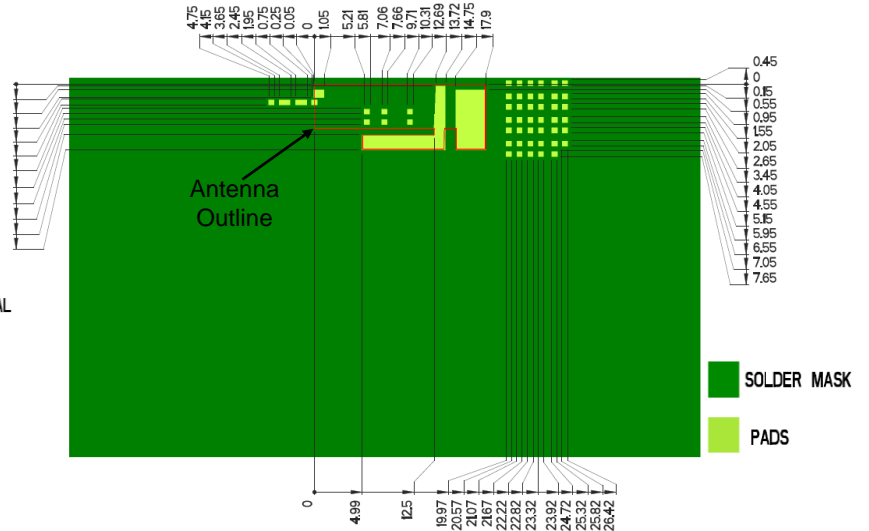
Typical layout dimensions (mm)



Note:
Layout has Major tuning capabilities to allow for robust tuning after board spin, instructions on [Antenna Matching Structure](#) page.

Pin Descriptions

Pin#	Description
1	Feed
2	Ground
3	Dummy Pad

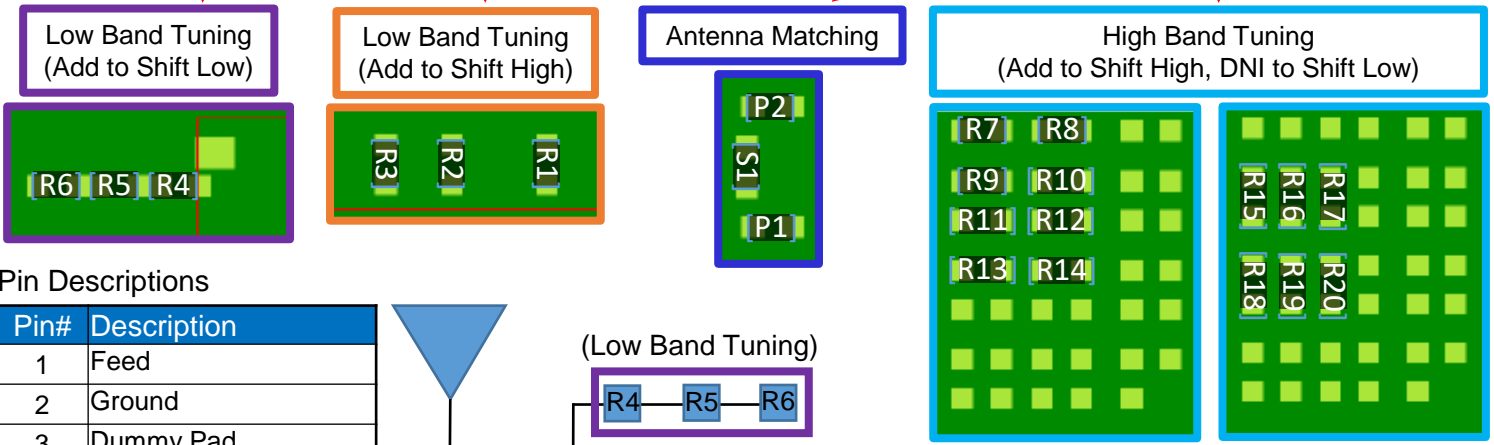
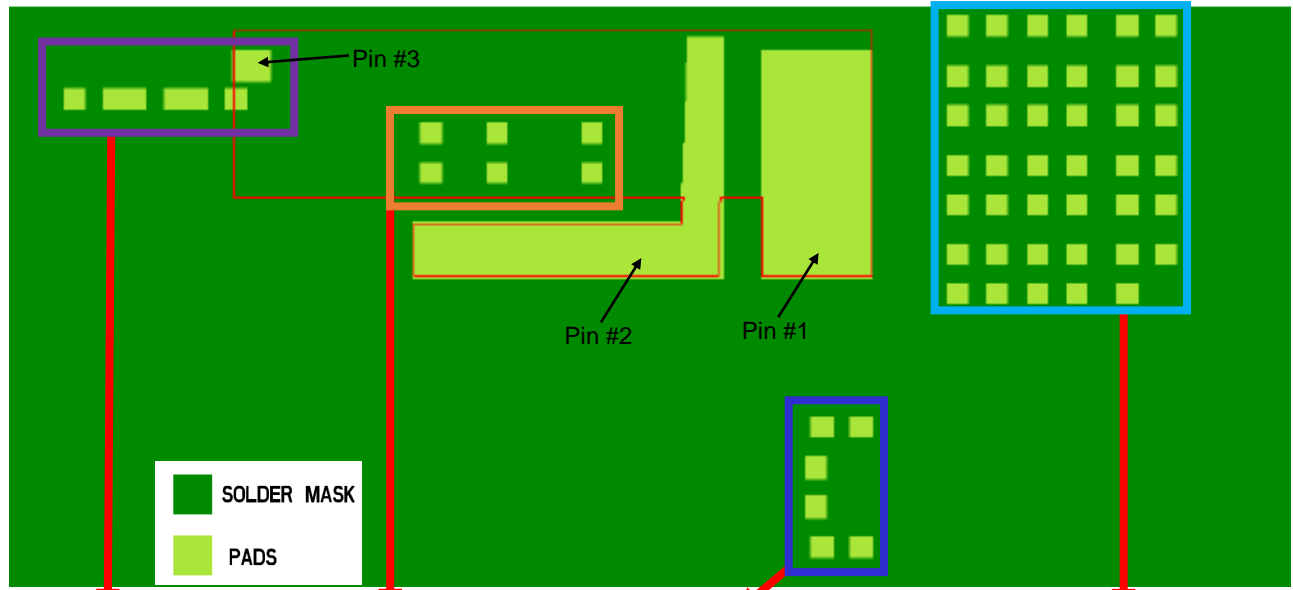




2.4 / 5 GHz Ethertronics' Embedded Antenna Specifications
Ethertronics produces a wide variety of standard and custom antennas to meet user needs.

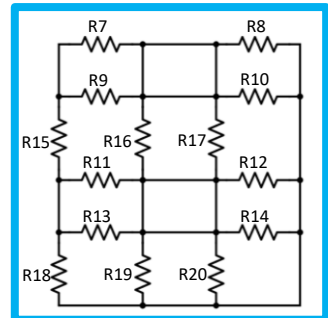
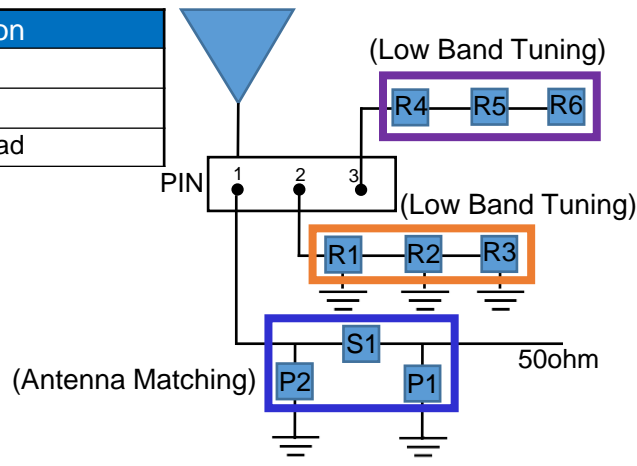
Antenna Matching Structure (Major Tuning Structure)

Typical matching values on 140 x 50 mm PCB



Pin Descriptions

Pin#	Description
1	Feed
2	Ground
3	Dummy Pad



*Extend ground towards antenna feed with 0Ω component(s). R7- R20 can improve high band bandwidth/ performance with ground coupling.

	P1	S1	P2	R1 - R3	R4 - R6	R7 - R14	R15 - R20
Default Values	DNI	0Ω	DNI	DNI	DNI	DNI	DNI
Tolerance	N/A	N/A	N/A	N/A	N/A	N/A	N/A



Appendix 1 CBRS/n78 Stamped Metal Ethertronics' Embedded Antenna Specifications
Ethertronics produces a wide variety of standard and custom antennas to meet user needs.

Appendix 1

Appendix 1 gives instructions on how to achieve CBRS/n78 performances through layout and impedance matching network.
(3.300 – 3.800 GHz)

Frequency (GHz)	3.300 – 3.800
Peak Gain	4.12 dBi
Average Efficiency	76%
VSWR Match	2.6:1 max
Feed Point Impedance	50 ohms unbalanced
Polarization	Linear
Power Handling	0.5 Watt CW

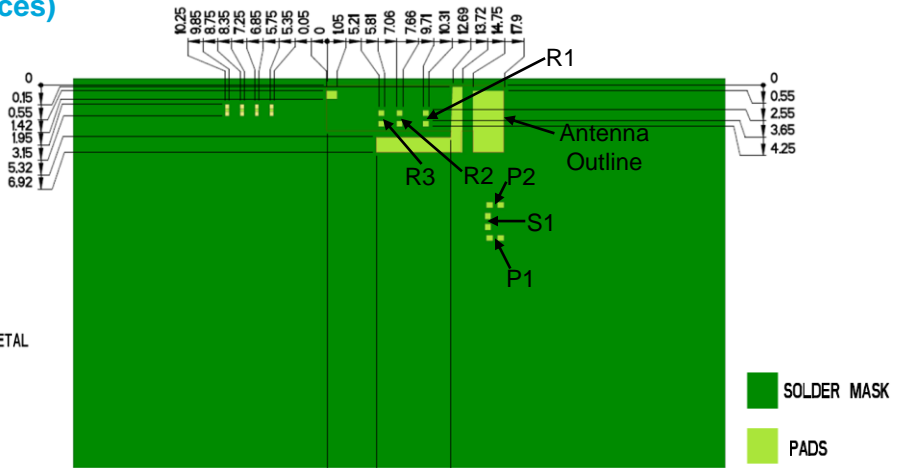
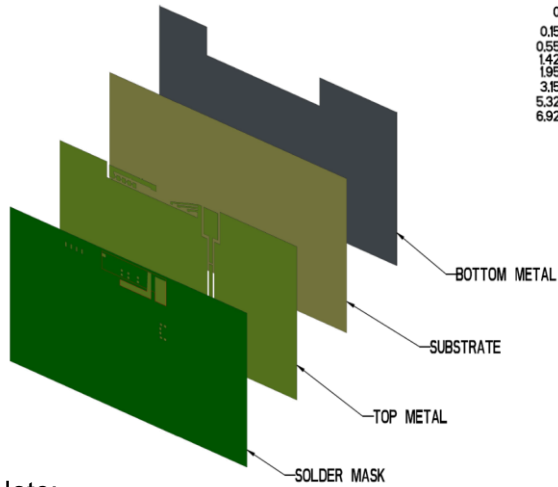
*Data shown above has Appendix 1 matching applied on 120 x 180 mm pcb.



Appendix 1 CBRS/n78 Stamped Metal Ethertronics' Embedded Antenna Specifications
Ethertronics produces a wide variety of standard and custom antennas to meet user needs.

Antenna Layout (CBRS/n78 performances)

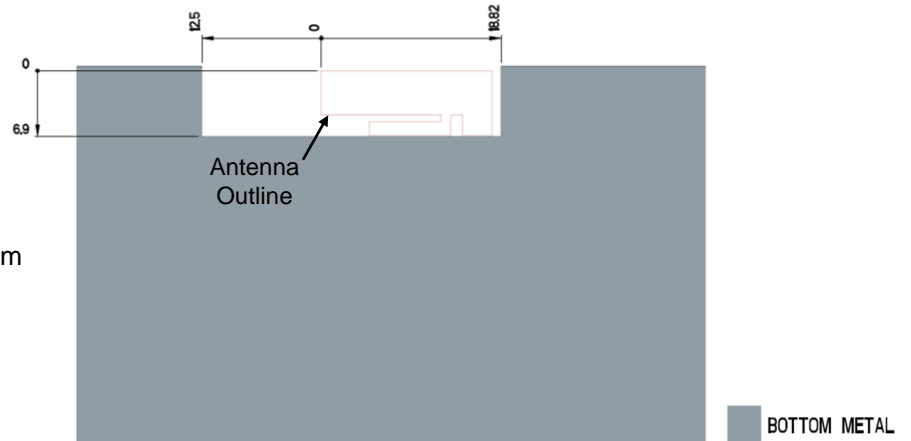
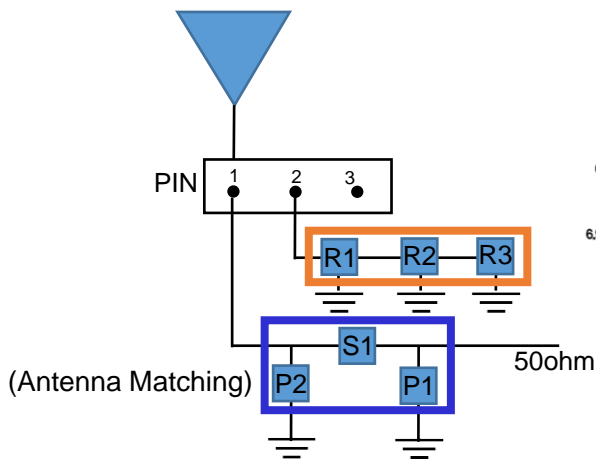
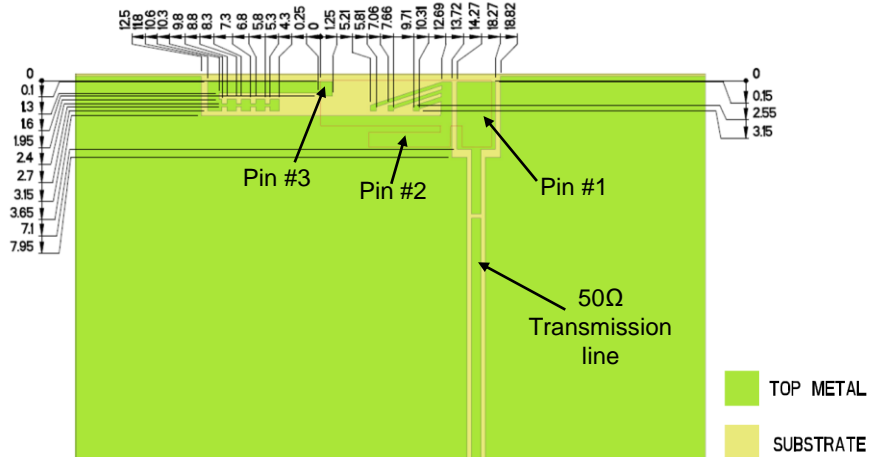
Typical layout dimensions (mm)



Note:
Layout has minor tuning capabilities to allow for small antenna footprint.

Pin Descriptions

Pin#	Description
1	Feed
2	Ground
3	Dummy Pad



Antenna Matching & Tuning Component Values

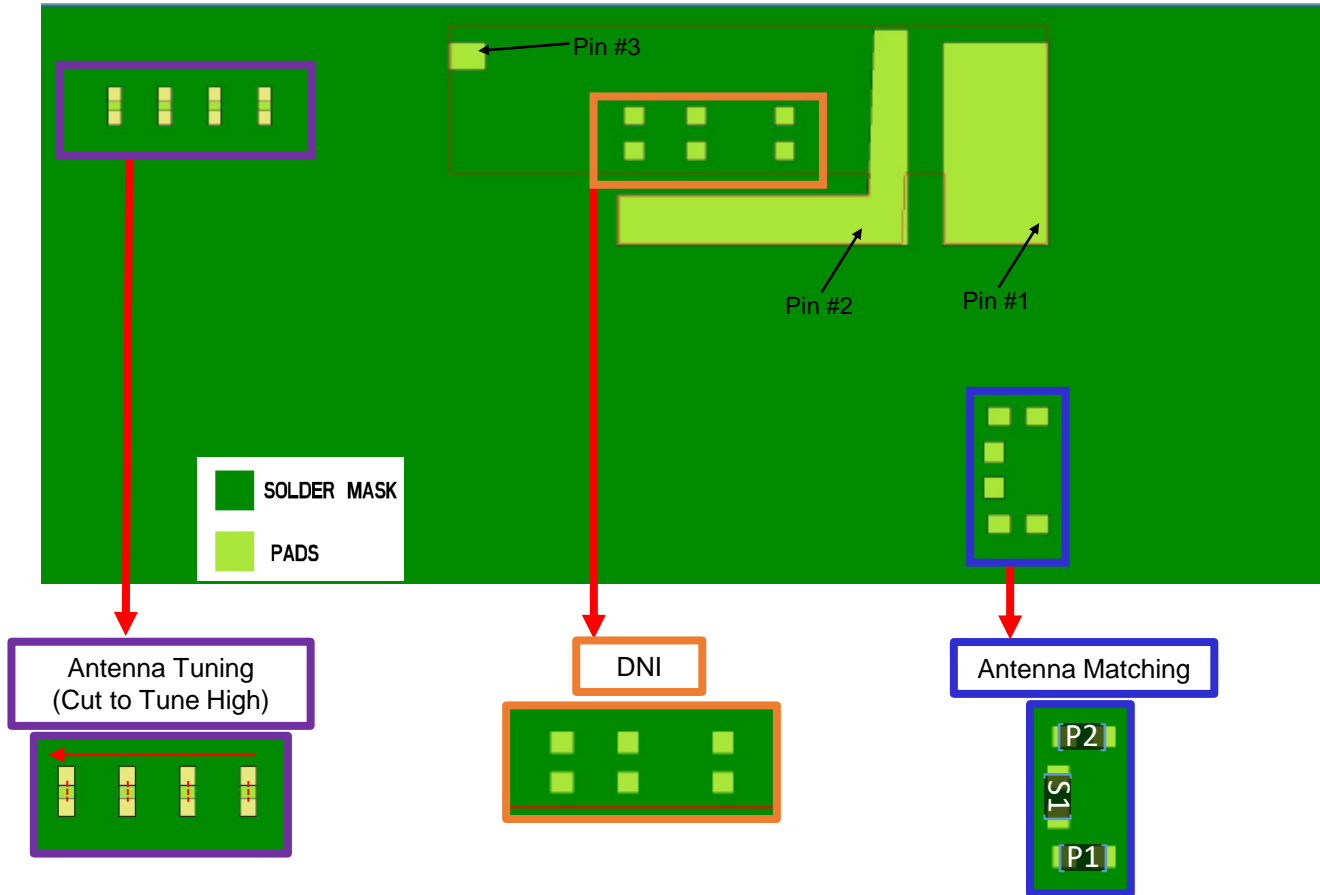
	P1	S1	P2	R1 – R3
Default Values	DNI	0Ω	DNI	DNI
Component Tolerance	N/A	N/A	N/A	N/A



Appendix 1 CBRS/n78 Stamped Metal Ethertronics' Embedded Antenna Specifications
Ethertronics produces a wide variety of standard and custom antennas to meet user needs.

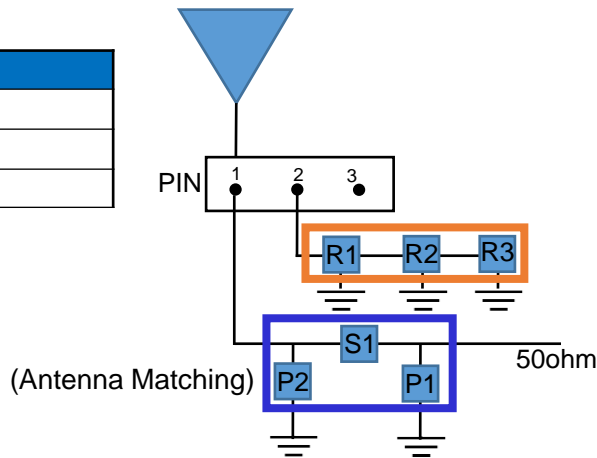
Antenna Matching Structure

Typical matching values on 140 x 50 mm PCB



Pin Descriptions

Pin#	Description
1	Feed
2	Ground
3	Dummy Pad



Antenna Matching & Tuning Component Values

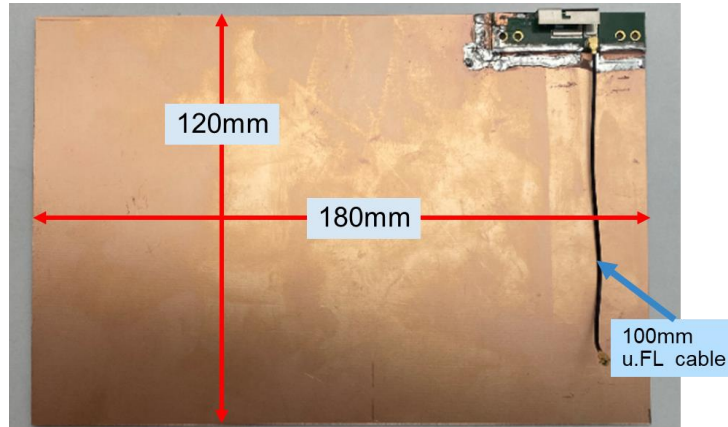
	P1	S1	P2	R1 - R3
Default Values	DNI	0Ω	DNI	DNI
Component Tolerance	N/A	N/A	N/A	N/A



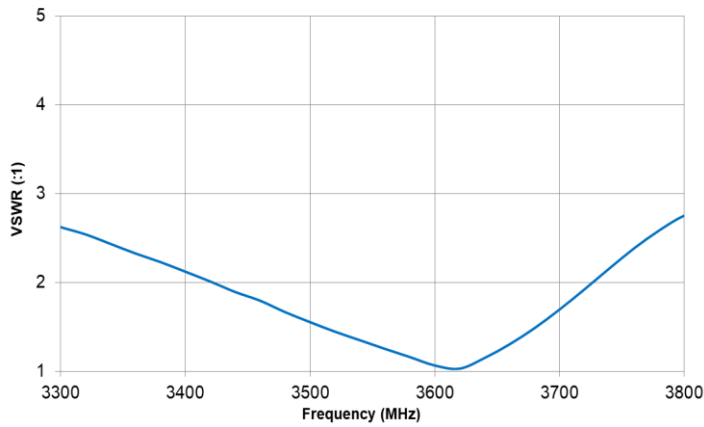
Appendix 1 CBRS/n78 Stamped Metal Ethertronics' Embedded Antenna Specifications
Ethertronics produces a wide variety of standard and custom antennas to meet user needs.

Appendix 1 VSWR and Efficiency Plots

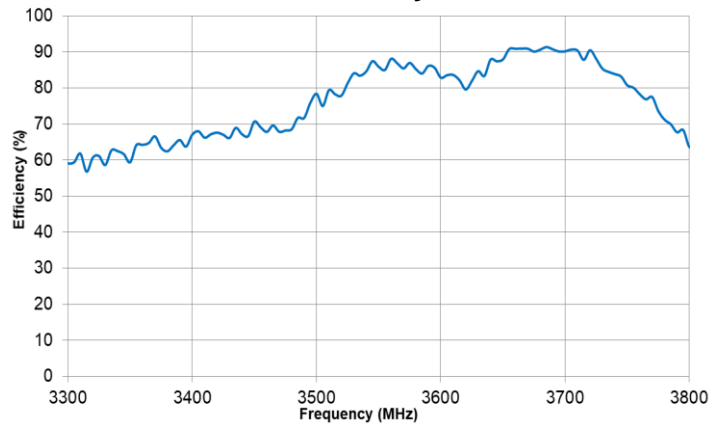
Typical Performance on 120 x 180 mm PCB



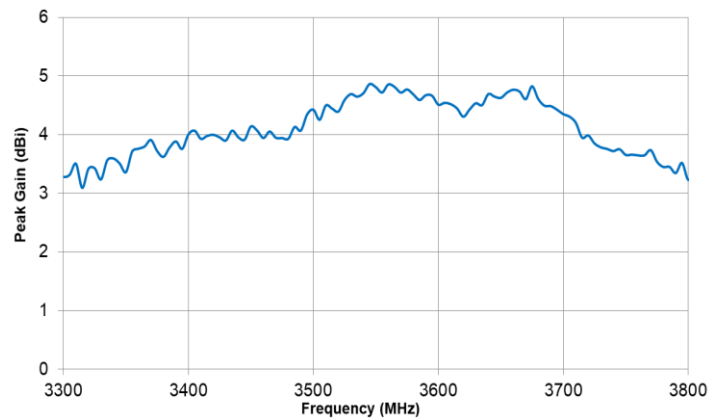
VSWR



Efficiency



Peak Gain



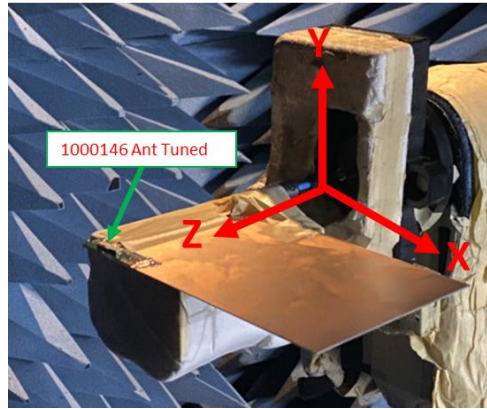


Appendix 1 CBRS/n78 Stamped Metal Ethertronics' Embedded Antenna Specifications
Ethertronics produces a wide variety of standard and custom antennas to meet user needs.

Appendix 1 Antenna Radiation Patterns

Typical Performance on 120 x 180 mm PCB

Measured @ 3500 MHz



Measured at 3500 MHz

