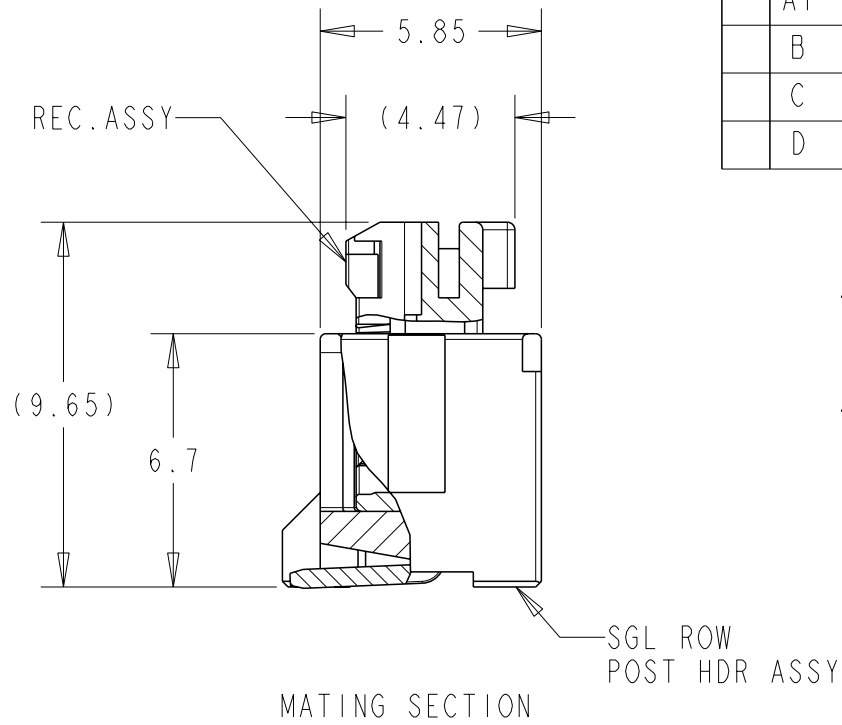
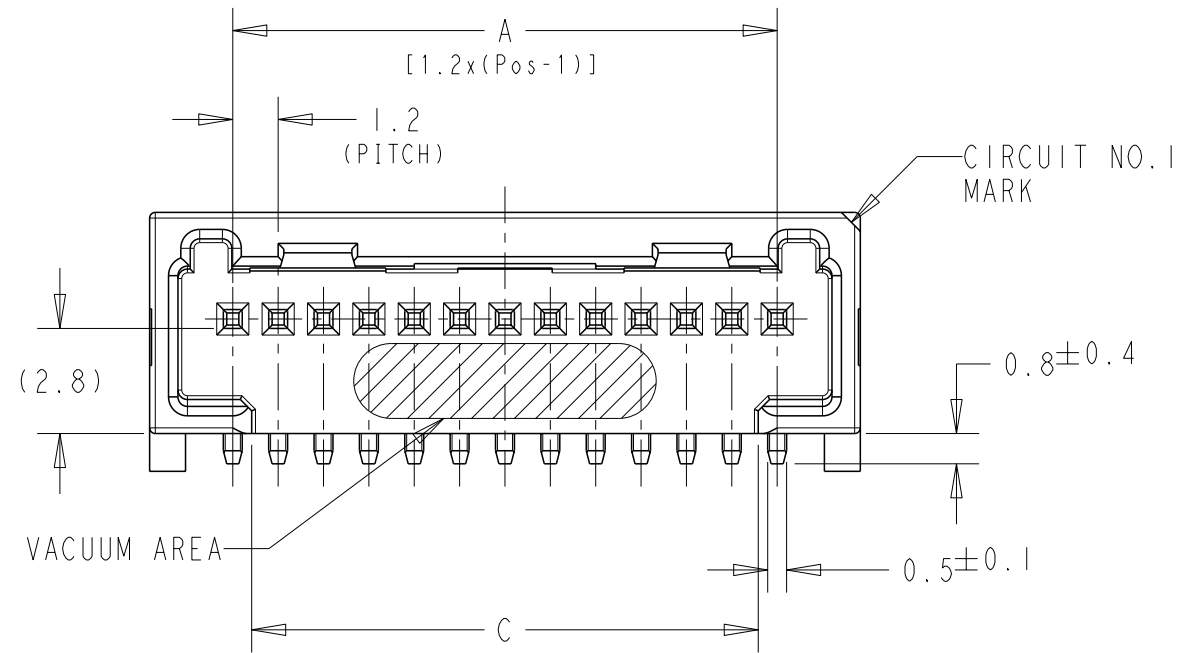
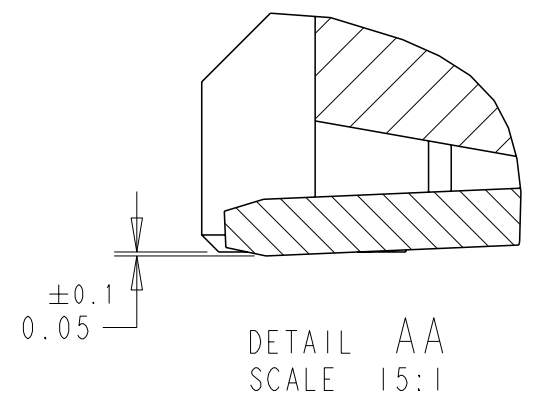
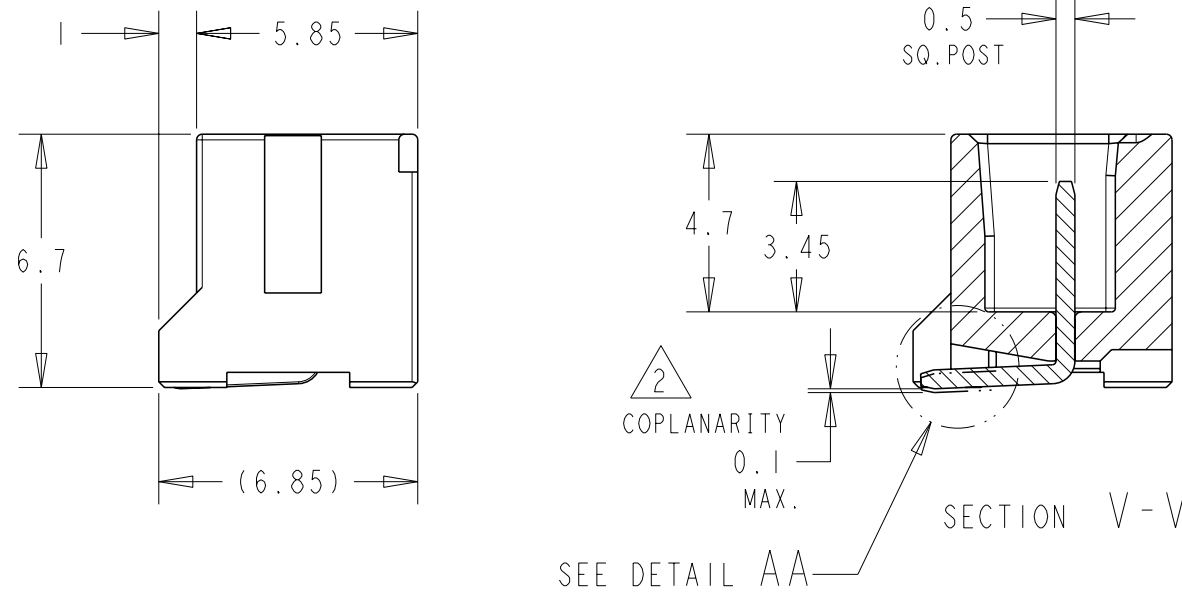
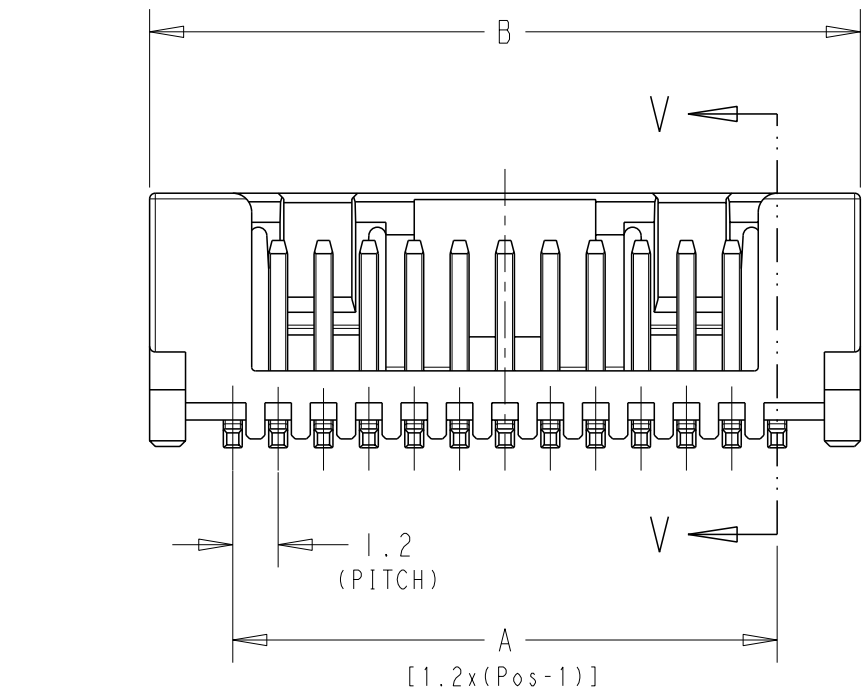
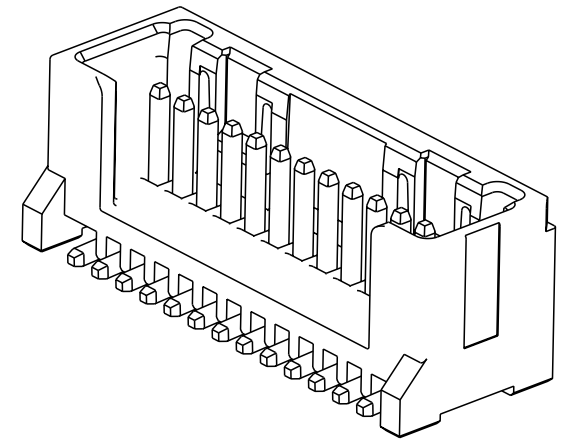


P	LTR	DESCRIPTION	DATE	DWN	APVD
A	I	REVISED(GO TO PRODUCTION)	22SEP2021	T.Y	K.K
B		REVISED	01OCT2021	T.Y	K.K
C		REVISED	21JAN2022	T.Y	K.K
D		REVISED	12JUL2022	T.Y	K.K



NOTES;

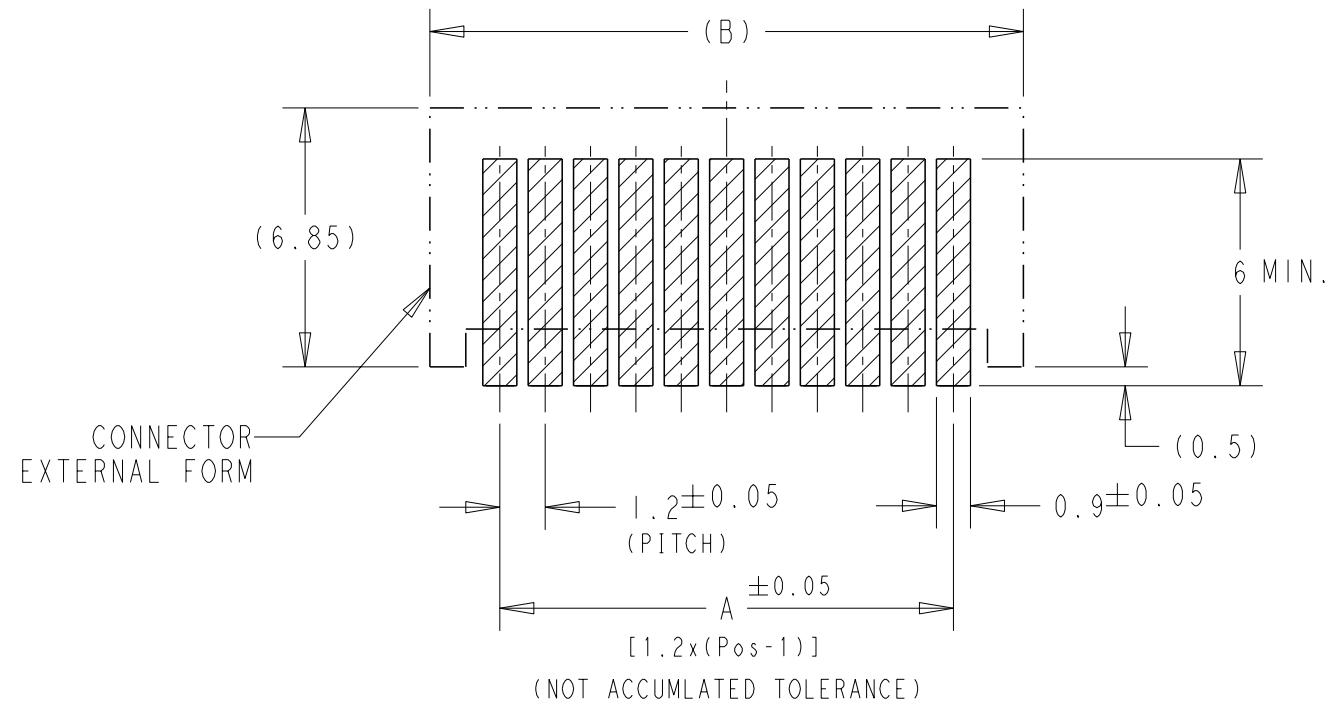
- 1 MATERIAL:
HOUSING: THERMOPLASTIC, UL94V-0, COLOR NATURAL (BEIGE)
POST: TIN, COPPER ALLOY
- 2 TO BE MEASURED WITH CONNECTOR PLACED ON HORIZONTAL DATUM SURFACE, FLOAT OF SOLDER TINE FROM DATUM SURFACE IS 0.1mm MAX.



THIS DRAWING IS A CONTROLLED DOCUMENT.		DWN T. YASUI 18JUN2019	TE Connectivity		
DIMENSIONS: mm		CHK A. KUBO 18JUN2019			
TOLERANCES UNLESS OTHERWISE SPECIFIED: ±0.3		APVD A. KUBO 18JUN2019	NAME SINGLE ROW POST HEADER ASSY MICRO CT CONNECTOR, 1.2mm PITCH VERTICAL-TYPE		
0-PLC ± 1-PLC ± 2-PLC ± 3-PLC ± 4-PLC ± ANGLES ± 3°		PRODUCT SPEC 108-140232	SIZE A3	CAGE CODE 00779	DRAWING NO C-2355091
MATERIAL SEE NOTE 1		FINISH SEE NOTE 1	APPLICATION SPEC 114-78056	RESTRICTED TO -	SCALE 5:1
		WEIGHT	SHEET 1 OF 4		REV D
		CUSTOMER DRAWING			

printed on 26 Jul 2022 18:12 (from TE133190

P	LTR	DESCRIPTION	DATE	DWN	APVD
		SEE SHEET 1			



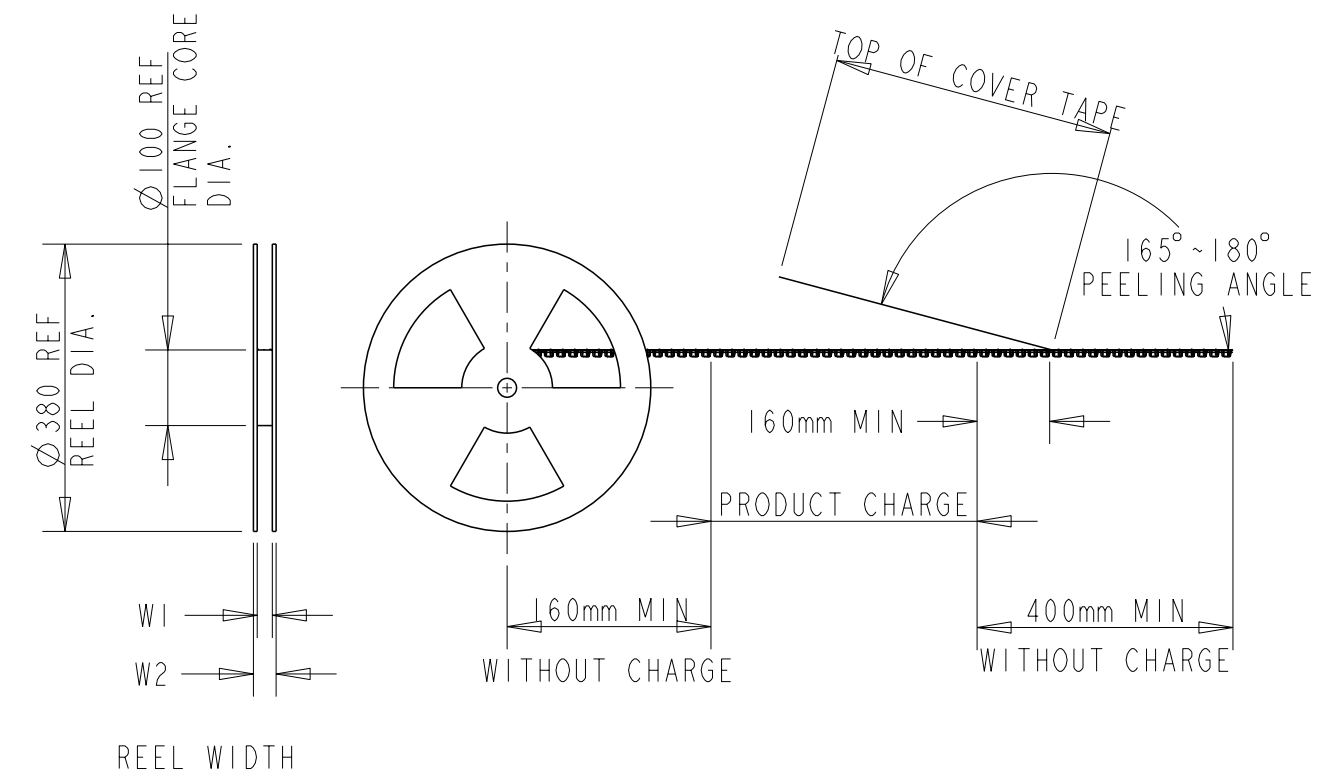
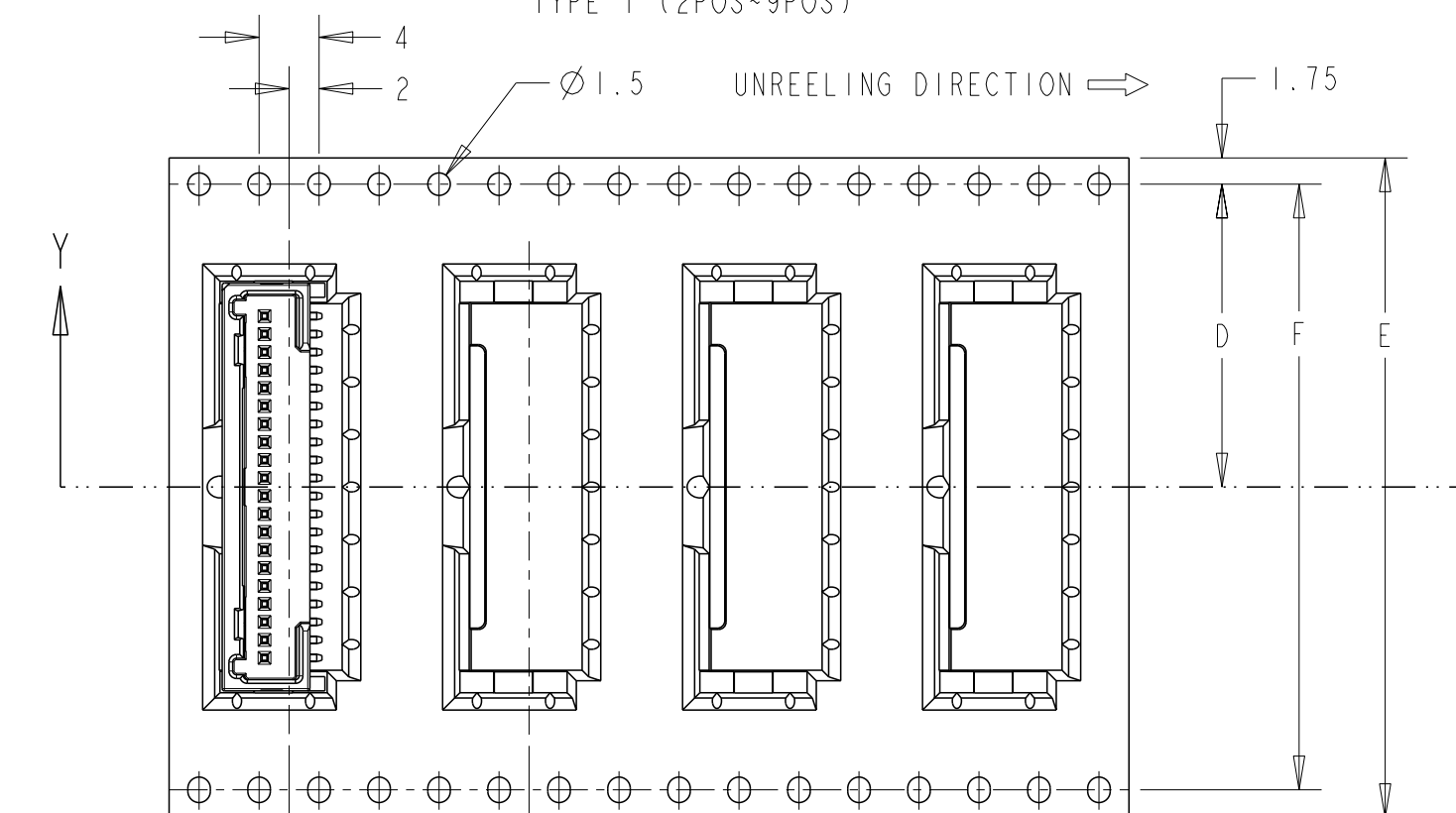
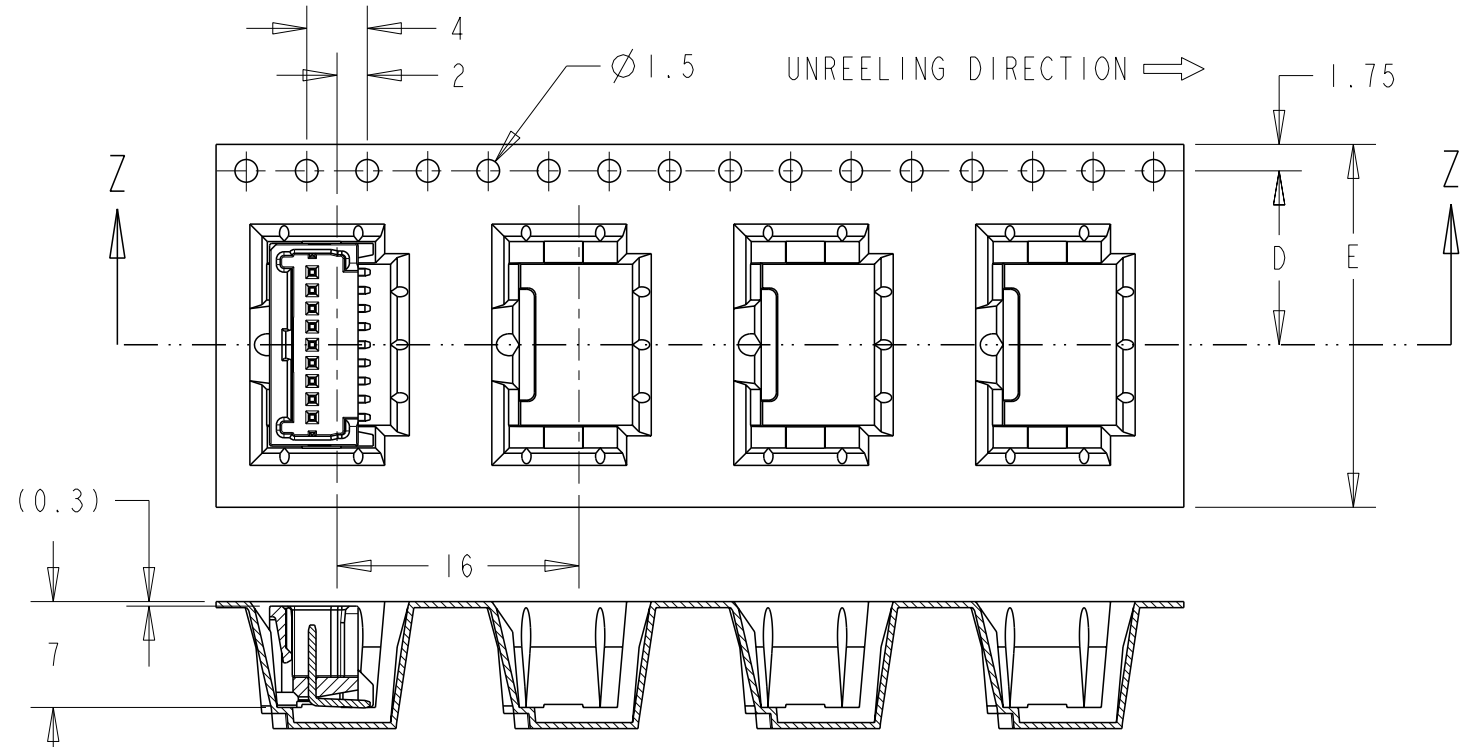
P.C.B. MOUNTING LAYOUT - PARTS MOUNTING SIDE

18.2	33.1	28.8	25	2-2355091-5
18.2	31.9	27.6	24	2-2355091-4
18.2	30.7	26.4	23	2-2355091-3
18.2	29.5	25.2	22	2-2355091-2
18.2	28.3	24.0	21	2-2355091-1
18.2	27.1	22.8	20	2-2355091-0
18.2	25.9	21.6	19	1-2355091-9
18.2	24.7	20.4	18	1-2355091-8
18.2	23.5	19.2	17	1-2355091-7
17.0	22.3	18.0	16	1-2355091-6
15.8	21.1	16.8	15	1-2355091-5
14.6	19.9	15.6	14	1-2355091-4
13.4	18.7	14.4	13	1-2355091-3
13.4	16.9	13.2	12	1-2355091-2
12.2	15.7	12.0	11	1-2355091-1
11.0	14.5	10.8	10	1-2355091-0
9.8	13.3	9.6	9	2355091-9
8.6	12.1	8.4	8	2355091-8
7.4	10.9	7.2	7	2355091-7
6.2	9.7	6.0	6	2355091-6
5.0	8.5	4.8	5	2355091-5
4.5	7.3	3.6	4	2355091-4
3.3	6.1	2.4	3	2355091-3
2.5	4.9	1.2	2	2355091-2
C	B	A	POS.	PART NUMBER
DIMENSIONS				

THIS DRAWING IS A CONTROLLED DOCUMENT.		DWN		
DIMENSIONS: mm		CHK		
TOLERANCES UNLESS OTHERWISE SPECIFIED: ±0.3		APVD	NAME SINGLE ROW POST HEADER ASSY MICRO CT CONNECTOR, 1.2mm PITCH VERTICAL-TYPE	
0 PLC ± 1 PLC ± 2 PLC ± 3 PLC ± 4 PLC ± ANGLES ± 3°		PRODUCT SPEC		
MATERIAL		FINISH	APPLICATION SPEC	RESTRICTED TO
			SIZE A3	CAGE CODE 00779
			DRAWING NO. C-2355091	REV D
			SCALE 5:1	SHEET 2 OF 4
			CUSTOMER DRAWING	

printed on 26 Jul 2022 18:12 (from TE133190)

P	LTR	DESCRIPTION	DATE	DWN	APVD
		SEE SHEET 1			



THIS DRAWING IS A CONTROLLED DOCUMENT.		DWN	TE TE Connectivity		
DIMENSIONS: mm		CHK			
TOLERANCES UNLESS OTHERWISE SPECIFIED: ±0.3		APVD	NAME SINGLE ROW POST HEADER ASSY MICRO CT CONNECTOR, 1.2mm PITCH VERTICAL-TYPE		
0 PLC ±		PRODUCT SPEC	SIZE	CAGE CODE	DRAWING NO
1 PLC ±		APPLICATION SPEC	A3	00779	C-2355091
2 PLC ±		WEIGHT	RESTRICTED TO		
3 PLC ±		CUSTOMER DRAWING	-		
4 PLC ±		SCALE	N/A		
ANGLES ± 3°		SHEET	3 OF 4		
FINISH		REV	D		

printed on 26 Jul 2022 18:12 (from TE133190

REVISIONS

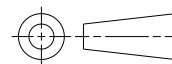
P	LTR	DESCRIPTION	DATE	DWN	APVD
		SEE SHEET 1			

TAPE TYPE	W2	W1	F	E	D	QTY/REEL	POS.	PART NUMBER
TYPE 2	61.4	56.4	52.4	56	26.2	650	25	2-2355091-5
	61.4	56.4	52.4	56	26.2		24	2-2355091-4
	61.4	56.4	52.4	56	26.2		23	2-2355091-3
	49.4	44.4	40.4	44	20.2		22	2-2355091-2
	49.4	44.4	40.4	44	20.2		21	2-2355091-1
	49.4	44.4	40.4	44	20.2		20	2-2355091-0
	49.4	44.4	40.4	44	20.2		19	1-2355091-9
	49.4	44.4	40.4	44	20.2		18	1-2355091-8
	49.4	44.4	40.4	44	20.2		17	1-2355091-7
	49.4	44.4	40.4	44	20.2		16	1-2355091-6
	49.4	44.4	40.4	44	20.2		15	1-2355091-5
	49.4	44.4	40.4	44	20.2		14	1-2355091-4
	49.4	44.4	40.4	44	20.2		13	1-2355091-3
	49.4	44.4	40.4	44	20.2		12	1-2355091-2
	49.4	44.4	40.4	44	20.2		11	1-2355091-1
TYPE 1	29.4	24.4	-	24	11.5	9	2355091-9	
	29.4	24.4	-	24	11.5	8	2355091-8	
	29.4	24.4	-	24	11.5	7	2355091-7	
	29.4	24.4	-	24	11.5	6	2355091-6	
	29.4	24.4	-	24	11.5	5	2355091-5	
	29.4	24.4	-	24	11.5	4	2355091-4	
	21.4	16.4	-	16	7.5	3	2355091-3	
	21.4	16.4	-	16	7.5	2	2355091-2	

DIMENSIONS

THIS DRAWING IS A CONTROLLED DOCUMENT.

DIMENSIONS:
mm



TOLERANCES UNLESS OTHERWISE SPECIFIED:

±0.3

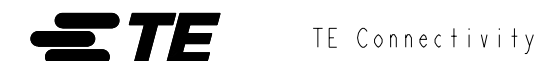
0-PLC ±
1-PLC ±
2-PLC ±
3-PLC ±
4-PLC ±

ANGLES ± 3°

FINISH

MATERIAL

DWN
CHK
APVD
PRODUCT SPEC
APPLICATION SPEC
WEIGHT
CUSTOMER DRAWING



NAME
SINGLE ROW POST HEADER ASSY
MICRO CT CONNECTOR, 1.2mm PITCH
VERTICAL-TYPE

SIZE A3	CAGE CODE 00779	DRAWING NO C-2355091	RESTRICTED TO -
------------	--------------------	-------------------------	--------------------

printed on 26 Jul 2022 18:12 (from TE133190