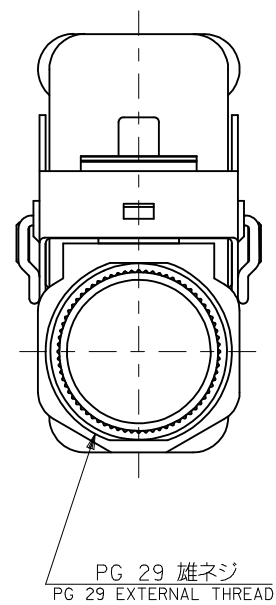
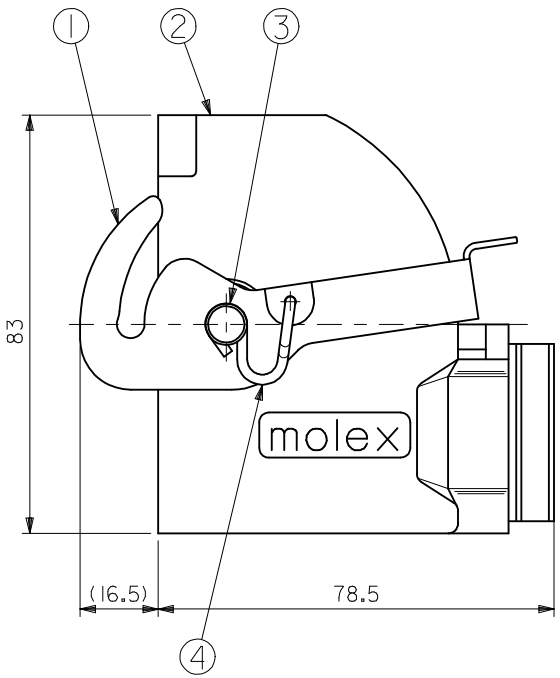
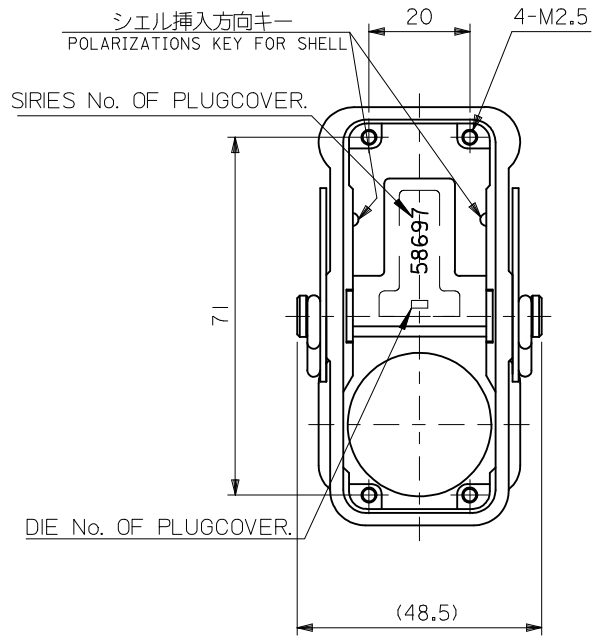


部番	部品名	数量	材質	記事
①	レバー LEVER	1	鋼 STEEL	塗装処理 PAINTING
②	プラグカバー PLUG COVER	1	アルミ合金 ALUMINIUM ALLOY	—#—
③	ロックピン LOCKING PIN	2	ステンレス STAINLESS STEEL	—#—
④	レバースプリング LEVER SPRING	2	ステンレス STAINLESS STEEL	—#—



- NOTES:
- 適用プラグシエルアセンブリー
APPLICABLE PLUG SHELL ASS'Y
1) TYPE A : 58687-0010
2) TYPE B : 58687-0020
 - 適用エンドベルキャップセット
APPLICABLE END BELL CAP SET
58550-****

58696-0010	58696-0010
MATERIAL NO.	MODEL NO.

REVISED EC NO: J2009-0816 DRWN: YMAEDA 2008/11/05 CHKD: NUKITA 2008/12/19 APPR: NUKITA 2008/12/19	DESCRIPTION	GENERAL TOLERANCES (UNLESS SPECIFIED)		DIMENSION STYLE MM ONLY		SCALE 1:1	DESIGN UNITS METRIC	THIRD ANGLE PROJECTION	
		10 UNDER	±0.2	DRAWN BY M. HOSONO	DATE 1998/04/15	POWER CONN 36P PLUG COVER ASSY			
		10 OVER 30 UNDER	±0.25	CHECKED BY Y. ITO	DATE 1998/04/15				
		30 OVER	±0.3	APPROVED BY N. KOSUGI	DATE 1998/04/15				
REV	DESCRIPTION	ANGULAR	±3 °	MATERIAL NO.	SEE TABLE	DOCUMENT NO.	MOLEX INCORPORATED		
		DRAFT WHERE APPLICABLE MUST REMAIN WITHIN DIMENSIONS		SIZE A3	THIS DRAWING CONTAINS INFORMATION THAT IS PROPRIETARY TO MOLEX INCORPORATED AND SHOULD NOT BE USED WITHOUT WRITTEN PERMISSION				SHEET NO. 1 OF 1

注記:
NOTES:

関連図面
RELATION DRAWING

<適用ハウジング及び適用端子>
<APPLICABLE HOUSING AND TERMINAL>

	適用ハウジング APPLICABLE HOUSING	適用端子 APPLICABLE TERMINAL
ピン ハウジング PIN HOUSING	SD-51192-002	SD-5558-001 SD-5558-002
ソケット ハウジング SOCKET HOUSING	SD-51193-002	SD-5556-004
プラグ ハウジング PLUG HOUSING	SD-503193-001	SD-503195-001
リセプタクル ハウジング RECEPTACLE HOUSING	SD-503194-001	SD-503196-001

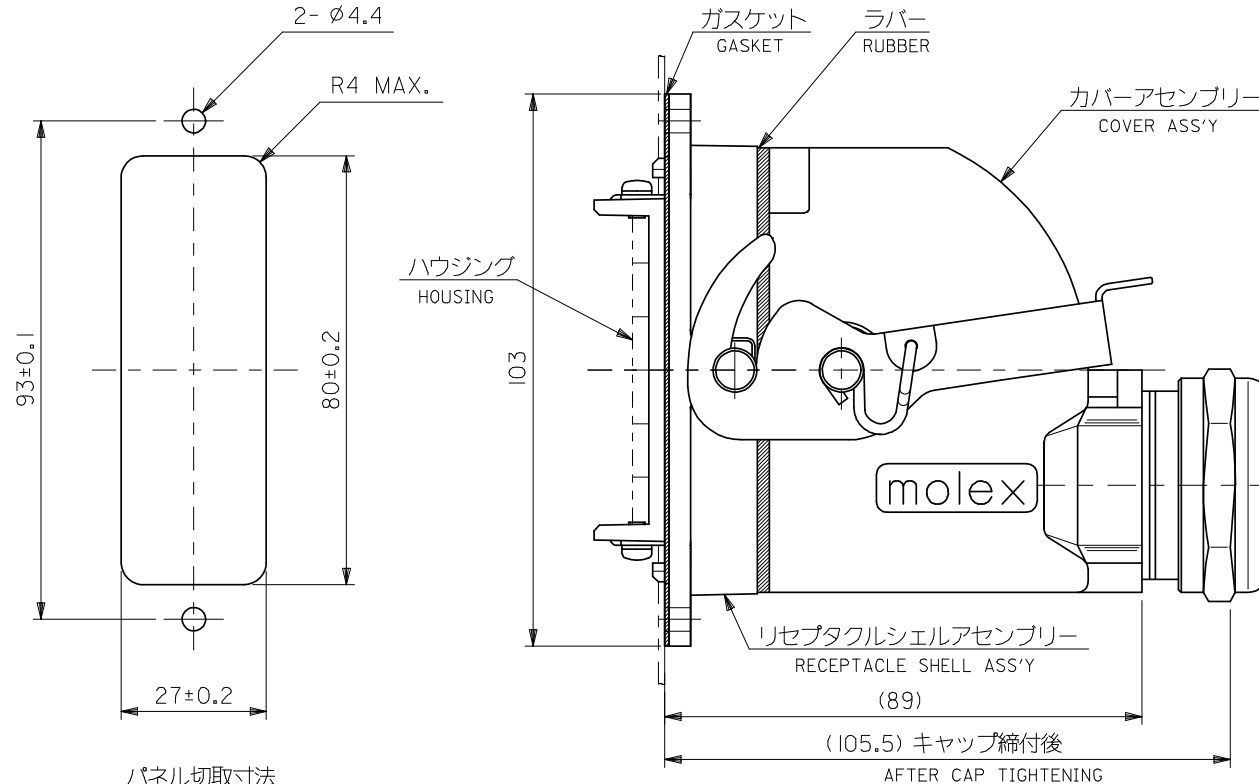
<共通部品>
<COMMON PARTS>

リセプタクルシェル アッセンブリ RECEPTACLE SHELL ASSEMBLY	SD-58691-002
プラグシェル アッセンブリ PLUG SHELL ASSEMBLY	SD-58687-002
カバー アッセンブリ COVER ASSEMBLY	SD-58696-002
カバー (中継用) COVER (FOR CONJUNCTION)	SD-56386-002
エンドベルキャップセット END BELL CAP SET	SD-58550-****
リセプタクル側ダストカバー DUST COVER FOR RECEPTACLE	SD-51201-002

関連規格
RELATION NORMATIVE

VDE0110 250V 汚染度Ⅲ
過電圧カテゴリーⅡに適合
APPLICABLE 250V POLLUTION DEGREE
AND OVER VOLTAGE CATEGORY

保護等級 IP65
DEGREE OF PROTECTION



パネル切取寸法
PANEL OPENING DIMENSION

REVISED EC NO: J2008-3396 DRWN: SAKIYAMA 2008/03/25 CHKD: SSAT003 2008/03/26 APPR: SICHIKAWA 2008/03/26	GENERAL TOLERANCES (UNLESS SPECIFIED)	DIMENSION STYLE MM ONLY	SCALE 1:1	DESIGN UNITS METRIC	THIRD ANGLE PROJECTION	
	10 UNDER ±0.2	DRAWN BY H. HOSONO	DATE '98/04/15	TITLE POWER CONN 36P MATED CONNECTOR		
	10 OVER 30 UNDER ±0.25	CHECKED BY YO. ITO	DATE '98/04/15	MOLEX INCORPORATED		
	30 OVER ±0.3	APPROVED BY H. IKESUGI	DATE '98/04/15			
	ANGULAR ±3 °	MATERIAL NO. #	DOCUMENT NO. SD-58696-003	SHEET NO. 1 OF 1		
DRAFT WHERE APPLICABLE MUST REMAIN WITHIN DIMENSIONS	SIZE A3	THIS DRAWING CONTAINS INFORMATION THAT IS PROPRIETARY TO MOLEX INCORPORATED AND SHOULD NOT BE USED WITHOUT WRITTEN PERMISSION				