

10 9 8 7 6 5 4 3 2 1

F

E

D

C

B

A

F

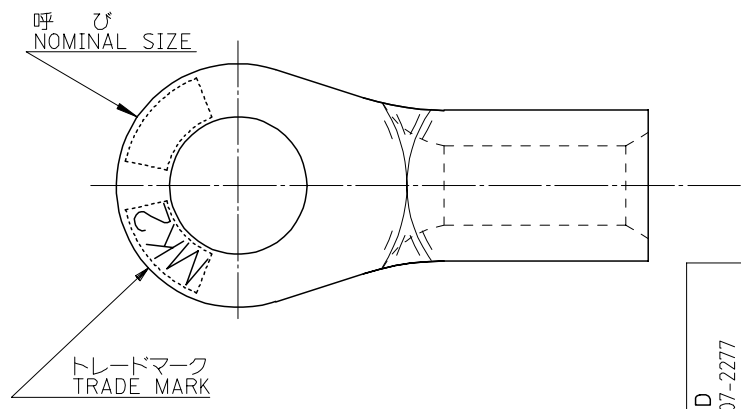
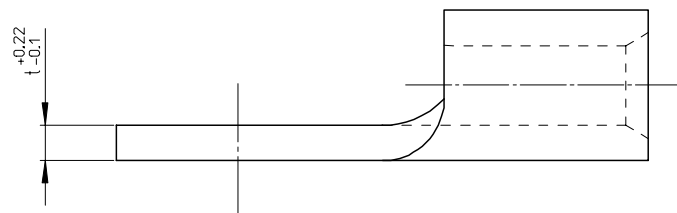
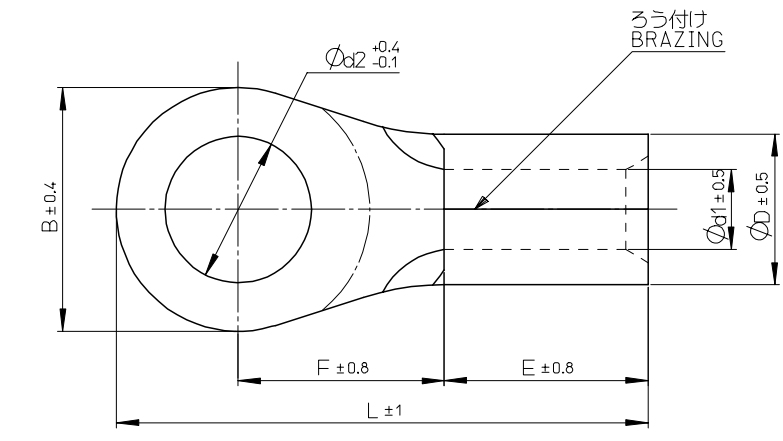
E

D

C

B

A



注記 NOTES

- 1 材質 MATERIAL
 端子: 無酸素銅、スズメッキ
 TERMINAL: OXYGEN-FREE COPPER, TIN PLATING
 ろう付け部: 銀ろう
 PART OF BRAZING: SILVER SOLDER
- 2 適用電線 APPLICABLE WIRE RANGE

| 単線 SOLID WIRE | 撚線 STRANDED WIRE |
|------------------|-----------------------------|
| 8.26-9.27 mm | 60.57-76.28 mm ² |

| | | | | | | | | | | |
|---|------|----|------------|----|------|------|----|--------------------|----------|------------|
| 2 | 25 | 61 | 26 | 19 | 13.3 | 17.5 | 32 | 70 | 24 | 50862-7925 |
| | 21 | | | | | | | | 20 | -7825 |
| | 19 | | | | | | | | 18 | -7725 |
| | 17 | | | | | | | | 16 | -7625 |
| | 15 | | | | | | | | 14 | -7525 |
| | 13 | 12 | -7425 | | | | | | | |
| | 11.5 | 11 | -7325 | | | | | | | |
| | 10.5 | 10 | -7225 | | | | | | | |
| | 8.4 | 8 | -7125 | | | | | | | |
| | 6.4 | 6 | 50862-7025 | | | | | | | |
| t | d2 | L | F | E | d1 | D | B | 呼び NOMINAL SIZE | ENG. NO. | |

| | | | | | | | | | |
|--|---------------------------------------|-----------|----------------------------|--------------------|------------------------------------|------------------------|------------------------|--|--|
| RELEASED EC NO: J2007-2277 DRWNG: ITO 2007/03/27 CHKD: KASAHARA 2007/05/18 APPR: NUKITA 2007/05/21 | GENERAL TOLERANCES (UNLESS SPECIFIED) | | DIMENSION STYLE MM ONLY | | SCALE --- | DESIGN UNITS METRIC | THIRD ANGLE PROJECTION | | |
| | 10 UNDER | ± --- | DRAWN BY K. ITO | DATE 2007/02/06 | TITLE RING TERMINAL | | | | |
| | 10 OVER 30 UNDER | ± --- | CHECKED BY K. KASAHARA | DATE 2007/02/06 | MOLEX INCORPORATED SD-50862-001 | | | | |
| | 30 OVER | ± --- | APPROVED BY N. UKITA | DATE 2007/02/06 | | | | | |
| | ANGULAR | ± --- ° | MATERIAL NO. | | DOCUMENT NO. | | SHEET NO. | | |
| DRAFT WHERE APPLICABLE MUST REMAIN WITHIN DIMENSIONS | | SEE CHART | | SD-50862-001 | | 1 OF 1 | | | |