



DIGI XBEE 3 CELLULAR LTE CAT 1 DEVELOPMENT KIT

The Digi XBee 3 Cellular LTE Cat 1 development kit provides OEMs with a simple, quick way to integrate cellular connectivity into their devices

The Digi XBee® 3 Cellular embedded smart modem brings together the power and flexibility of the Digi XBee Ecosystem with the latest in LTE cellular technology. OEMs can quickly integrate cutting edge LTE cellular into their devices and applications, eliminating the painful, time-consuming and expensive FCC and carrier end-device certification process.

Digi XBee 3 Cellular development kits help developers integrate cellular connectivity into applications using Digi XBee 3 embedded modems. Starting with simple examples, we provide step-by-step guidance as you assemble the kit components to create reliable, low-power cellular communication connectivity for OEM devices like sensors and monitoring systems.

Each kit includes three months of cellular data service, pre-activated and ready to go, so your team can focus on your primary goal: prototyping and developing products.

This kit is designed for anyone interested in getting started in the world of embedded cellular. Hardware and software engineers, corporate technologists, or educators and students can quickly learn more about cellular integration using the hands-on examples included in the kit.

With the full suite of standard Digi XBee API frames and AT commands, Digi XBee customers can seamlessly transition to this new embedded modem with only minor software

Your Kit Includes:

- ✓ Digi XBee 3 Cellular LTE Cat 1 embedded modem
- ✓ Digi XBee 3 development board
- ✓ LTE Cat 1 SIM
- ✓ 3 months of free cellular service*
- ✓ Antennas

NUMBER	DESCRIPTION
XK3-C-A1-UT-U	Digi XBee 3 Cellular LTE Cat 1 Development Kit, AT&T
XK3-C-V1-T-UB	Digi XBee 3 Cellular LTE Cat 1 Development Kit, Verizon

*Service is limited to ~5MB/month and limited SMS. For testing purposes only; not for production.

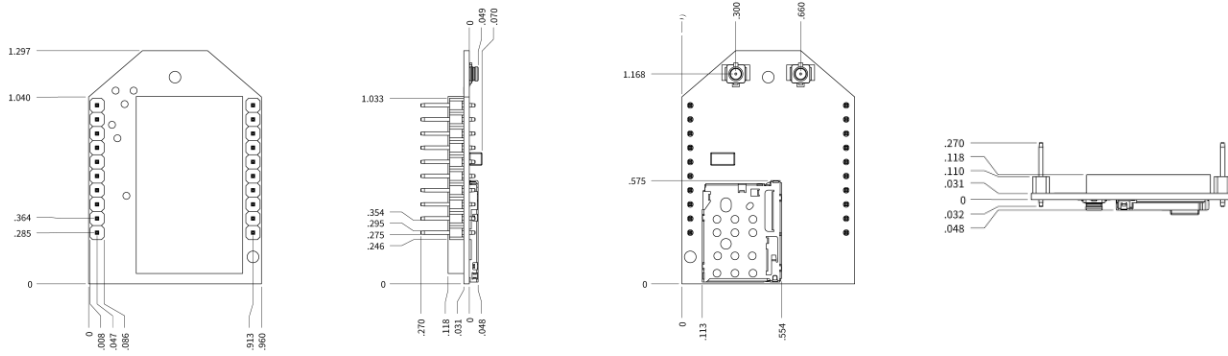
adjustments. OEMs can future proof their designs by adding Digi XBee 3 Cellular. Ideal for any OEM business following an agile roadmap, Digi XBee 3 Cellular provides the flexibility to switch between wireless protocols or upgrade to LTE Cat M1 or NB-IoT.

SPECIFICATIONS

Digi XBee 3 Cellular LTE Cat 1 Smart Modem

HARDWARE	
CELLULAR CHIPSET	Telit LE866A1-NA (AT&T), LE866-SV1 (Verizon)
FORM FACTOR	Digi XBee 20-pin through-hole
ANTENNA OPTIONS	1 U.FL: Cellular Primary, 1 U.FL: Cellular Diversity Embedded Bluetooth Antenna
DIMENSIONS	24.38 mm x 32.94 mm (0.96 in x 1.3 in)
OPERATING TEMPERATURE	-40° C to 80° C (-40° F to 176° F)
SIM SIZE	4FF Nano
INTERFACE AND I/O	
DATA INTERFACE	UART, SPI, USB
OPERATING MODES	Transparent and API over serial, PPP over USB
SECURITY	Digi TrustFence® security with Secure Boot and Protected JTAG
CONFIGURATION TOOLS	Digi XCTU® (local), Digi Remote Manager (OTA)
EMBEDDED PROGRAMMABILITY	MicroPython with 512K flash / 64K RAM
I/O	4 ADC lines (10-bit), 13 Digital I/O, I2C
BLUETOOTH	BLE
CELLULAR CHARACTERISTICS	
TRANSMIT POWER	Up to 23 dBm
RECEIVE SENSITIVITY	-102dBm
CARRIER APPROVALS	AT&T End-Device Certified Bell End-Device Certified Telus End-Device Certified Verizon End-Device Certified Compatible with other LTE Cat 1 carriers; see Supported Bands
SUPPORTED BANDS	Bands 2,4,12 Bands 4, 13 (Verizon module)
DOWNLINK/UPLINK SPEEDS	10 Mbit/s Downlink, 5 Mbit/s Uplink (USB) 921 Kbit/s Downlink and Uplink (UART)
DUPLEX MODE	Full-duplex
POWER REQUIREMENTS (AT 3.3 VDC INPUT POWER)	
SUPPLY VOLTAGE	3.0 to 5.5 V
PEAK TRANSMIT CURRENT	1000 mA Bluetooth Disabled 1060 mA Bluetooth Enabled
AVG TRANSMIT CURRENT	850 mA
AVG RECEIVE CURRENT	320 mA
REGULATORY AND CARRIER APPROVALS	
FCC (USA)	MCQ-XB3C1 and RI7XE866A1NA, MCQ-XB3C1 and RI7LE866SV1A (for Verizon module)
IC (CANADA)	1846A-XB3C1 and 5131A-XE866A1-NA, 1846A-XB3C1 and 5131A-LE866-SV1A (for Verizon module)
AT&T END-DEVICE CERTIFIED	Complete (XB3-C-A1-UT-001 only)
VERIZON END-DEVICE CERTIFIED	Complete (XB3-C-V1-UT-001 only)
TELUS END-DEVICE CERTIFIED	Complete (XB3-C-A1-UT-001 only)
BELL END-DEVICE CERTIFIED	Complete (XB3-C-A1-UT-001 only)
PTCRB	Complete (XB3-C-A1-UT-001 only)

PRODUCT IMAGES



FOR MORE INFORMATION
PLEASE VISIT Digi.COM

It's the easy and fast way to build a wireless cellular device using Digi's XBee modules. To learn more visit www.digi.com/xbeecellular.

877-912-3444 | 952-912-3444

