

RPM5510

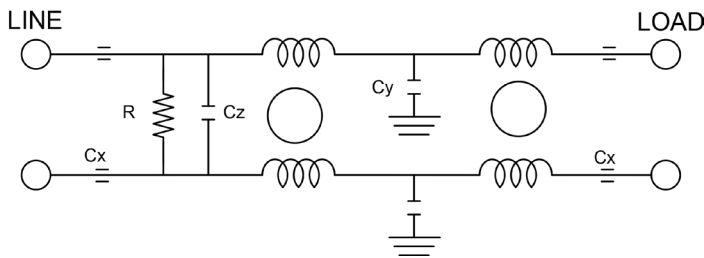
TEMPEST/COTS AC EMI POWER LINE FILTER

FEATURES

- » Rated currents include **5A, 10A, 15A and 25A**
- » Dual Stage Line Filter
- » Available with **S** (studs)
- » Agency Approved to RoHS
- » Y-cap value can be adjusted to fit specification



ELECTRICAL SCHEMATIC



SPECIFICATIONS

OPERATING FREQUENCY	50/60/400 Hz
MAX. OPERATING VOLTAGE*	300 VAC +10%
AMBIENT TEMPERATURE	-40 TO 70°C
CLIMATIC CATEGORY	25/100/21
TERMINALS (-T)	STUDS: 5-25A (M5)
TYP. WEIGHT, LBS (KG)	1.4-2.2(0.63-0.99)

HIPOT RATINGS

LINE TO GROUND	1500 VDC
----------------	----------

HOW TO ORDER

RPT5510 - Y - Z

Z = TERMINAL (-T)
X = RATED CURRENT

RPT5510=FILTER SERIES

NOTE: USE ANY COMBINATION OF -X (AMPS) WITH ANY -Y RATINGS

E.G. **RPT5510-5-S** (5 AMPS)

For **X** and **Y** options see product specification table.

TYPICAL APPLICATIONS

- ✓ TEMPEST/Mil-461/DO-160

NOTE:

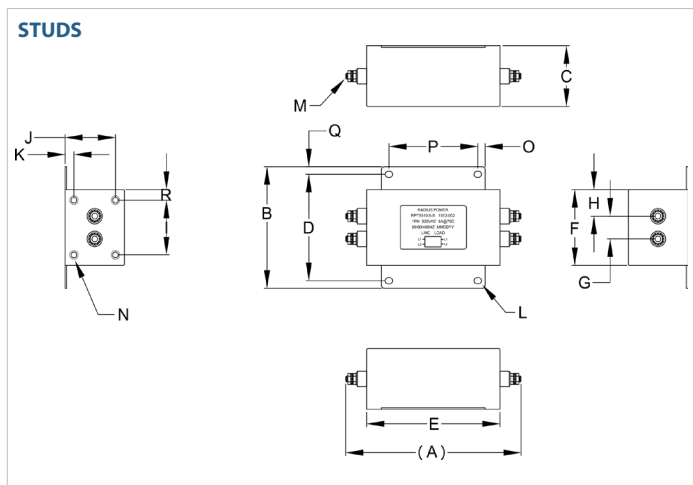
- ✓ Call for other termination types (e.g. Circular Mil Connectors, etc.) Leakage current is directly related to the line-ground caps in the filter. If higher leakage current is allowed, the caps can be increased to improve the low frequency insertion loss.

RPM5510

TEMPEST/COTS AC EMI POWER LINE FILTER

MODEL NO.	RATED CURRENT, A @ 40° C	LEAKAGE CURRENT mA, @ 250V AC/60 Hz	TERMINAL OPTIONS			MAX. DIMENSIONS" (MM)		
			(QD) INPUT/ OUTPUT	(W) INPUT/ OUTPUT	(S) INPUT/ OUTPUT	WIDTH	(LENGTH)	HEIGHT
RPT5510-5-S	5	3.50			✓	4.00"(102)	5.92"(150)	2.00"(51)
RPT5510-10-S	10	3.50			✓	4.00"(102)	5.92"(150)	2.00"(51)
RPT5510-15-S	15	3.50			✓	4.00"(102)	5.92"(150)	2.00"(51)
RPT5510-25-S	25	3.50			✓	4.00"(102)	5.92"(150)	2.00"(51)

RPT5510 MECHANICAL OUTLINES (MM)



SERIES	(A)	B	C	D	E	F	G	H	I	J	K	L	M	N	O	P	Q	R
STUDS	5.92" (150)	4.00" (102)	2.00" (51)	3.50" (89)	4.50" (114)	2.50" (64)	0.75" (19)	0.87" (22)	1.80" (46)	1.70" (43)	0.30" (8)	Ø 0.25"x0.20",4x (Ø 6.35x5.08, 4x)	STUD, M5, 4x	INSERT, B-632, 4x	0.25" (6)	3.00" (76)	0.25" (6)	0.35" (9)

TYPICAL TOLERANCE: +/-0.02" (0.50MM)

RPM5510

TEMPEST/COTS **AC** EMI POWER LINE FILTER

TYPICAL INSERTION LOSS, dB (50/50 Ohm)

Amps	Freq (MHz)	0.15	0.5	1.0	10	30
5	CM (dB)	40	60	70	70	70
	DM (dB)	-	-	-	-	-
10	CM (dB)	40	60	70	70	70
	DM (dB)	-	-	-	-	-
15	CM (dB)	40	60	70	70	70
	DM (dB)	-	-	-	-	-
25	CM (dB)	40	60	70	70	70
	DM (dB)	-	-	-	-	-