

POSITIONS/ CONTACTS	A		B	
	INCH	MM	INCH	MM
05/20	0.315	8.00	0.398	10.11
06/24	0.394	10.00	0.477	12.11
07/28	0.472	12.00	0.556	14.11
08/32	0.551	14.00	0.634	16.11
09/36	0.630	16.00	0.713	18.11
10/40	0.709	18.00	0.792	20.11
11/44	0.787	20.00	0.870	22.11
12/48	0.866	22.00	0.949	24.11
13/52	0.945	24.00	1.028	26.11
14/56	1.024	26.00	1.107	28.11
15/60	1.102	28.00	1.185	30.11
16/64	1.181	30.00	1.264	32.11
17/68	1.260	32.00	1.343	34.11
18/72	1.339	34.00	1.422	36.11
19/76	1.417	36.00	1.500	38.11
20/80	1.496	38.00	1.579	40.11
21/84	1.575	40.00	1.658	42.11
22/88	1.654	42.00	1.737	44.11
23/92	1.732	44.00	1.815	46.11
24/96	1.811	46.00	1.894	48.11
25/100	1.890	48.00	1.973	50.11
26/104	1.969	50.00	2.052	52.11
27/108	2.047	52.00	2.130	54.11
28/112	2.126	54.00	2.209	56.11
29/116	2.205	56.00	2.288	58.11
30/120	2.283	58.00	2.367	60.11

PART NUMBER CODING

NPxNxx4EFCN-RC

NUMBER OF POSITIONS

(CONTACTS PER ROW, 05 THRU 30)

PLATING

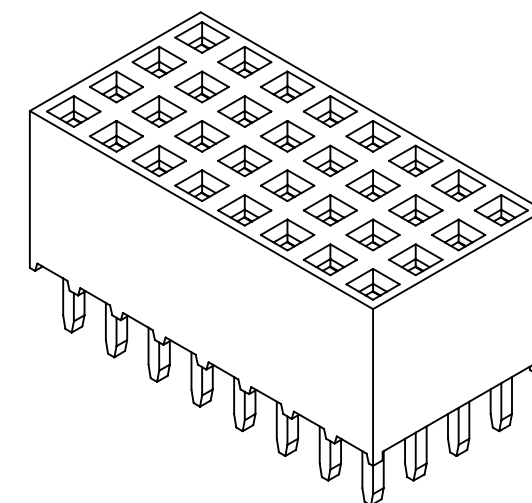
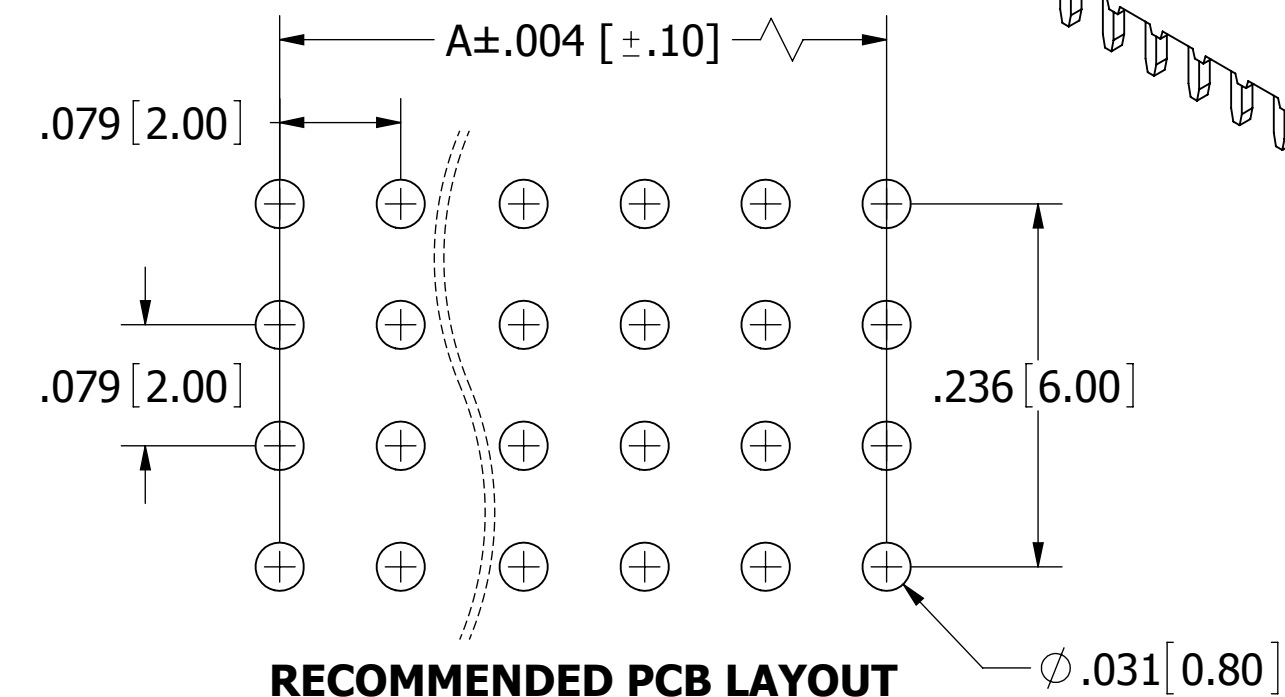
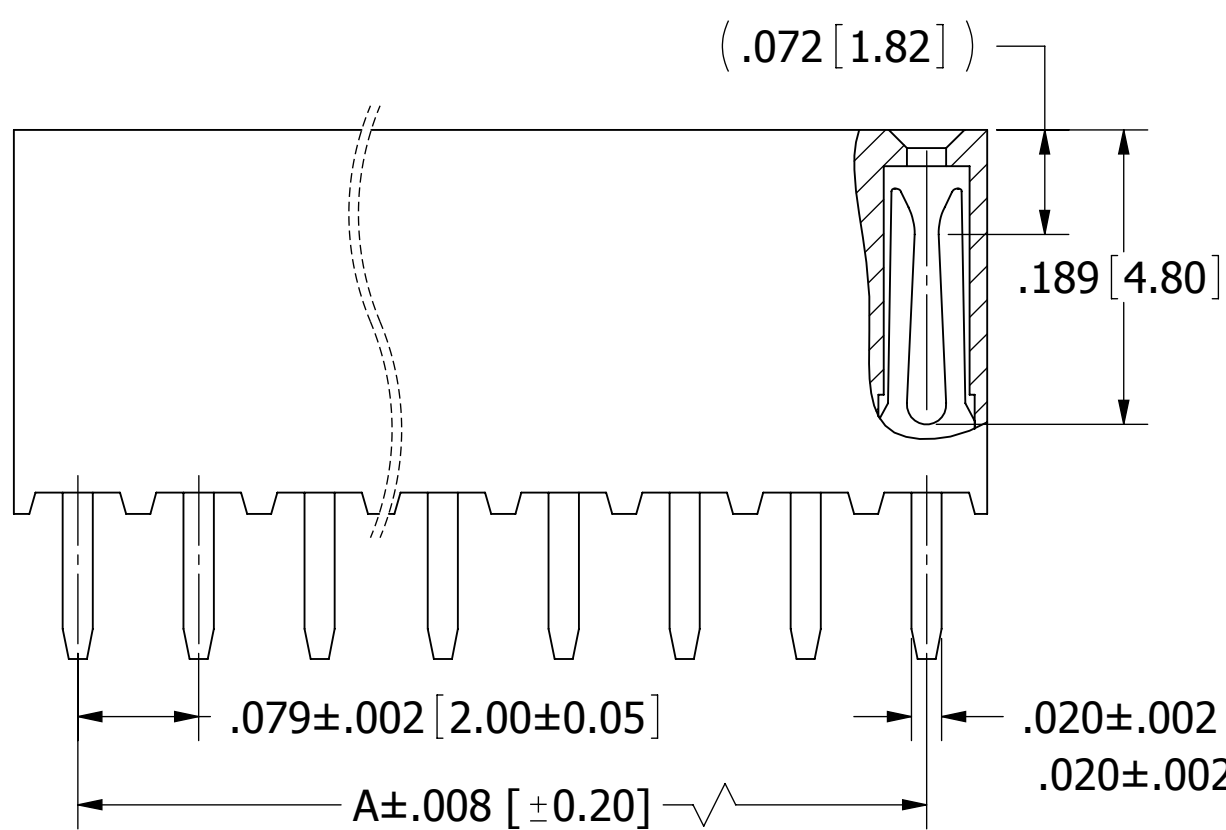
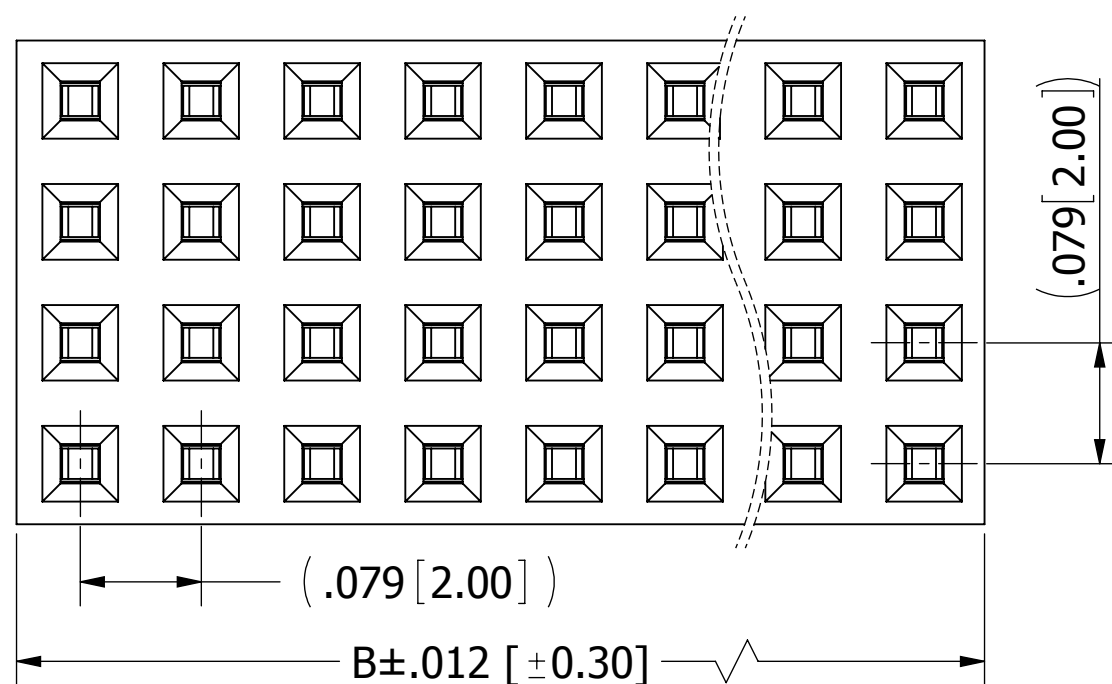
P = GOLD FLASH OVERALL.

R = 20u" GOLD ON CONTACTS, PURE TIN ON TERMINATIONS.

INSULATOR MATERIAL

N = NYLON 6T, UL 94V-0.

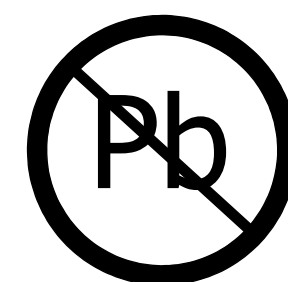
P = OBSOLETE, REPLACE WITH N.



NOTES:

1. INSULATOR MATERIAL: SEE PART NUMBER CODING.
2. CONTACT MATERIAL: PHOSPHOR BRONZE.
3. CONTACT PLATING: SEE PART NUMBER CODING.
4. CURRENT RATING: 2 AMPS
5. INSULATOR RESISTANCE: 5000 MEGOHMS MIN.
6. CONTACT RESISTANCE: 20 MILLIOHMS MAX.
7. DIELECTRIC WITHSTANDING: AC 500V.
8. OPERATING TEMPERATURE: -40° C TO +105° C.
9. PROCESSING TEMP.: WAVE/MANUAL SOLDERING ONLY.
10. MATES WITH SULLINS .079 [2.00] CONTACT CENTER MALE HEADER SERIES. (.020 [0.50] SQUARE POSTS)

05-20, 0.20mm MAX.
21-30, 0.30mm MAX.



RoHS COMPLIANT

UNLESS OTHERWISE SPECIFIED: DIMENSIONS ARE IN INCHES [MM]	DRAWN	DATE	NAME	
		01/10/2009	JH	
TOLERANCES: ANGULAR: ± 5° DECIMALS .X = ± .012 [30] .XX = ± .008 [20] .XXX = ± .006 [15]	THE INFORMATION HEREIN CONTAINS PROPRIETARY INFORMATION OF SULLINS ELECTRONICS AND IS NOT TO BE REPRODUCED, USED OR DISCLOSED TO OTHERS FOR ANY PURPOSE EXCEPT AS SPECIFICALLY AUTHORIZED IN WRITING BY AN OFFICER OF SULLINS ELECTRONICS.			TITLE
				HEADER, FEMALE 2mm CC, 4 ROWS, ST
PART NUMBER				REV
NPxNxx4EFCN-RC				E
SIZE	CAGE CODE	DWG. NO.		
C	54453	10665		
SCALE: 12:1	SHEET 1 OF 1			