



MADE IN THE USA

Product Description:

- Glove Box Dispenser - Single - Large Capacity with Flexible Spring
- Holds one large capacity box of gloves
- Two-way keyholes for vertical or horizontal wall mounting
- Stainless Steel

Primary Area for Product Usage:

- Anywhere gloves are needed

Dispenses:

- Box(es) no larger than 6.44"W x 10.00"H x 3.75"D (16.4 cm x 25.4 cm x 9.5 cm)
- Box(es) no smaller than 5.00"W x 9.00"H x 3.00"D (12.7 cm x 22.9 cm x 7.6 cm)

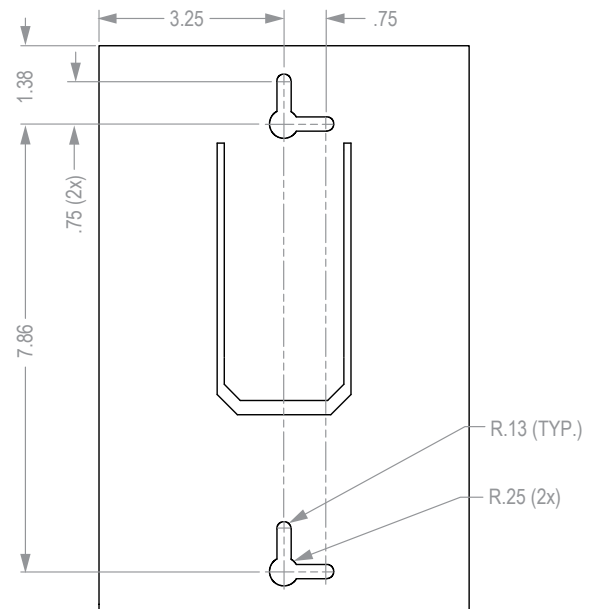
Package Specifications:

- Package Quantity: 12 per case
- 20"W x 16"H x 12"D (50.8 cm x 40.6 cm x 30.5 cm)
- 24 lbs (10.9 kg) - approximated

Product Specifications (overall external dimensions):

- 6.50"W x 9.96"H x 3.80"D (16.5 cm x 25.3 cm x 9.7 cm)
- 1.5 lbs (0.7 kg) - approximated

Mounting Specifications:



Related Products (each sold separately):

- GS-108: Glove Box Dispenser - Double - Space Saver (shown below)
- GS-109: Glove Box Dispenser - Triple - Space Saver

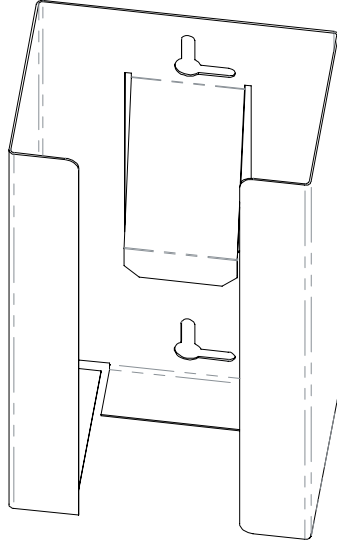




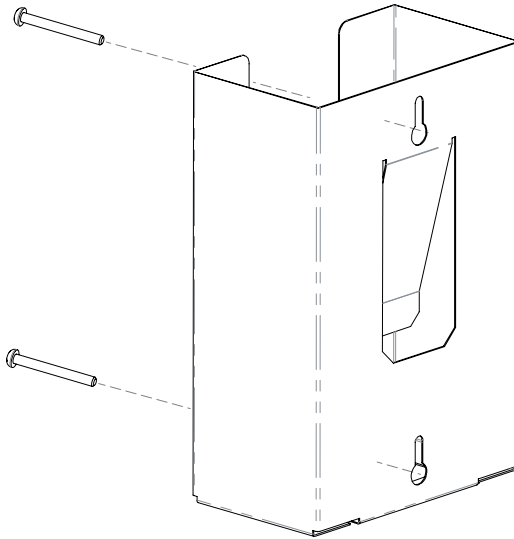
Installation

Always mount dispensers securely *prior* to loading with product.

- Mount securely to a wall with screws approved and supplied by building maintenance.

**1**

- Dispenser can be mounted onto a BOWMAN® door or wall hanger through the cutout in the back.

**2****Parts included:**

- Dispenser

Tools Required:

- No tools required to assemble dispenser

Care and Construction Stainless Steel

Material Characteristics

Designed for Long-Term, Heavy-Duty Applications

By its nature, stainless steel is resistant to corrosion and oxidation, yet the bright, easily maintained surface provides a modern and attractive appearance. Stainless steel is used overwhelmingly for its corrosion resistance characteristics. Along with being sturdy, stainless steel is also fire and heat resistant.

Stainless steel has work-hardening properties, giving the material a great strength-to-weight advantage over other materials. It also provides impact resistance and high toughness in extreme temperatures.

Care and Cleaning

Stainless steel resists a variety of common chemicals and cleaning agents. Clean using warm water, a gentle detergent, and soft cloth. Dry thoroughly to avoid spotting. Do not use steel wool.