

Type ANM-I

Automotive Blade Fuse

Miniature – LED Indicating



www.optifuse.com (619) 593-5050

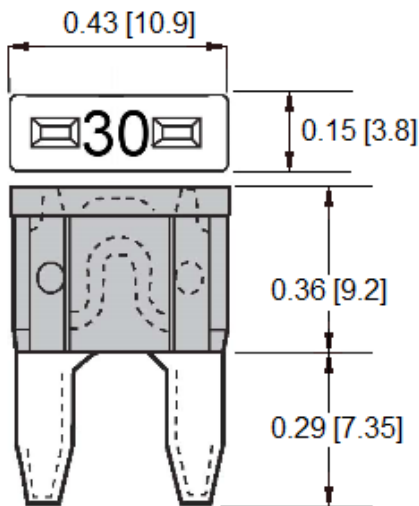
Specifications:

- Voltage: 32VDC
- Amperage: 2A, 3A, 4A, 5A, 7.5A, 10A, 15A, 20A, 25A, 30A
- Body: PA 66
- Indicating LED when fuse is opened
- Terminals: Zinc alloy
- Designed to meet SAE and ISO 8820 Standards.
- Interrupt Rating – 1000A @ 32 VDC

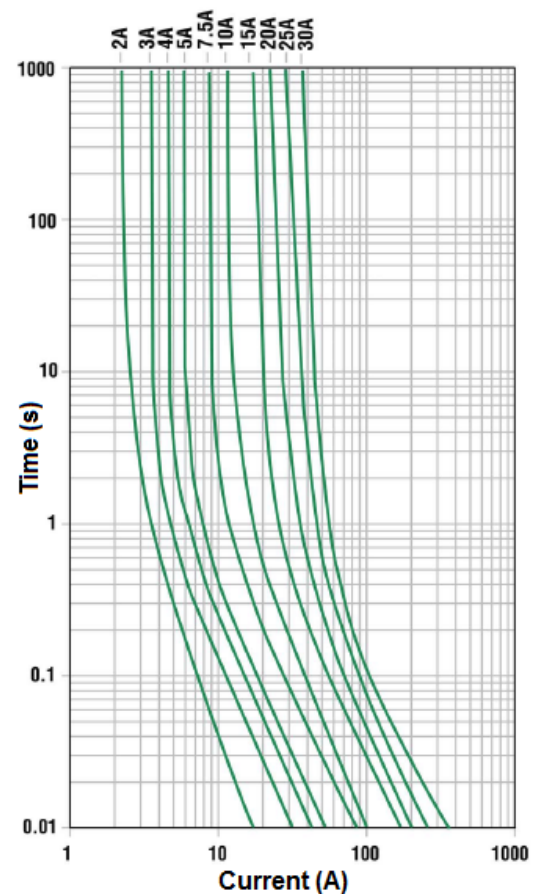
Part Number	Amperage	Body Color
ANM-I-2A	2A	Gray
ANM-I-3A	3A	Violet
ANM-I-4A	4A	Pink
ANM-I-5A	5A	Tan
ANM-I-7.5A	7.5A	Brown
ANM-I-10A	10A	Red
ANM-I-15A	15A	Blue
ANM-I-20A	20A	Yellow
ANM-I-25A	25A	Clear
ANM-I-30A	30A	Green

Time Characteristics:		
% of Rated Current	Min Hold Time	Max Hold Time
110%	100h	~
135%	~	1800s
200%	~	5s

Mechanical Dimensions: Inches [mm]



Time Current Curve



Warning:



- Operation beyond the specified maximum ratings or improper use may result in damage and possible electrical arcing and/or flame.
- Avoid contact of device with chemical solvent. Prolonged contact will damage the device performance.