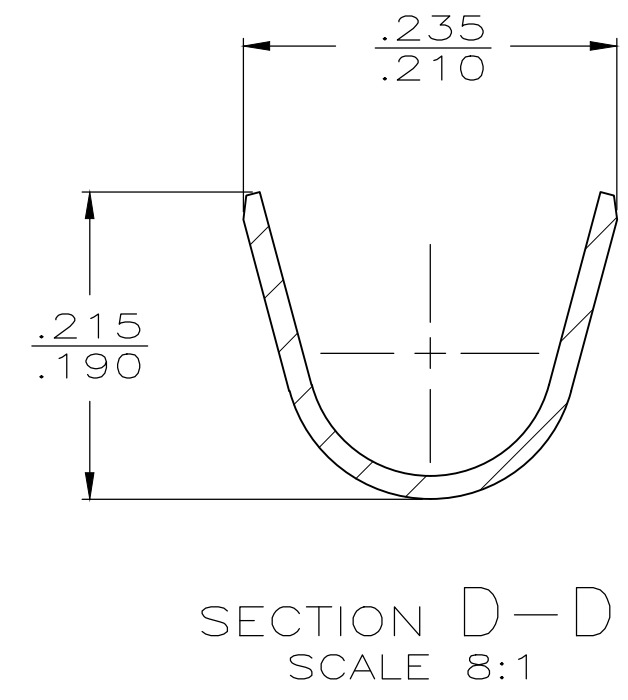
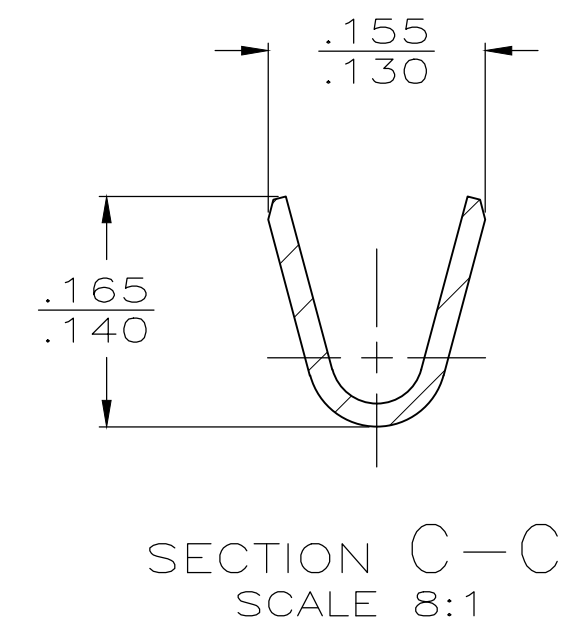
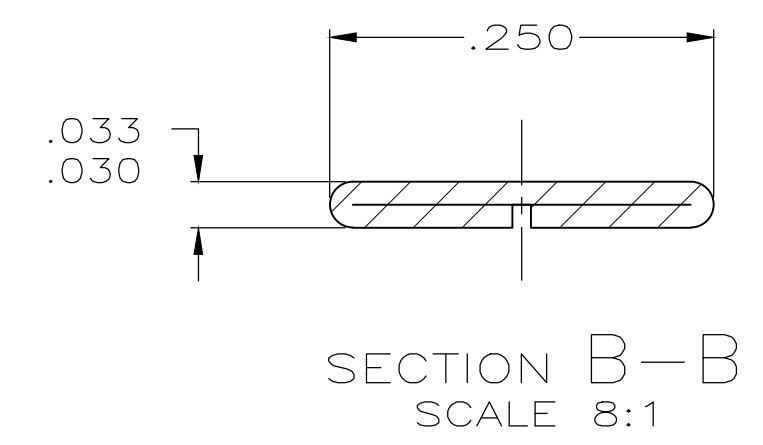
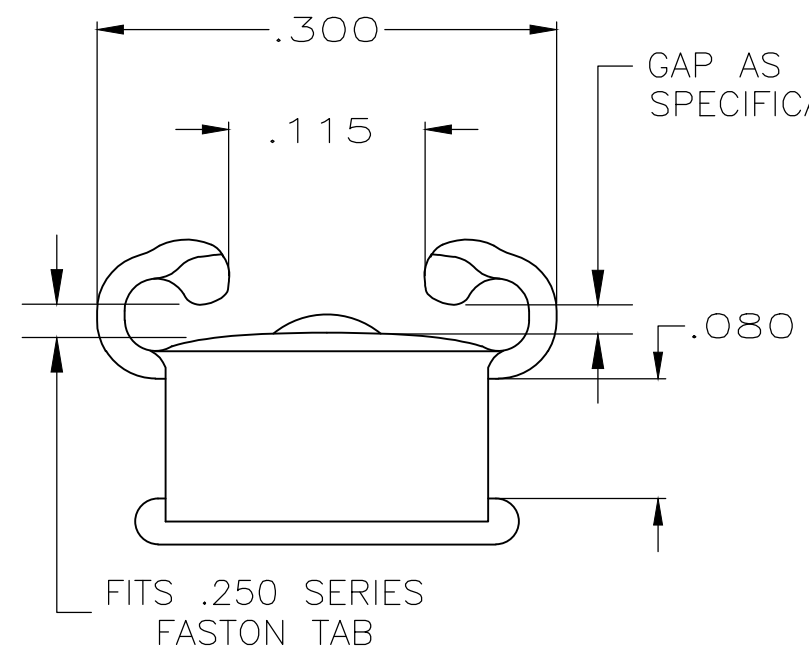
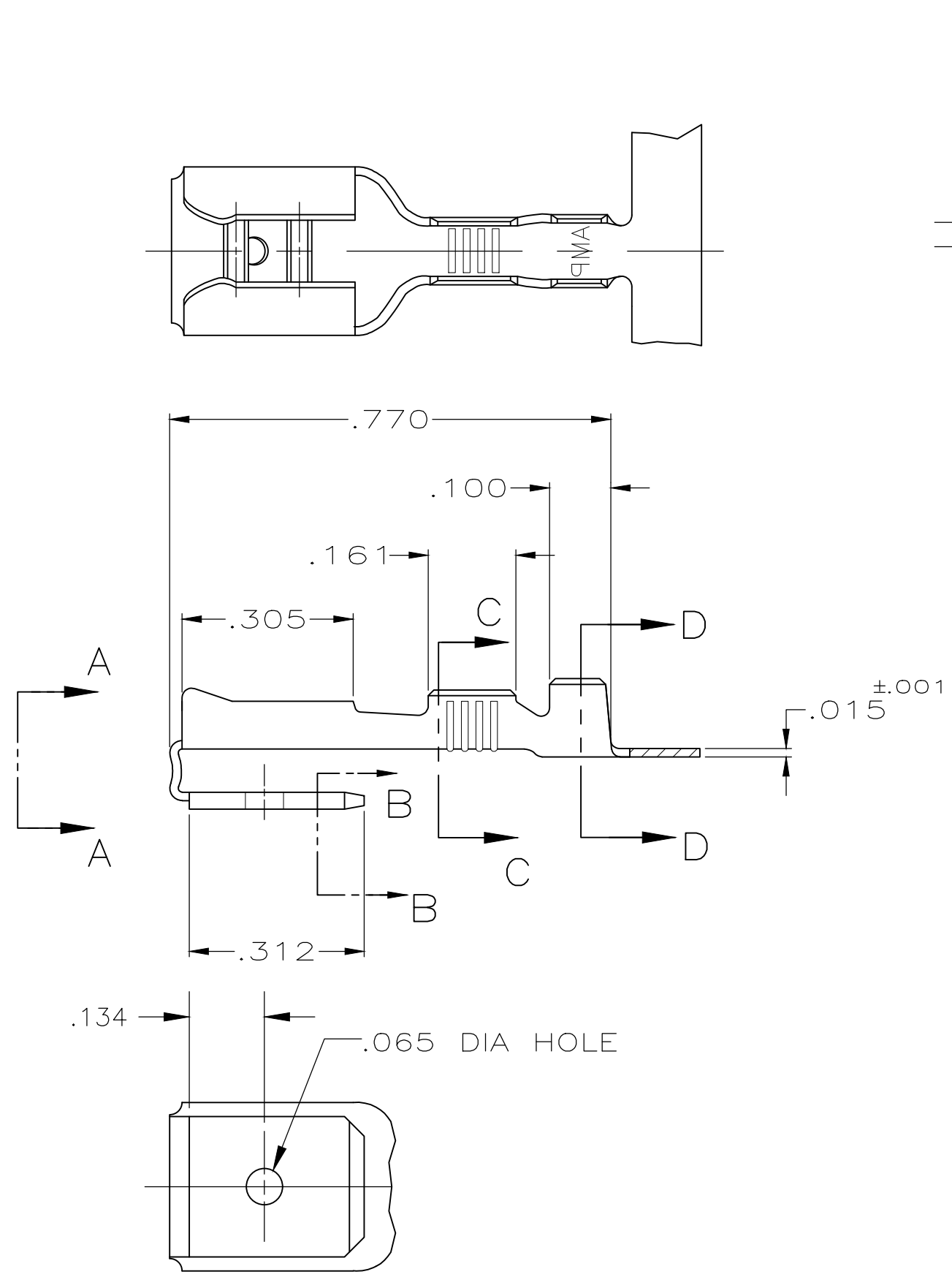


THIS DRAWING IS UNPUBLISHED. RELEASED FOR PUBLICATION  
 © COPYRIGHT - By - ALL RIGHTS RESERVED.

LOC		DIST		REVISIONS			
P	LTR	DESCRIPTION		DATE	DWN	APVD	
AF	50	F1	REVISED PER ECR-20-009164	28JUL2020	MK	DH	



TYPE	WIDTH	STRIP LENGTH ±.015	TYPE	WIDTH	±.002 HEIGHT	WIRE
F	.180	.220	F	.110	.057	18
					.063	16
					.072	14
INSUL BARREL CRIMP			WIRE BARREL CRIMP			

FINISH	MATERIAL	INSULATION RANGE	WIRE SIZE	MATING TAB THK	PART NO.
TIN	BRASS	.120-.170	18-14	.033-.030	62223-2
-	BRASS	.120-.170	18-14	.033-.030	62223-1

THIS DRAWING IS A CONTROLLED DOCUMENT.

DWN	JR RUTH	7/12/89
CHK	MS FEHER	7/12/89
APVD	C MEYERS	7/12/89

TE Connectivity

RECEPTACLE, FASTON™  
PIGGYBACK, .250 SERIES

SIZE	A2	CAGE CODE	00779	DRAWING NO	C-62223	RESTRICTED TO	-
MATERIAL	SEE TABLE	FINISH	SEE TABLE	WEIGHT	-	SCALE	4:1
CUSTOMER DRAWING				SHEET	1 OF 1	REV	F1