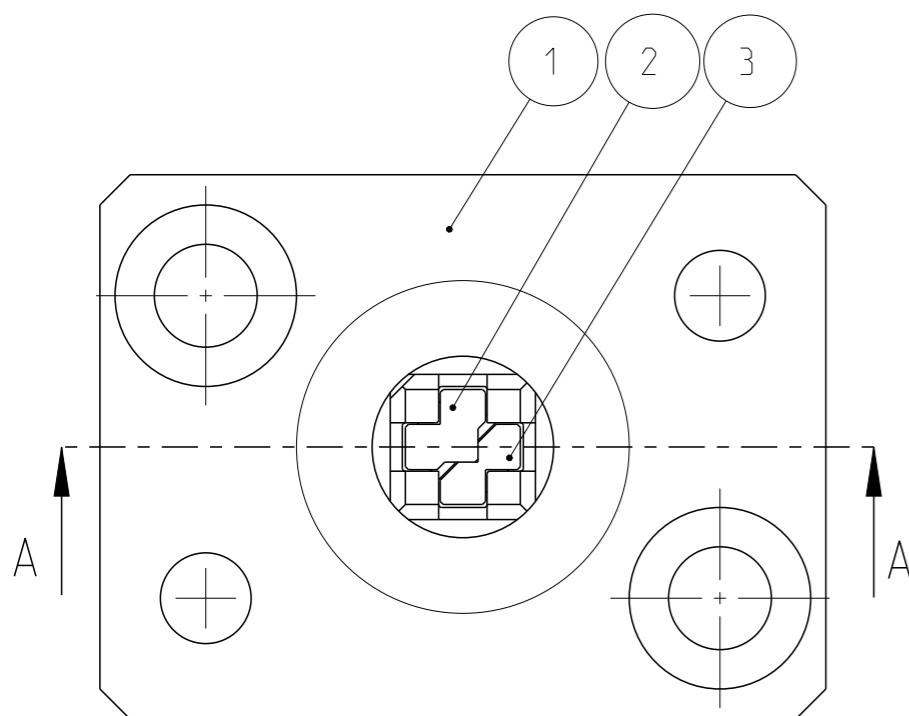
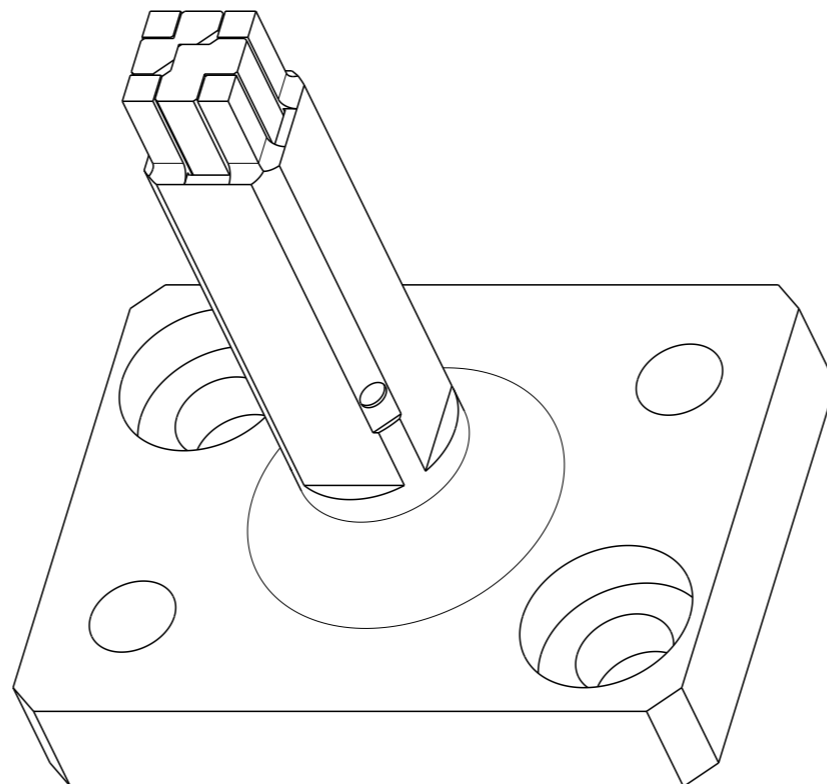
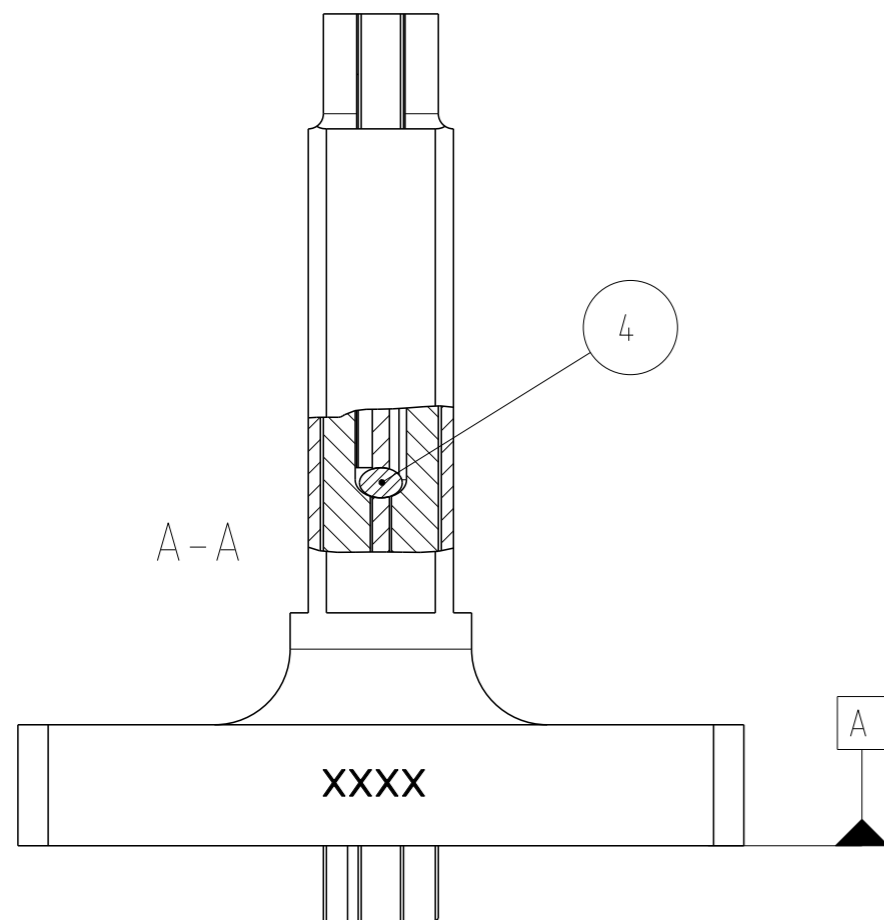



P	LTR	DESCRIPTION	DATE	DWN	APVD
	C	INITIAL RELEASE	16OCT2015	UR	SB
	D	REVISED PER ECR-16-003968	16MAR2016	GK	UR



XXXX marked by drawing number, revision & supplier symbol
 XXXX Mit Zeichnungsnummer, Revision & Herstellerkürzel gekennzeichnet

POS	QTY	TE/PN	PART REV	DESCRIPTION	WEAR	SPARE
1	1	5-1372156-6	C	HUELSE sleeve	YES	YES
2	1	3-1372436-6	C	Stift Pinn	YES	YES
3	1	3-1372436-7	B	Stift Pinn	YES	YES
4	1	508368-8	A	Zyl.-Stift 1.0m6x5 DIN 6325 -	-	YES

THIS DRAWING IS A CONTROLLED DOCUMENT.		DWN G. Bilecki 12FEB2010	 TE Connectivity NAME AMBOSSHUELSE ANVIL SLEEVE											
DIMENSIONS: mm		CHK REUTER UWF 24JAN2013												
TOLERANCES UNLESS OTHERWISE SPECIFIED:		APVD SIEGFRIED B 24JAN2013												
<table border="1"> <tr><td>0 PLC</td><td>±</td></tr> <tr><td>1 PLC</td><td>±</td></tr> <tr><td>2 PLC</td><td>±</td></tr> <tr><td>3 PLC</td><td>±</td></tr> <tr><td>4 PLC</td><td>±</td></tr> <tr><td>ANGLES</td><td>±</td></tr> </table>		0 PLC			±	1 PLC	±	2 PLC	±	3 PLC	±	4 PLC	±	ANGLES
0 PLC	±													
1 PLC	±													
2 PLC	±													
3 PLC	±													
4 PLC	±													
ANGLES	±													
MATERIAL -		FINISH -	APPLICATION SPEC -	SIZE A3										
		WEIGHT -	RESTRICTED TO -	CAGE CODE -										
		Customer Drawing	SCALE 4:1	DRAWING NO C-5-1372157-6										
			SHEET 1 OF 1	REV D										