

DESIGN/PROCESS CHANGE NOTIFICATION

This is to inform you that a change is being made to the products listed below.

Unless otherwise indicated in the details of this notification, the identified change will have no impact on product quality, reliability, electrical, visual or mechanical performance and affected products will remain fully compliant to all published specifications. Products incorporating this change may be shipped interchangeably with existing unchanged products.

This change is planned to take effect in 90 calendar days from the date of this notification. Please work with your local Fairchild Sales Representative to manage your inventory of unchanged product if your evaluation of this change will require more than 90 calendar days.

Please contact your local Customer Quality Engineer within 30 days of receipt of this notification if you require any additional data or samples. Alternatively, you may send an email request for data, samples or other information to PCNSupport@fairchildsemi.com.

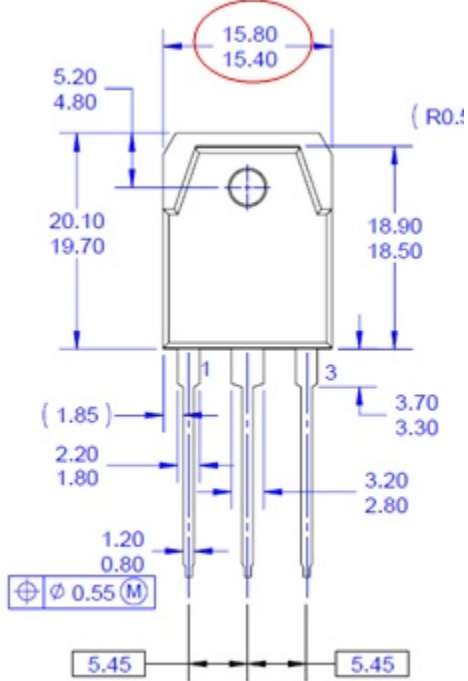
Implementation of change:

Expected First Shipment Date for Changed Product : May. 12, 2014

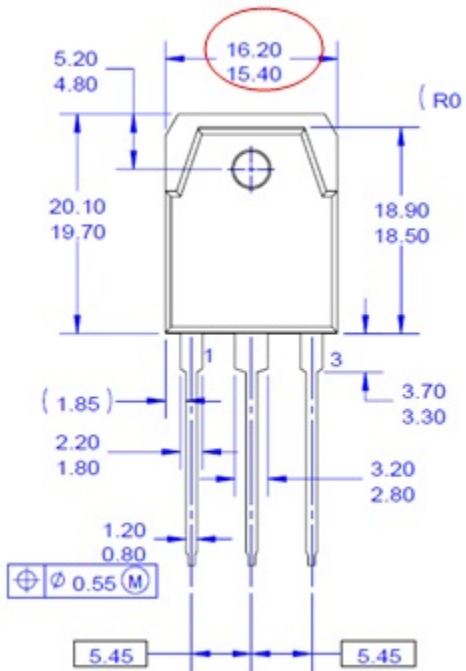
Expected First Date Code of Changed Product :1403

Description of Change (From) :

Heat sink width drawing spec: 15.40-15.80mm



Description of Change (To) :
Heat sink width drawing spec: 15.40-16.20mm



Reason for Change:

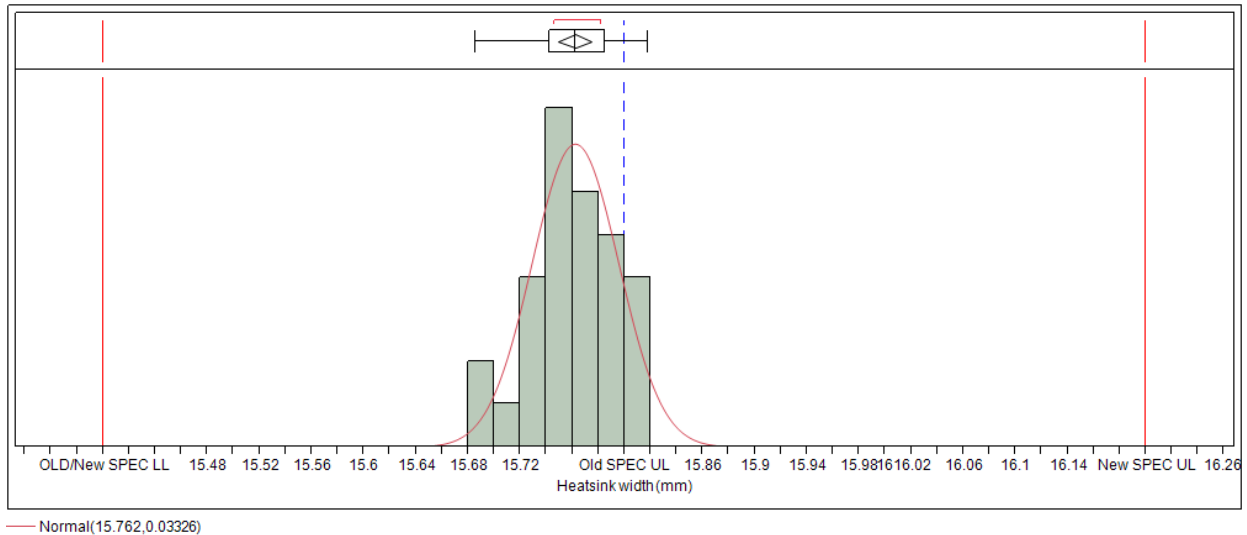
To correct marketing drawing heat sink width SPEC from 15.40mm~15.80mm to 15.40mm~16.20mm. (refer to MOD#MKT-TO3P03A)
Product quality will not be affected.

Affected Product(s): Please refer to the list of affected products in the addendum attached in the PCN email you received. This list is based on an analysis of your company's procurement history.

Qualification Plan	Device	Package	Process	No. of Lots
Q20130256	FJA4213OTU	TO-3P-3L	N/A	1

Test Description:	Condition:	Standard :	Duration:	Results:
Full dimension inspection	Room Temp	MKT-TO3P03A		0/30

Average value of raw heat-sink width data(mm)	15.76
Stdev of Heat-sink width data(mm)	0.03
Old Heat-sink width criteria LSL(mm)	15.40
Old Heat-sink width criteria USL(mm)	15.80
New Heat-sink width criteria LSL(mm)	15.40
New Heat-sink width criteria USL(mm)	16.20
CPK base on old heat-sink width criteria	0.38
CPK base on new heat-sink width criteria	3.63



Fitted Normal

Parameter Estimates

Type	Parameter	Estimate	Lower 95%	Upper 95%
Location	μ	15.76198	15.749561	15.774399
Dispersion	σ	0.033259	0.0264877	0.0447106

-2log(Likelihood) = -120.069502152624

Goodness-of-Fit Test

Shapiro-Wilk W Test

W	Prob<W
0.971537	0.5820

Note: Ho = The data is from the Normal distribution. Small p-values reject Ho.