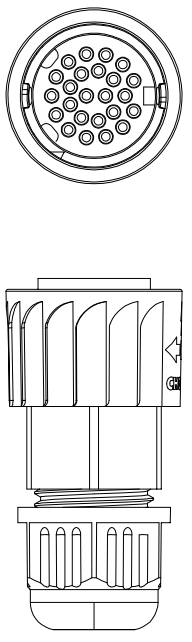
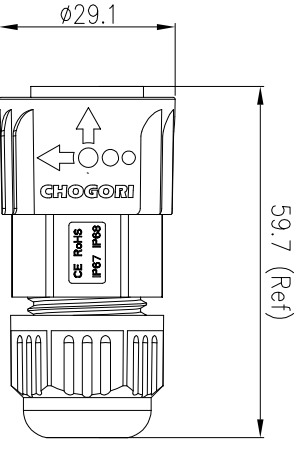


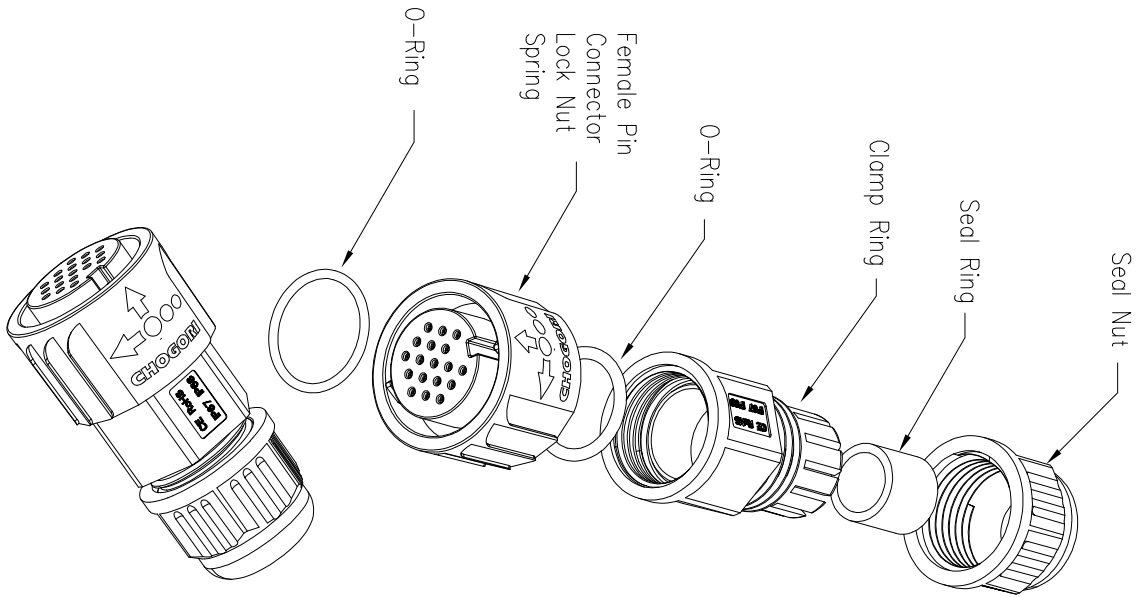
REV.	EN. NO.	DESCRIPTION	SIGN	DATE
C1	N/A	INITIAL DRAWING	Liu	2019/08/13



24XXX231-XX Cable Range OD
 01 OD: ϕ 3.5mm~ ϕ 6.8mm
 02 OD: ϕ 6.8mm~ ϕ 10.5mm

Pin	P/N: 24018231-02	P/N: 24024231-02
9 Pin		
18 Pin		
24 Pin		

Pin Assignments Front View



- Specification:
- 1.Operation Temperature: $-45^{\circ}\text{C}\sim 105^{\circ}\text{C}$.
 - 2.Insulation Resistance: 100M Ω at DC500V.
 - 3.Contact Resistance: <10m Ω .
 - 4.Withstand Voltage: 1500V AC
 - 5.Operating Current: 5A
 - 6.Operating Voltage: AC 125V
 - 7.Waterproof Rate: IP67 (Mated)
 - 8.Seal Nut: Nylon, Black
 - 9.Seal Ring: Silicon, Black.
 - 10.Clamp Ring: Nylon, Black
 - 11.O-Ring: Silicon, Red
 - 12.Female Pin: Copper Alloy, Gold Plated
 - 13.Connector: Nylon+GF, Black
 - 14.Lock Nut: Nylon, Orange
 - 15.Spring: SUS
 - 16.O-Ring: Silicon, Red
 - 14.RoHS Compliant.
 - 15.Mating Cap: 804-00008-00

UNIT: mm		DESCRIPTION	Large Series Push Lock Male Plug With Female Pin
TOLERANCE		SCALE	1:1
X: ± 0.25		SHEET	1 OF 1
XX: ± 0.15		REV	C1
XXX: ± 0.05		SIZE	A4
ANGLES	$\pm 1^{\circ}$		* : Inspection Item



PART NO	24XXX231-XX	DRAWN BY	Liu	DATE	2019/08/13
DWG NO		CHECKED BY	Mo	DATE	2019/08/13
CUSTOMER		APPROVED BY	Panson	DATE	2019/08/13