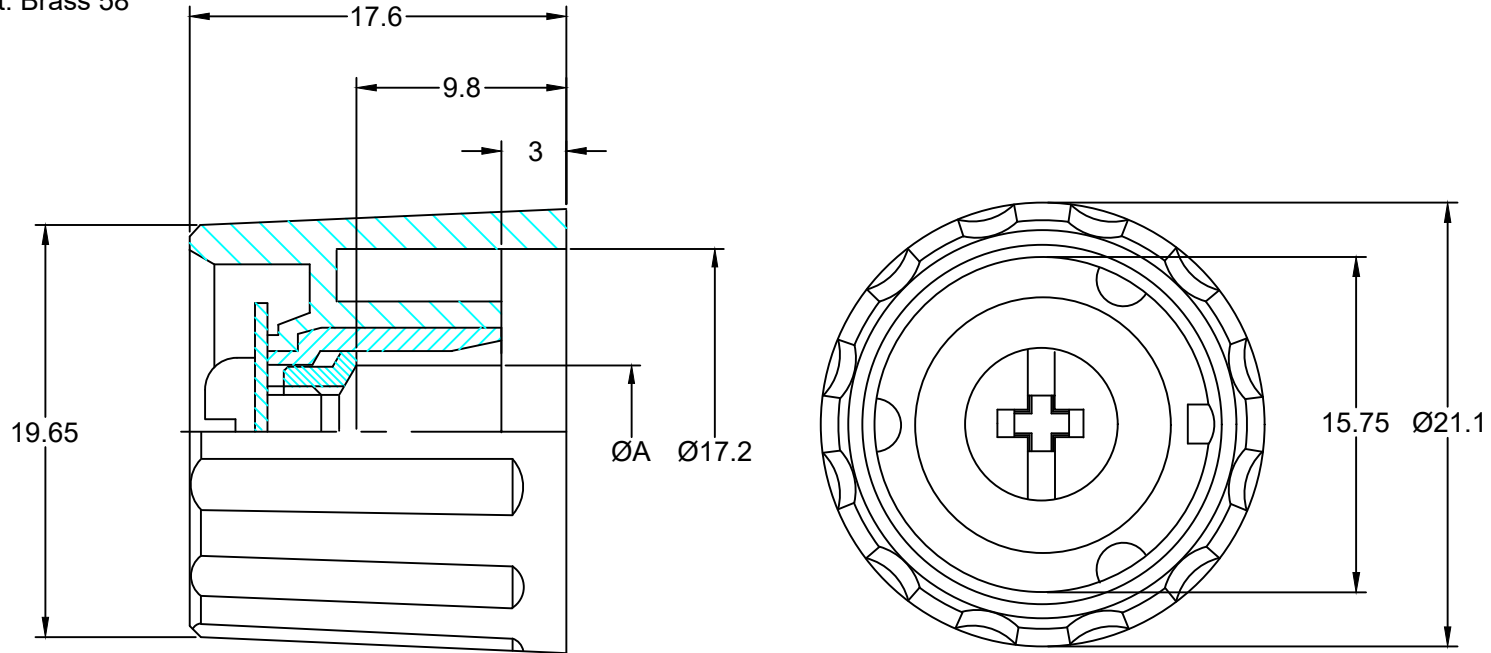


MATERIAL AND FINISH  
 Knob: Polyamide  
 Collet, Sleeve & nut: Brass 58

RoHS  
 COMPLIANT



ORDERING CODE:

20-21-XX X  
 1 2

1) SHAFT DIAMETER (A)

- 30 = 3mm
- 31 = 1/8"
- 40 = 4mm
- 60 = 6mm
- 61 = 1/4"

2) COLOR (SEE CHART)

P/N	COLOR
20-21-XX1	LIGHT GRAY
20-21-XX2	GRAY
20-21-XX3	BLACK
20-21-XX4	RED

TOLERANCE UNLESS OTHERWISE SPECIFIED	
X	± 1
X.X	± 0.4
X.XX	± 0.13
DRAWN BY	DF
CHECK BY	DATE: 4/25/05
APPR BY	DATE:

**Power Dynamics, Inc.**  
 Phone: 973 560-0019 Whippany, New Jersey Fax: 973 560-0076

PART: STANDARD KNOB  
 21mm KNOB DIAMETER

PART #: **20-21-XXX**

SIZE: A  
 SCALE: NTS

ALL DIMENSIONS FOR REFERENCE ONLY  
 DIMENSIONS ARE IN MILLIMETERS

SHEET 1 of 1  
 REV:

REVISIONS	CHANGE	CHK	CHK	APPR
REV	DATE			