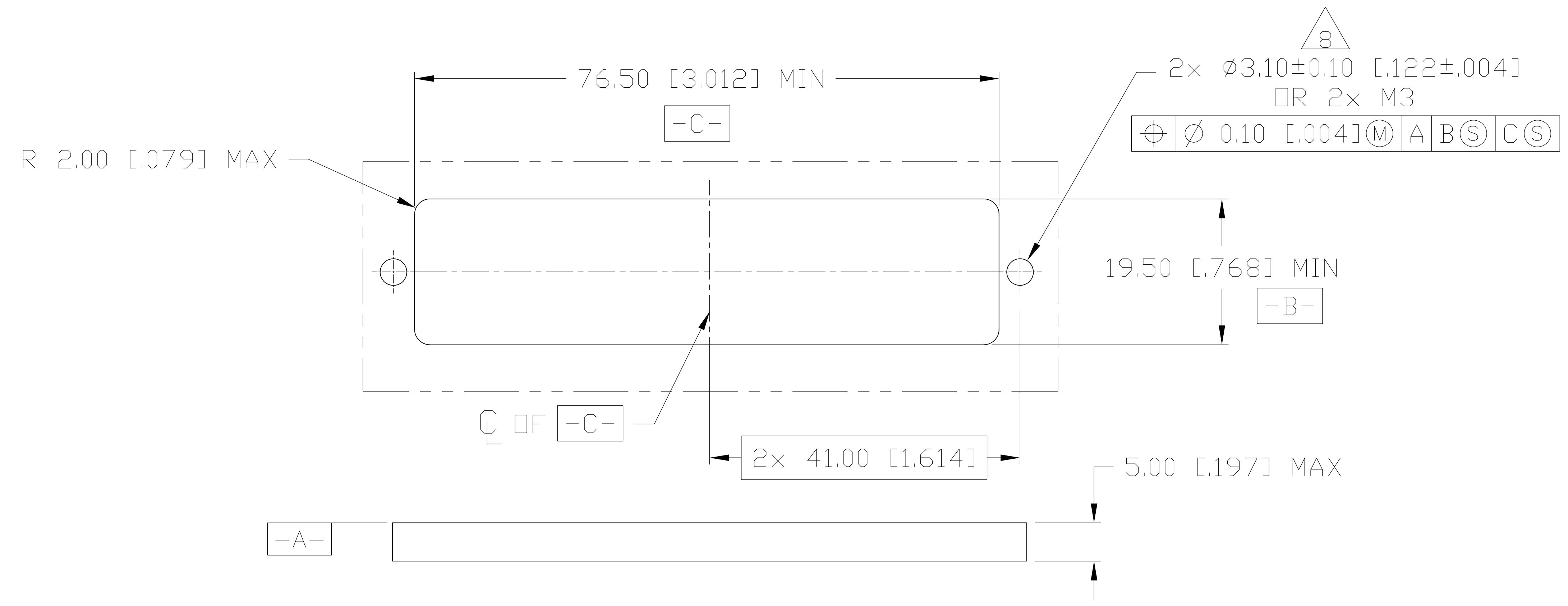
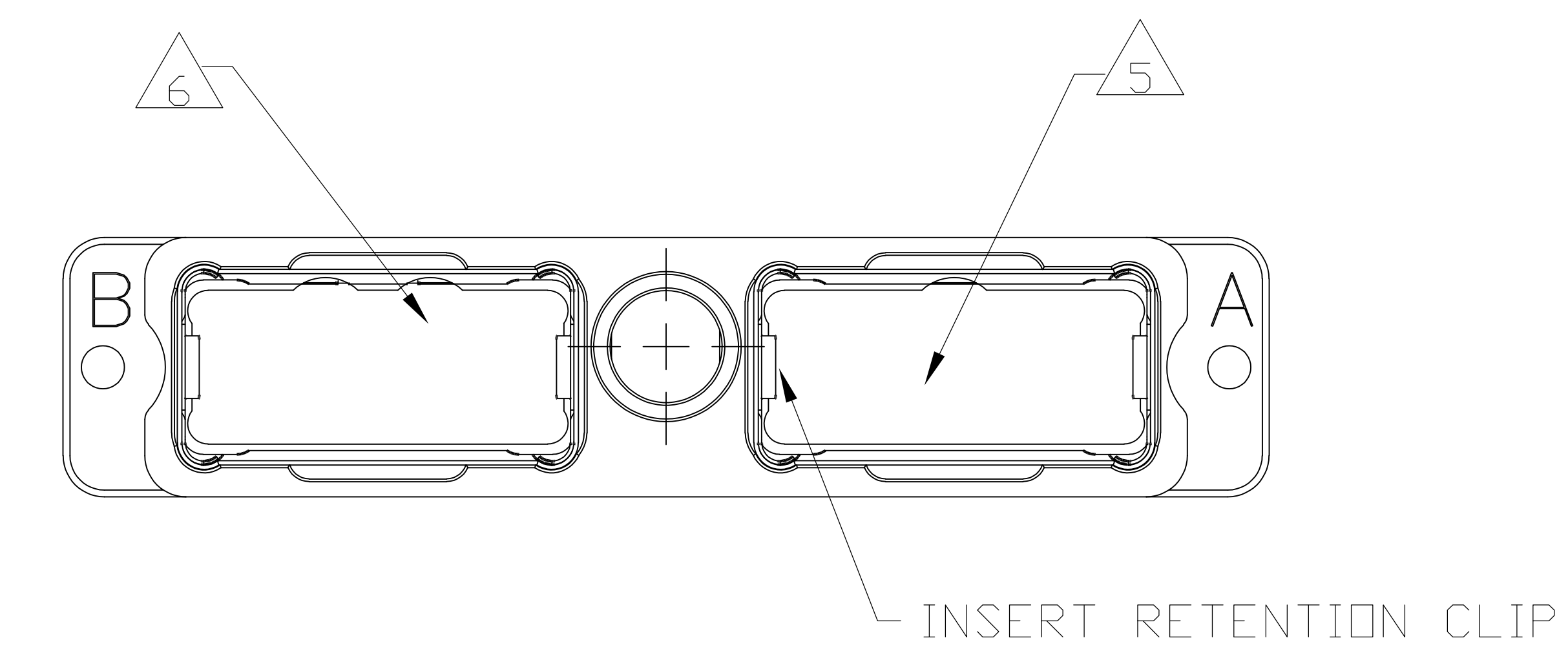
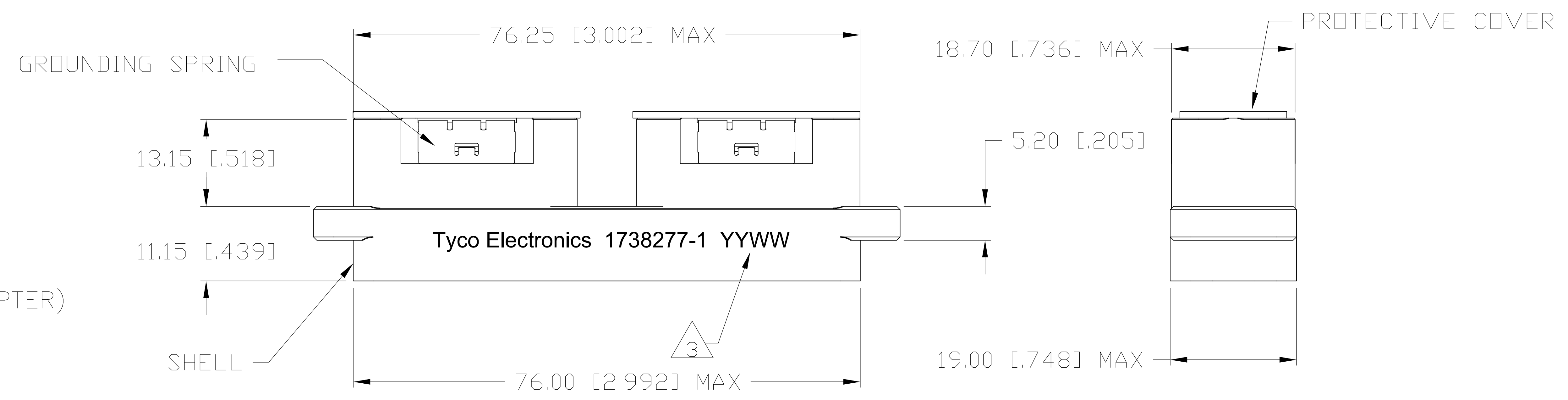
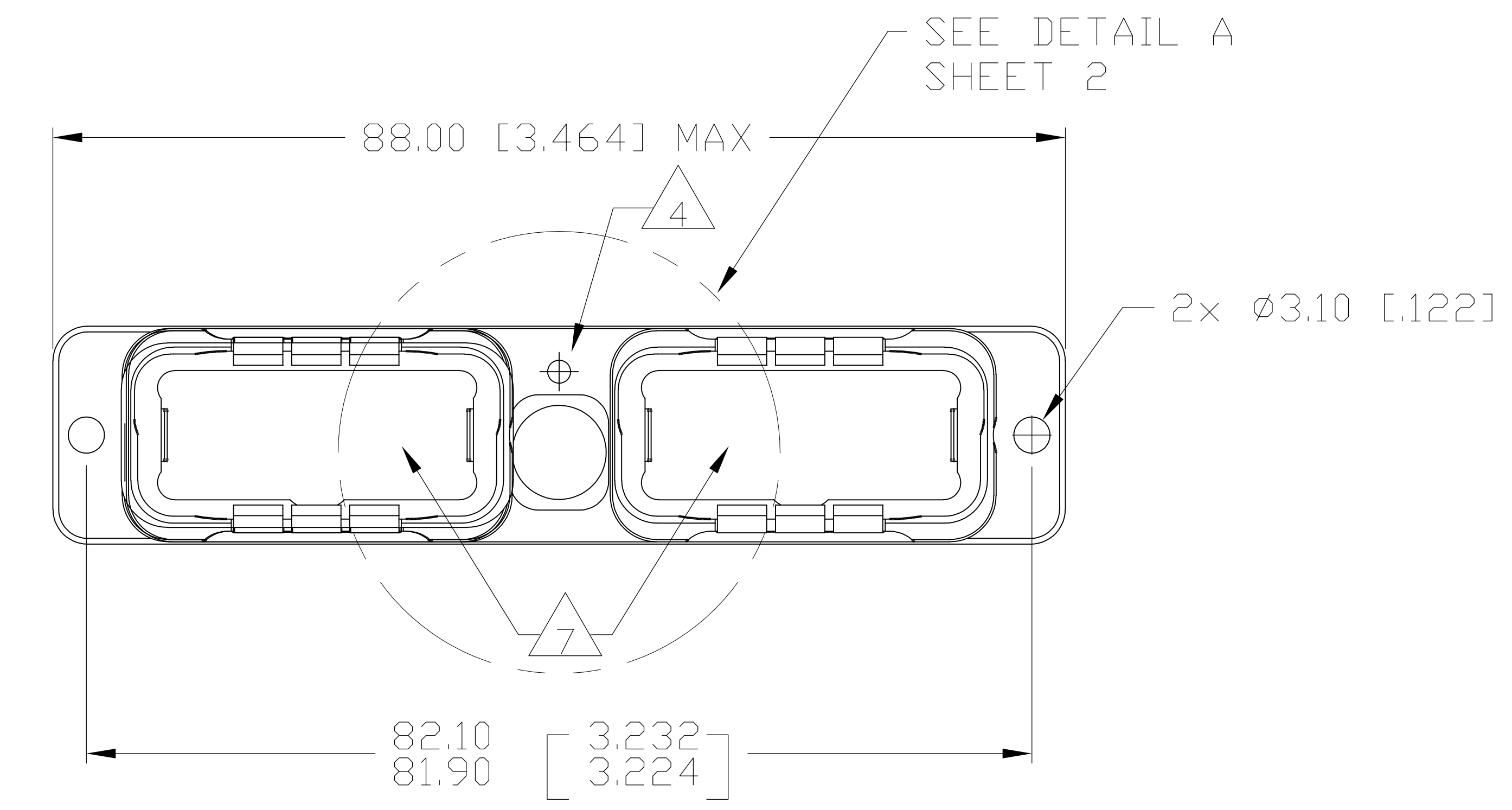


- 1 SHELL: ALUMINUM ALLOY 6061 T651  
 INSERT RETENTION CLIP & GROUNDING SPRING: COPPER ALLOY PER ASTM B194  
 POLARIZING GUIDE SOCKET & RETAINING NUT: STAINLESS STEEL PER AISI 316  
 PROTECTIVE COVER: THERMOPLASTIC ELASTOMER
- 2 SHELL: ELECTROLESS NICKEL PER SAE AMS-C-26074, CLASS 1.  
 GROUNDING SPRING: ELECTROLYTIC NICKEL PER SAE AMS-QQ-N-290.
- 3 DATE CODE - YEAR & WEEK (YY WW)
- 4 INDEXING POINT FOR POLARIZATION
- 5 SHELL CAVITY FOR GPRB SERIES INSERTS WITH KEYING CODE A.
- 6 SHELL CAVITY FOR GPRB SERIES INSERTS WITH KEYING CODE B.
- 7 PROTECTIVE COVERS NOT SHOWN FOR CLARITY.
- 8 SCREW HEAD DIAMETER: 6.00 [.236] MAX.
- 9 THE POLARIZING GUIDE SOCKET AND RETAINING NUT ARE SHIPPED UNASSEMBLED.  
 THE CUSTOMER SHALL APPLY LOCTITE® PRODUCT 272 THREADLOCKING ADHESIVE  
 WHEN INSTALLING THESE ON THE SHELL ASSEMBLY. LOCTITE® IS A  
 REGISTERED TRADEMARK OF LOCTITE CORPORATION.
- 10 A SPANNER WRENCH TOOL, TYCO ELECTRONICS P/N 1738220-1 (WITH 1/4-in ADAPTER)  
 OR 1738221-1 (WITH T-HANDLE), IS USED TO LOCK THE RETAINING NUT.  
 RECOMMENDED LOCKING TORQUE: 1.5 N-m [13 in-lb].
- 11. PITCH FOR SIDE-BY-SIDE MOUNTING: 19.50 [.768] MIN.
- 12. DESCRIPTIVE PART NUMBER: GPRB2HD52N  
 SERIES: GPRB  
 SHELL SIZE: 2 (TWO-CAVITY SHELL)  
 SHELL STYLE: H (RECEPTACLE WITH GROUNDING SPRINGS)  
 MODIFICATION CODE: D (2x Ø3.10mm THRU HOLES FOR PANEL MOUNTING)  
 LOCKING & POLARIZING DEVICE: 5 (POLARIZING GUIDE SOCKET - FOR RACK  
 AND PANEL APPLICATION)  
 POLARIZATION CODE: 2 (A-F POLARIZING GUIDE SOCKET HARDWARE SHIPPED UNASSEMBLED)  
 SHELL PLATING: N (NICKEL PLATING)
- 13. THIS PRODUCT IS SOLD BY TYCO ELECTRONICS UNDER A LICENSE FROM RADIAL SA.

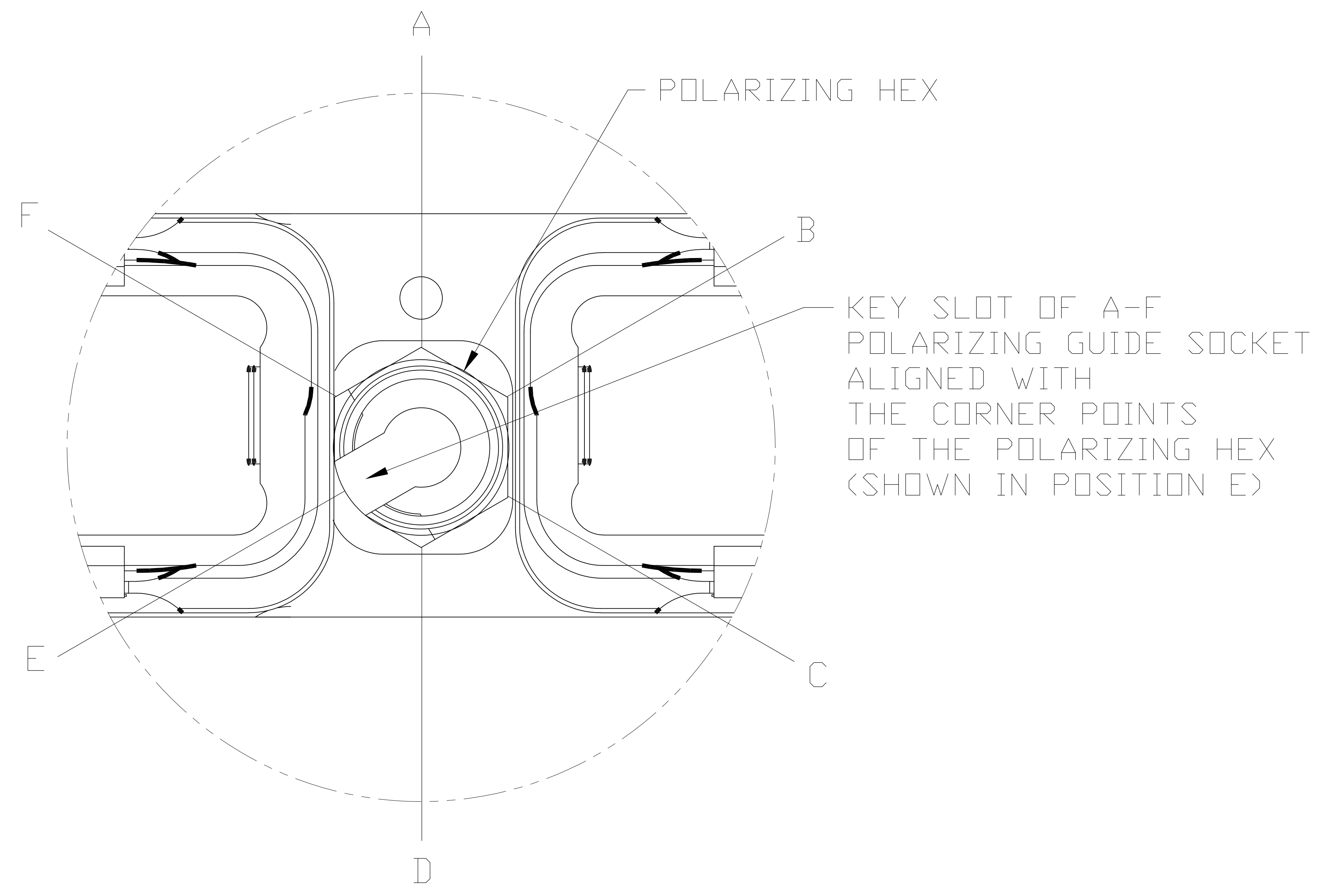
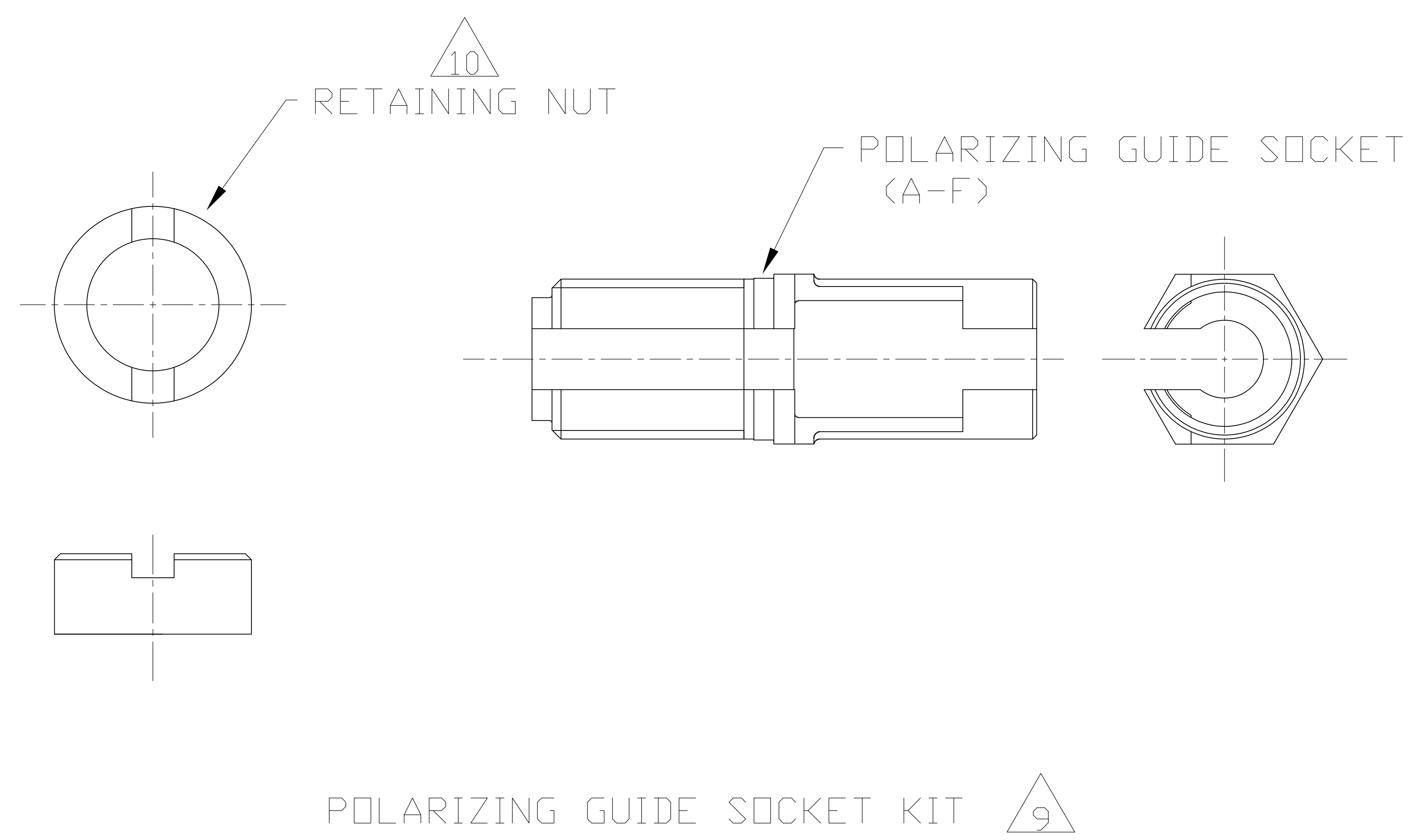


RECOMMENDED PANEL CUTOUT

THIS PRINT IS  
**PRELIMINARY**  
 UNQUALIFIED PRODUCT  
 CONTACT PRODUCT ENGINEERING  
 BEFORE USING THIS PRINT

THIS DRAWING IS A CONTROLLED DOCUMENT.		REV	DATE	BY	APP'D	Tyco Electronics Corporation Harrisburg, Pa 17105-3608
DIMENSIONS: mm (INCHES)		ED FLAIG	OCT04	JR MOSIER	OCT04	
TOLERANCES UNLESS OTHERWISE SPECIFIED:		PROD. SPEC	—	APPLICATION SPEC	—	RECEPTACLE SHELL KIT, WITH TWO 3.10mm DIA MOUNTING HOLES, WITH A-F POLARIZING GUIDE SOCKET, GPRB2
Ø	0.10	0.10	[.008]	—	—	SIZE
MATERIAL: 1		WEIGHT	—	—	—	SIZE CASE CODE DRAWING NO AO00779 1738277
FINISH: 2		CUSTOMER DRAWING	SCALE: 1:1	SHEET 1 OF 2	REV 2	RESTRICTED TO

1738277-1  
 PART NUMBER



DETAIL A - POLARIZING GUIDE SOCKET KIT ASSEMBLED

THIS PRINT IS  
**PRELIMINARY**  
UNQUALIFIED PRODUCT  
CONTACT PRODUCT ENGINEERING  
BEFORE USING THIS PRINT

1738277-1  
PART NUMBER

THIS DRAWING IS A CONTROLLED DOCUMENT.		DATE	REV	Tyco Electronics Corporation Harrisburg, Pa 17105-3608	
DIMENSIONS: UNLESS OTHERWISE SPECIFIED:		DATE	DATE	RECEPTACLE SHELL KIT, WITH TWO 3.10mm MOUNTING HOLES, WITH A-F POLARIZING GUIDE SOCKET, GPRB2	
mm (INCHES)		DATE	DATE	SIZE	SCALE CODE DRAWING NO
0. PLG	± .008	DATE	DATE	A0	00779 1738277
1. PLG	± .008	DATE	DATE	SCALE	1:1
2. PLG	± 0.2 (0.08)	DATE	DATE	SHEET	2 OF 2
3. PLG	± .008	DATE	DATE	REV	2
4. PLG	± .008	DATE	DATE	CUSTOMER DRAWING	