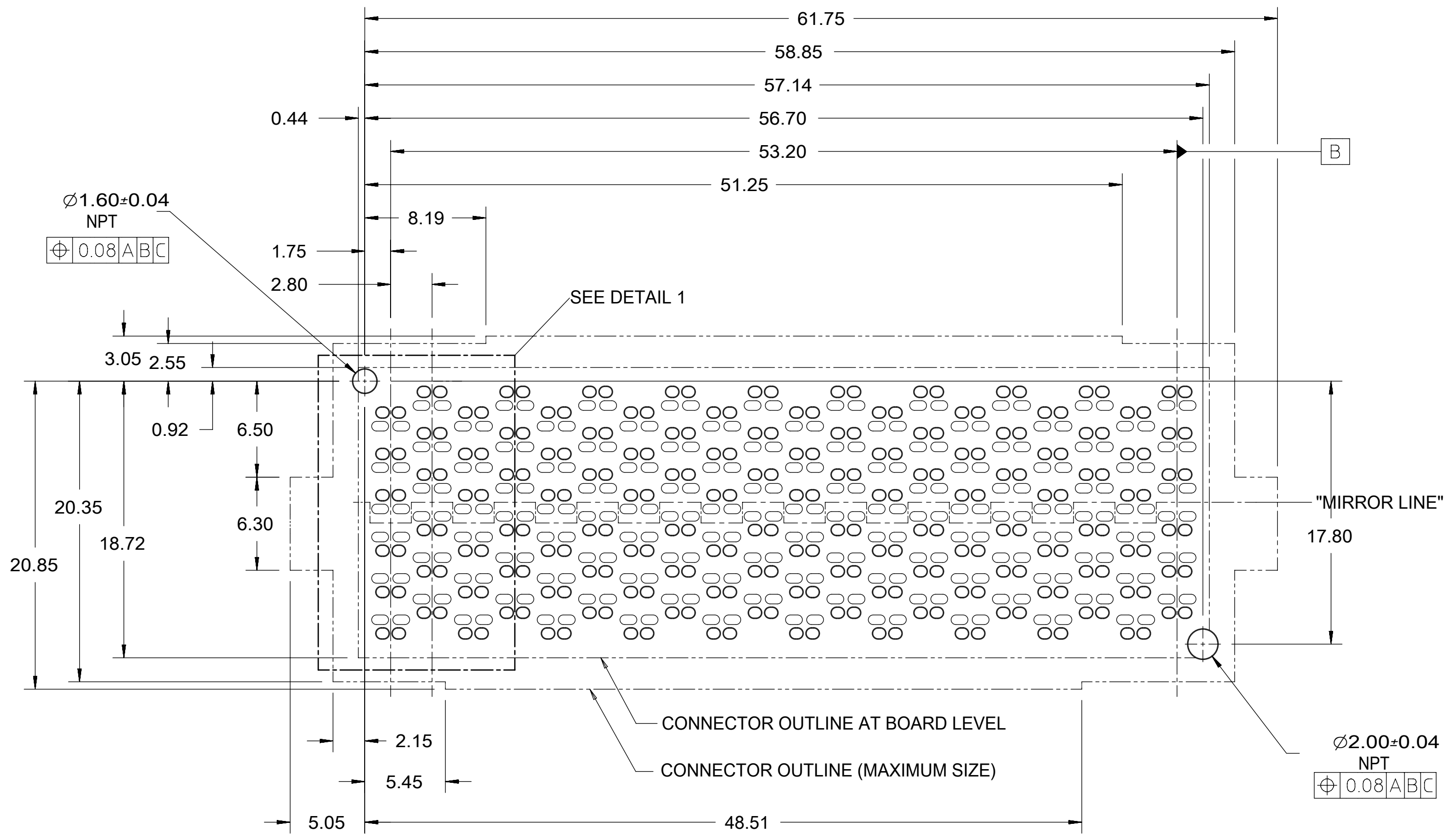
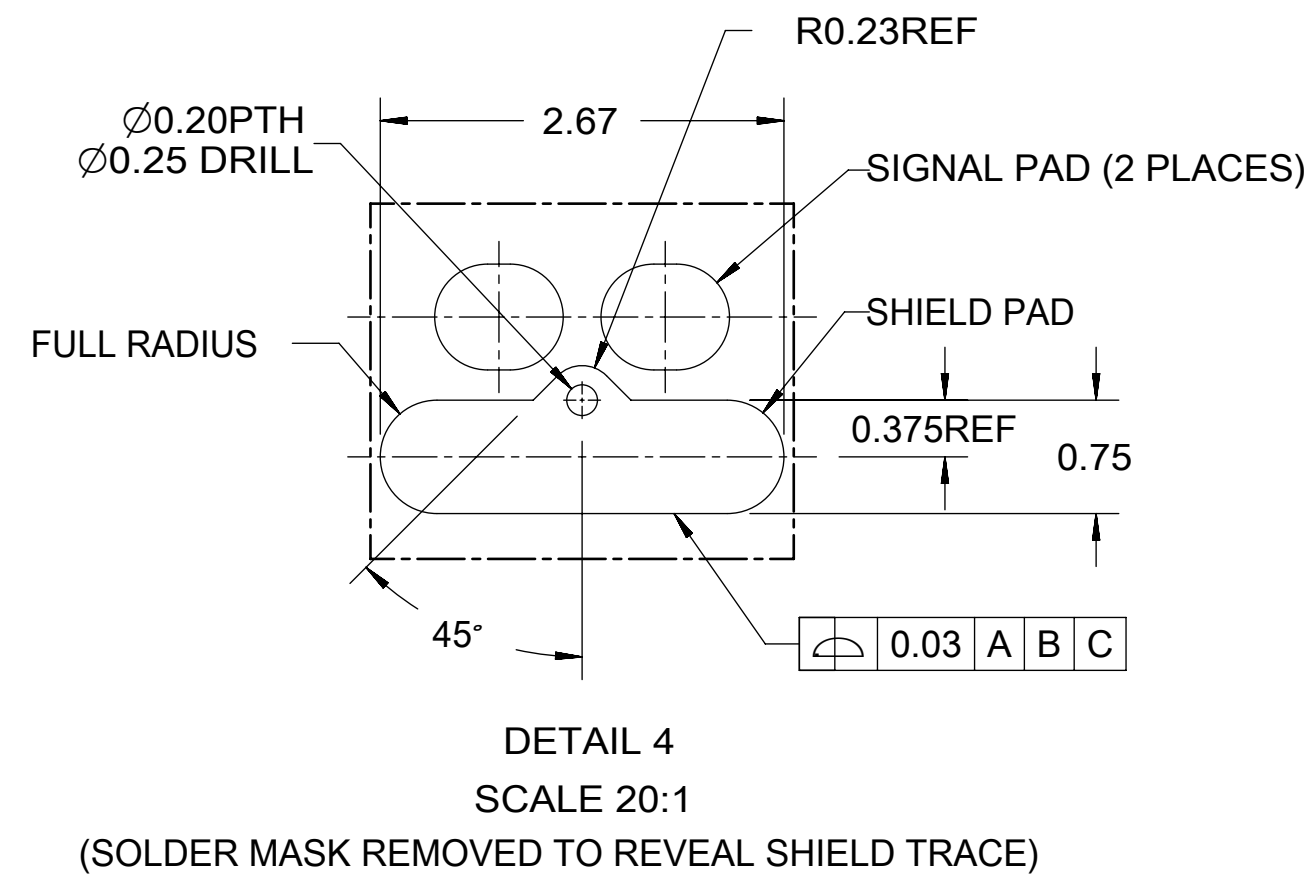
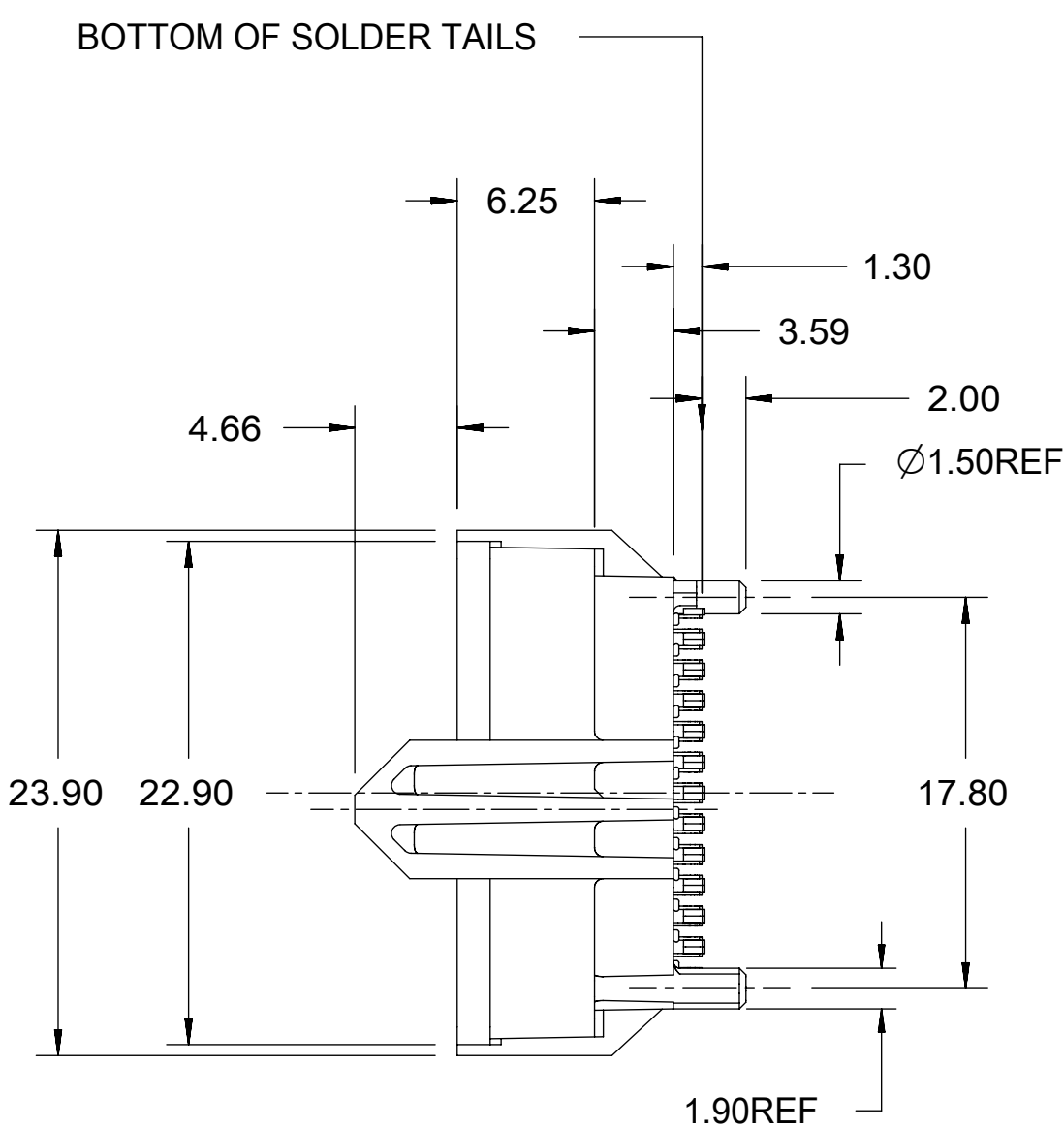
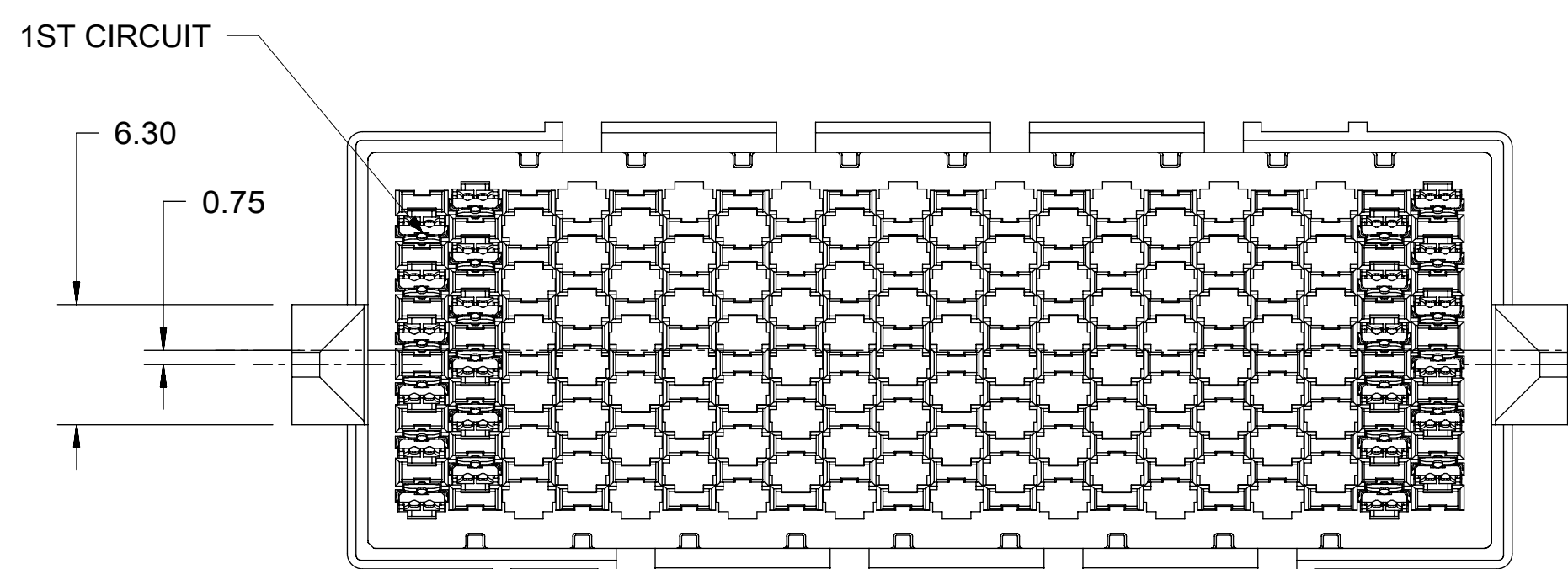
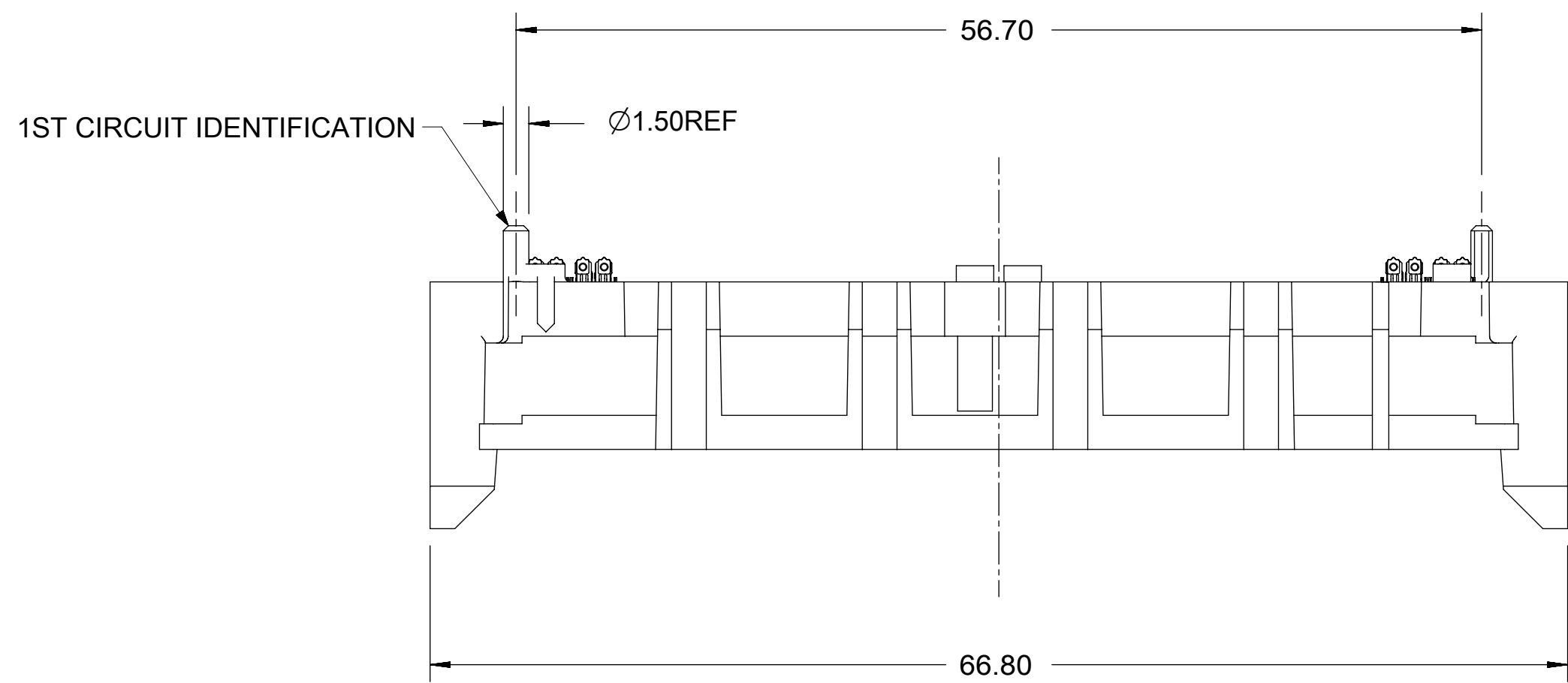
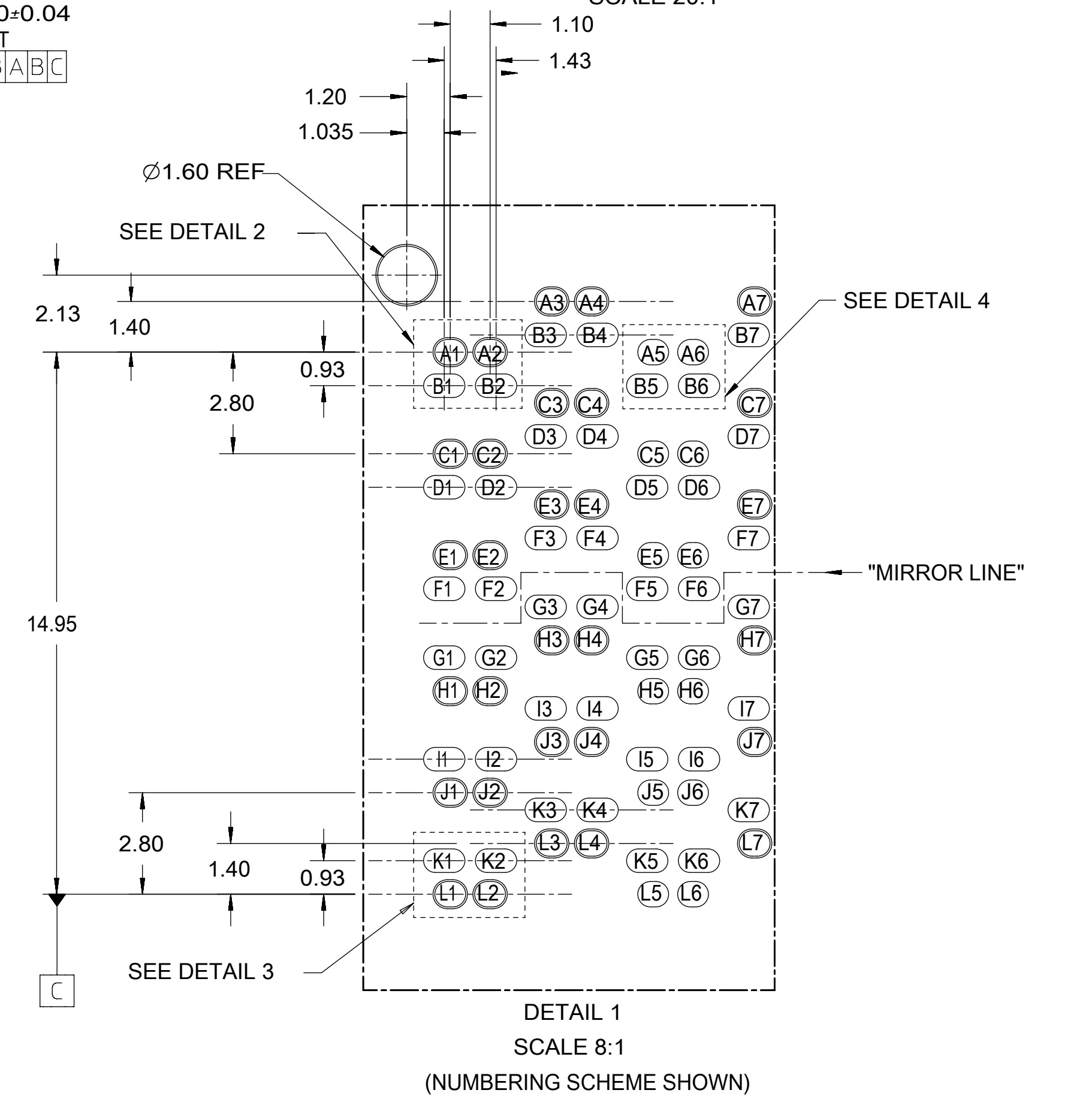
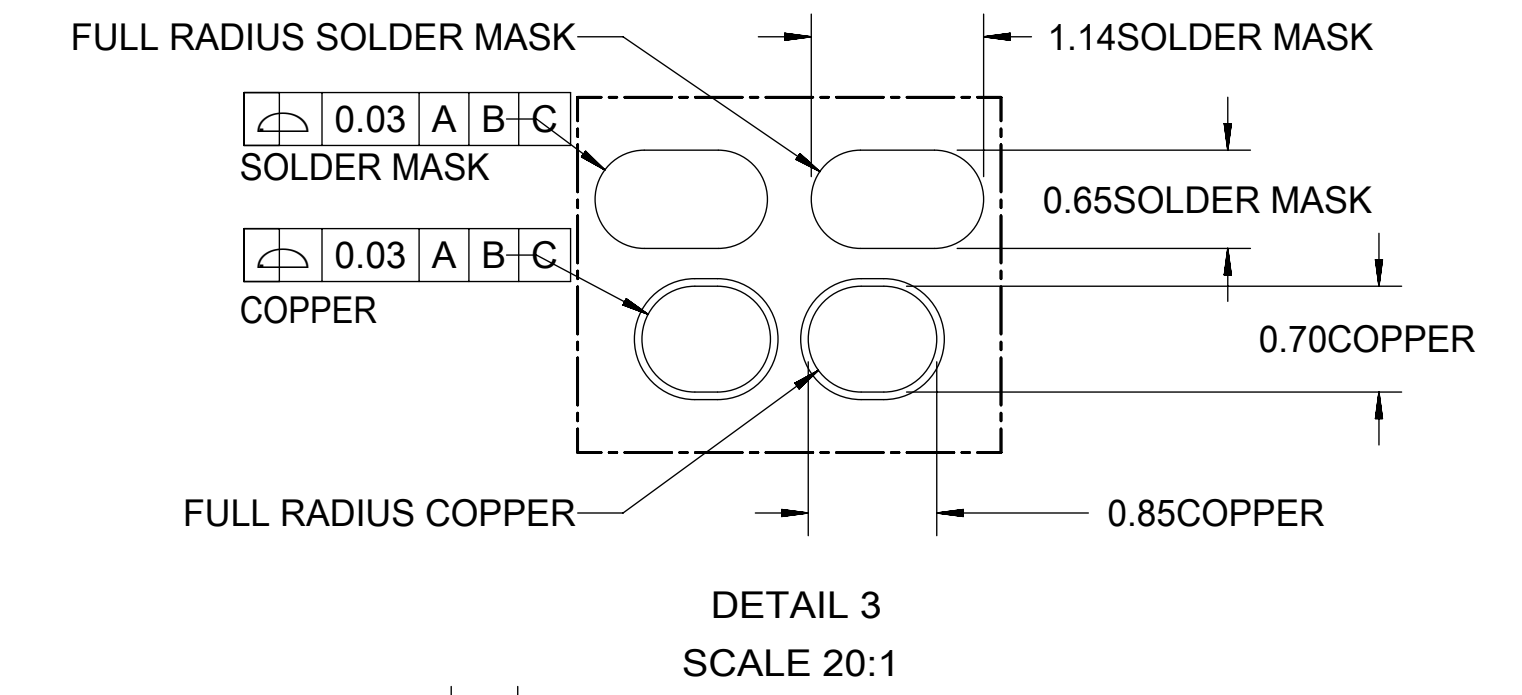
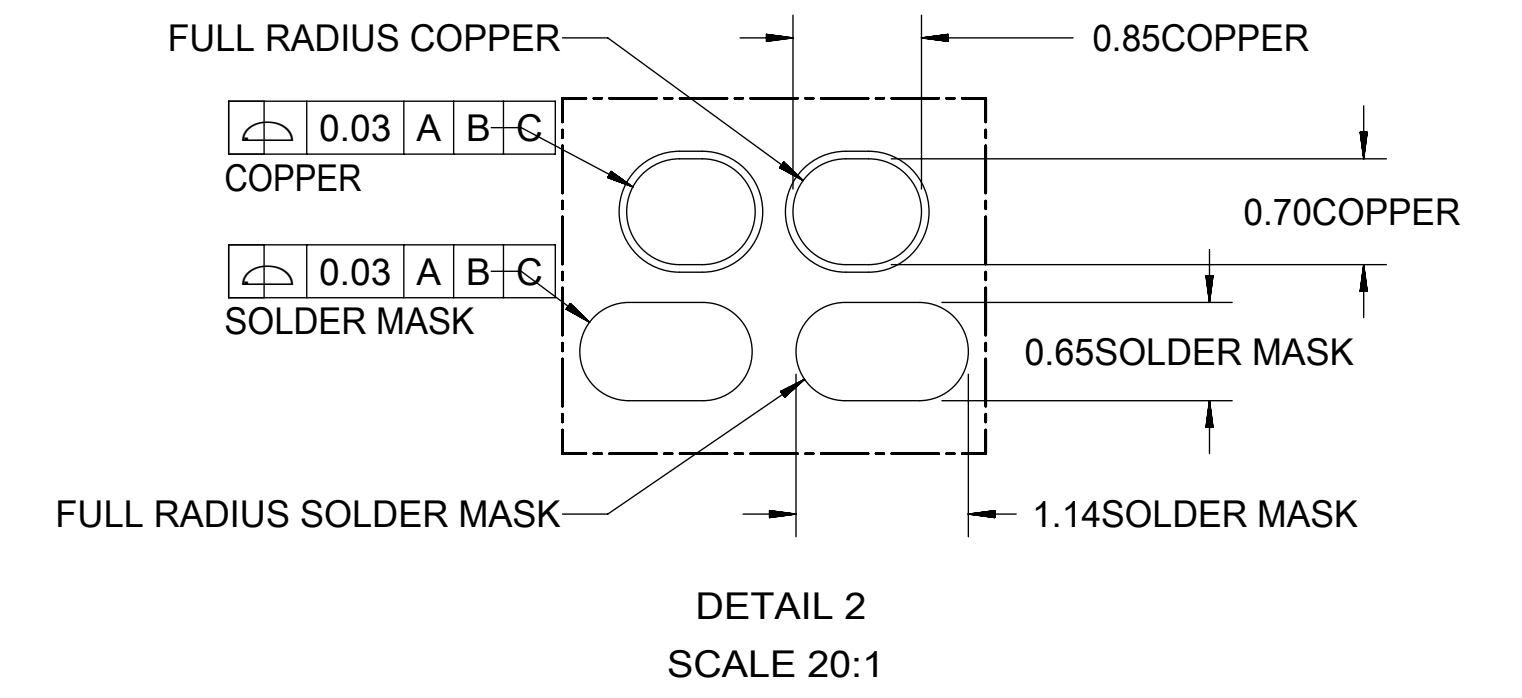


- NOTES:
- HOUSING MATERIAL: LCP, GLASS FILLED, UL 94V-0, BLACK
CONTACT MATERIAL: HIGH PERFORMANCE COPPER ALLOY
SOLDER CHARGE: LEAD FREE SOLDER ALLOY
 - FINISH:
CONTACTS: SELECT GOLD: 30 μINCHES MIN ON CONTACT AREA,
AND 100 μINCHES TIN MIN ON SOLDERABLE PORTION
OF SOLDER TAILS; OVER 50 μINCHES MIN NICKEL OVERALL.
 - PRODUCT SPECIFICATION: PS-170807-0001
 - PACKAGING SPECIFICATION: PK-170814-002
 - APPLICATION SPECIFICATION: AS-170807-0001



- FOOT PRINT NOTES:
- DATUM -A- IS THE TOP OF THE PCB.
 - ALL DIMENSIONS ARE BASICS.
 - SEE APPLICATION SPECIFICATION FOR ADDITIONAL INFORMATION.



FUNCTIONAL SYMBOLS	THIS DRAWING CONTAINS INFORMATION THAT IS PROPRIETARY TO MOLEX ELECTRONIC TECHNOLOGIES, LLC AND SHOULD NOT BE USED WITHOUT WRITTEN PERMISSION		CURRENT REV DESC:	
	DIMENSION UNITS	SCALE		
$\nabla_A = 0$	mm	NTS		
$\nabla_C = 0$	GENERAL TOLERANCES (UNLESS SPECIFIED)			
$\nabla_P = 0$	ANGULAR TOL $\pm 0.5^\circ$			
DIVISIONAL SYMBOLS	4 PLACES	\pm	EC NO: 634730	
	3 PLACES	\pm	DRWN: JESSIECHUA	2020/03/18
	2 PLACES	± 0.15	CHK'D: HCGOH	2020/03/26
	1 PLACE	\pm	APPR: SHONG	2020/03/26
	0 PLACES	\pm	INITIAL REVISION:	
DRAFT WHERE APPLICABLE MUST REMAIN WITHIN DIMENSIONS		THIRD ANGLE PROJECTION	DRAWING SERIES	MATERIAL NUMBER CUSTOMER SHEET NUMBER
			D-SIZE 170814	SEE TABLE GENERAL MARKET 1 OF 3

molex

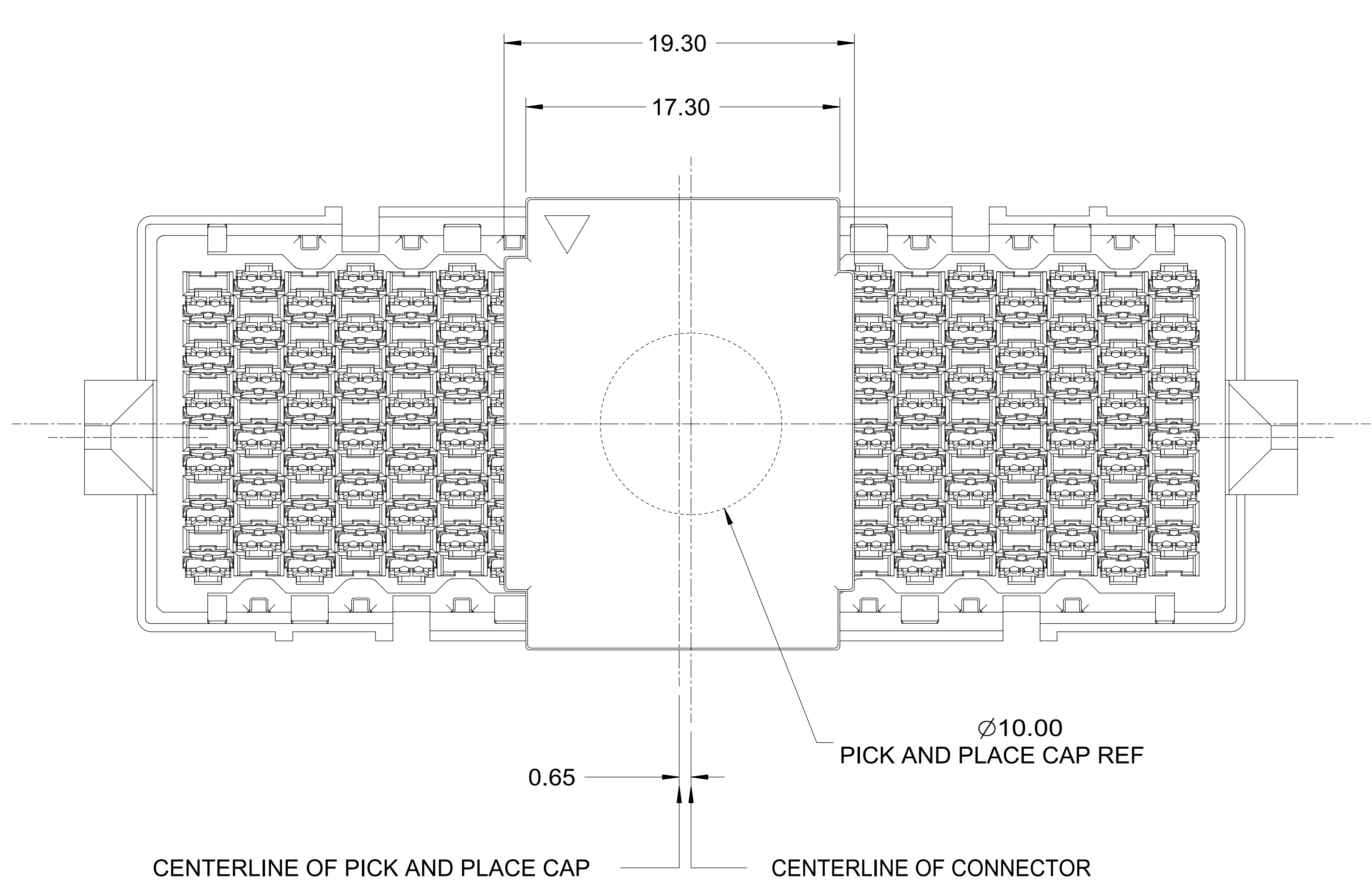
RECEPTACLE, NEOSCALE, 6X20

PRODUCT CUSTOMER DRAWING

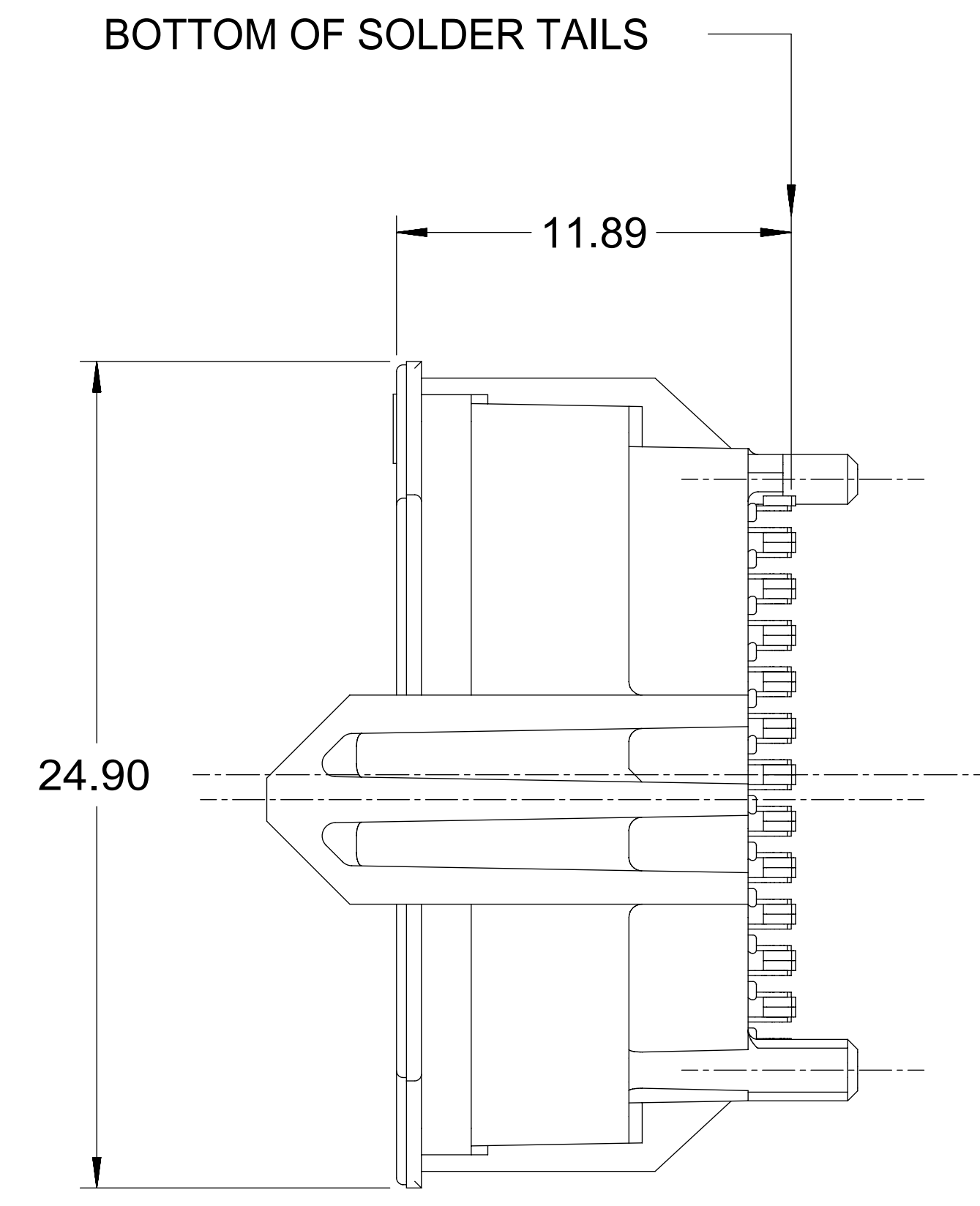
DOCUMENT NUMBER: SD-170814-2009
DOC TYPE: PSD
DOC PART: 001
REVISION: A1

MATERIAL NUMBER	HEIGHT	TRIAD TYPE AND COUNT			MATE WITH	REMARKS
		85 OHMS	100 OHMS	POWER		
1708142009	8.00MM	N/A	120 PLACES	N/A	1708072009 (14MM) , 1708072017 (18MM)	N/A
1708144002	8.00MM	N/A	114 PLACES	6 PLACES	1708074002 (18MM)	REFER TO PAGE 3 FOR PIN OUT CHART

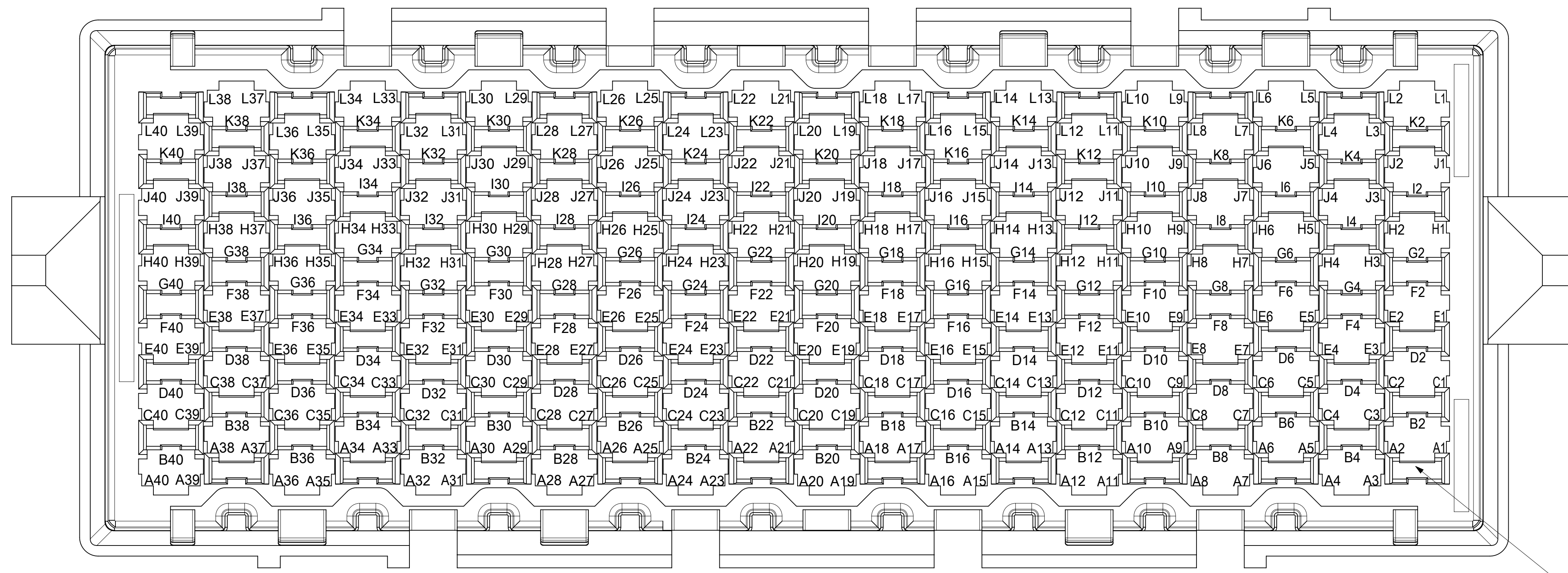
A1



PICK AND PLACE CAP



FUNCTIONAL SYMBOLS FA = 0 FC = 0 FP = 0 DIVISIONAL SYMBOLS	THIS DRAWING CONTAINS INFORMATION THAT IS PROPRIETARY TO MOLEX ELECTRONIC TECHNOLOGIES, LLC AND SHOULD NOT BE USED WITHOUT WRITTEN PERMISSION		CURRENT REV DESC:		 RECEPTACLE, NEOSCALE, 6X20 PRODUCT CUSTOMER DRAWING		
	DIMENSION UNITS	SCALE	EC NO: 634730				
	mm	NTS	DRWN: JESSIECHUA 2020/03/18				
	GENERAL TOLERANCES (UNLESS SPECIFIED)		CHK'D: HCGOH 2020/03/26				
	ANGULAR TOL ± 0.5°		APPR: SHONG 2020/03/26				
4 PLACES ±		INITIAL REVISION:		DOCUMENT NUMBER	DOC TYPE	DOC PART	REVISION
3 PLACES ±		DRWN: HCGOH 2013/12/30		SD-170814-2009	PSD	001	A1
2 PLACES ± 0.15		APPR: SHONG 2014/01/27		MATERIAL NUMBER	CUSTOMER		
1 PLACE ±		DRAFT WHERE APPLICABLE MUST REMAIN WITHIN DIMENSIONS		SEE TABLE	GENERAL MARKET		
0 PLACES ±		THIRD ANGLE PROJECTION	DRAWING	SERIES	SHEET NUMBER		
			D-SIZE	170814	2 OF 3		



TOP VIEW OF A 6 ROW X 20 COLUMN RECEPTACLE
CONTACT IDENTIFICATION AND LOCATION
(A, C, E, H, J AND L ARE SIGNAL CONTACTS)
(B, D, F, G, I AND K ARE SHIELD CONTACTS)
(TRIADS ARE NOT SHOWN)

1ST CIRCUIT

A1 PIN-OUT CHART FOR 1708144002 RECEPTACLE (6 ROWS X 20 COLUMNS)

L40 L39	L38 L37	L36 L35	L34 L33	L32 L31	L30 L29	L28 L27	L26 L25	L24 L23	L22 L21	L20 L19	L18 L17	L16 L15	L14 L13	L12 L11	L10 L9	L8 L7	L6 L5	L4 L3	L2 L1
SIG 100	SIG 100	SIG 100	SIG 100	SIG 100	SIG 100	SIG 100	SIG 100	SIG 100	SIG 100	SIG 100	SIG 100	SIG 100	SIG 100	SIG 100	SIG 100	SIG 100	SIG 100	SIG 100	SIG 100
K40 K39	K38 K37	K36 K35	K34 K33	K32 K31	K30 K29	K28 K27	K26 K25	K24 K23	K22 K21	K20 K19	K18 K17	K16 K15	K14 K13	K12 K11	K10 K9	K8 K7	K6 K5	K4 K3	K2 K1
J40 J39	J38 J37	J36 J35	J34 J33	J32 J31	J30 J29	J28 J27	J26 J25	J24 J23	J22 J21	J20 J19	J18 J17	J16 J15	J14 J13	J12 J11	J10 J9	J8 J7	J6 J5	J4 J3	J2 J1
SIG 100	SIG 100	SIG 100	SIG 100	SIG 100	SIG 100	SIG 100	SIG 100	SIG 100	SIG 100	SIG 100	SIG 100	SIG 100	SIG 100	SIG 100	SIG 100	SIG 100	SIG 100	SIG 100	SIG 100
I40 I39	I38 I37	I36 I35	I34 I33	I32 I31	I30 I29	I28 I27	I26 I25	I24 I23	I22 I21	I20 I19	I18 I17	I16 I15	I14 I13	I12 I11	I10 I9	I8 I7	I6 I5	I4 I3	I2 I1
H40 H39	H38 H37	H36 H35	H34 H33	H32 H31	H30 H29	H28 H27	H26 H25	H24 H23	H22 H21	H20 H19	H18 H17	H16 H15	H14 H13	H12 H11	H10 H9	H8 H7	H6 H5	H4 H3	H2 H1
SIG 100	SIG 100	SIG 100	SIG 100	SIG 100	SIG 100	SIG 100	SIG 100	SIG 100	SIG 100	SIG 100	SIG 100	SIG 100	SIG 100	SIG 100	SIG 100	SIG 100	SIG 100	SIG 100	SIG 100
G40 G39	G38 G37	G36 G35	G34 G33	G32 G31	G30 G29	G28 G27	G26 G25	G24 G23	G22 G21	G20 G19	G18 G17	G16 G15	G14 G13	G12 G11	G10 G9	G8 G7	G6 G5	G4 G3	G2 G1
F40 F39	F37 F37	F36 F35	F34 F33	F32 F31	F30 F29	F28 F27	F26 F25	F24 F23	F22 F21	F20 F19	F18 F17	F16 F15	F14 F13	F12 F11	F10 F9	F8 F7	F6 F5	F4 F3	F2 F1
POWER	POWER	SIG 100	SIG 100	SIG 100	SIG 100	SIG 100	SIG 100	SIG 100	SIG 100	SIG 100	SIG 100	SIG 100	SIG 100	SIG 100	SIG 100	SIG 100	SIG 100	SIG 100	SIG 100
E40 E39	E38 E37	E36 E35	E34 E33	E32 E31	E30 E29	E28 E27	E26 E25	E24 E23	E22 E21	E20 E19	E18 E17	E16 E15	E14 E13	E12 E11	E10 E9	E8 E7	E6 E5	E4 E3	E2 E1
D40 D39	D38 D37	D36 D35	D34 D33	D32 D31	D30 D29	D28 D27	D26 D25	D24 D23	D22 D21	D20 D19	D18 D17	D16 D15	D14 D13	D12 D11	D10 D9	D8 D7	D6 D5	D4 D3	D2 D1
POWER	POWER	SIG 100	SIG 100	SIG 100	SIG 100	SIG 100	SIG 100	SIG 100	SIG 100	SIG 100	SIG 100	SIG 100	SIG 100	SIG 100	SIG 100	SIG 100	SIG 100	SIG 100	SIG 100
C40 C39	C38 C37	C36 C35	C34 C33	C32 C31	C30 C29	C28 C27	C26 C25	C24 C23	C22 C21	C20 C19	C18 C17	C16 C15	C14 C13	C12 C11	C10 C9	C8 C7	C6 C5	C4 C3	C2 C1
B40 B39	B38 B37	B36 B35	B34 B33	B32 B31	B30 B29	B28 B27	B26 B25	B24 B23	B22 B21	B20 B19	B18 B17	B16 B15	B14 B13	B12 B11	B10 B9	B8 B7	B6 B5	B4 B3	B2 B1
POWER	POWER	SIG 100	SIG 100	SIG 100	SIG 100	SIG 100	SIG 100	SIG 100	SIG 100	SIG 100	SIG 100	SIG 100	SIG 100	SIG 100	SIG 100	SIG 100	SIG 100	SIG 100	SIG 100
A40 A39	A38 A37	A36 A35	A34 A33	A32 A31	A30 A29	A28 A27	A26 A25	A24 A23	A22 A21	A20 A19	A18 A17	A16 A15	A14 A13	A12 A11	A10 A9	A8 A7	A6 A5	A4 A3	A2 A1

"MIRROR LINE"

BROKEN LINE INDICATES THAT THESE
SOLDER POINTS (FOR THE TRIAD SHIELD)
ARE ELECTRICALLY COMMON WITHIN CONNECTOR

FUNCTIONAL SYMBOLS	THIS DRAWING CONTAINS INFORMATION THAT IS PROPRIETARY TO MOLEX ELECTRONIC TECHNOLOGIES, LLC AND SHOULD NOT BE USED WITHOUT WRITTEN PERMISSION		CURRENT REV DESC:	
	FA = 0	mm	NTS	
DIVISIONAL SYMBOLS	FE = 0	GENERAL TOLERANCES (UNLESS SPECIFIED)		
	FP = 0	ANGULAR TOL ± 0.5°		
DRAFT WHERE APPLICABLE MUST REMAIN WITHIN DIMENSIONS		THIRD ANGLE PROJECTION	DRAWING	SERIES
			D-SIZE	170814
DOCUMENT STATUS		MATERIAL NUMBER		CUSTOMER
P1	RELEASE DATE	SEE TABLE		GENERAL MARKET
	2020/03/26 10:04:54			
		DOCUMENT NUMBER		DOC TYPE
		SD-170814-2009		PSD
		INITIAL REVISION:		DOC PART
		DRWN: HCGOH 2013/12/30		001
		APPR: SHONG 2014/01/27		A1
		SHEET NUMBER		
		3 OF 3		

molex

RECEPTACLE, NEOSCALE, 6X20

PRODUCT CUSTOMER DRAWING

DOC TYPE DOC PART REVISION

PSD 001 A1

SHEET NUMBER

3 OF 3