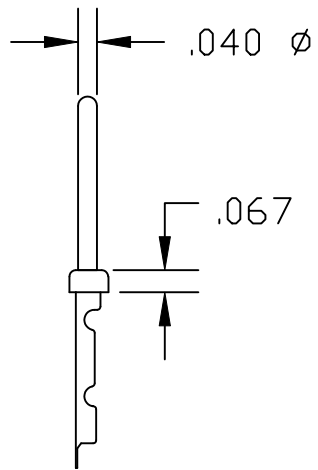
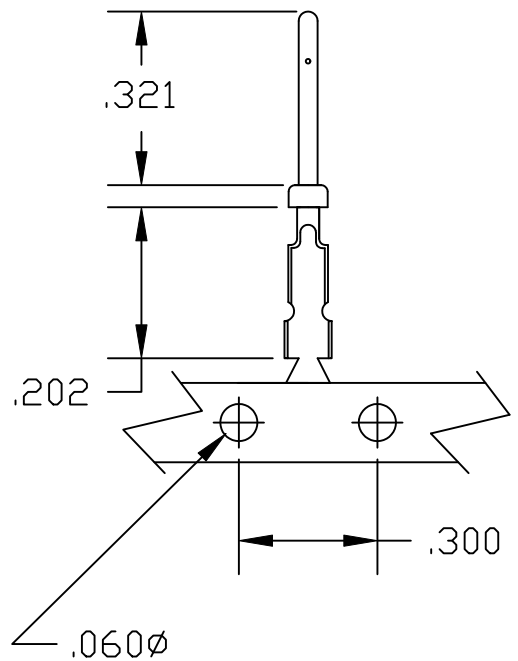


DESCRIPTION: D-SUB CRIMP CONTACT

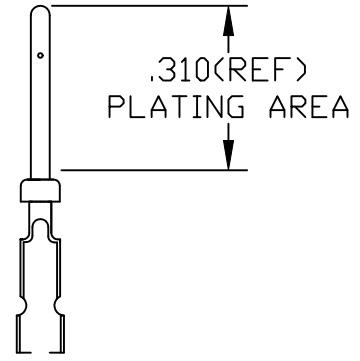


MATERIAL: BRASS
RoHS COMPLIANT

WIRE SIZE: 24 - 28 AWG


NOTE #1: CONTACTS SUPPLIED ON 10,000 PC REEL
NOTE #2: RECOMMENDED MAX. INSULTATION DIAMETER FOR 24-28 IS .035".

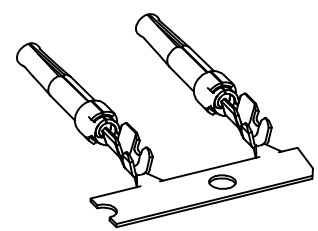
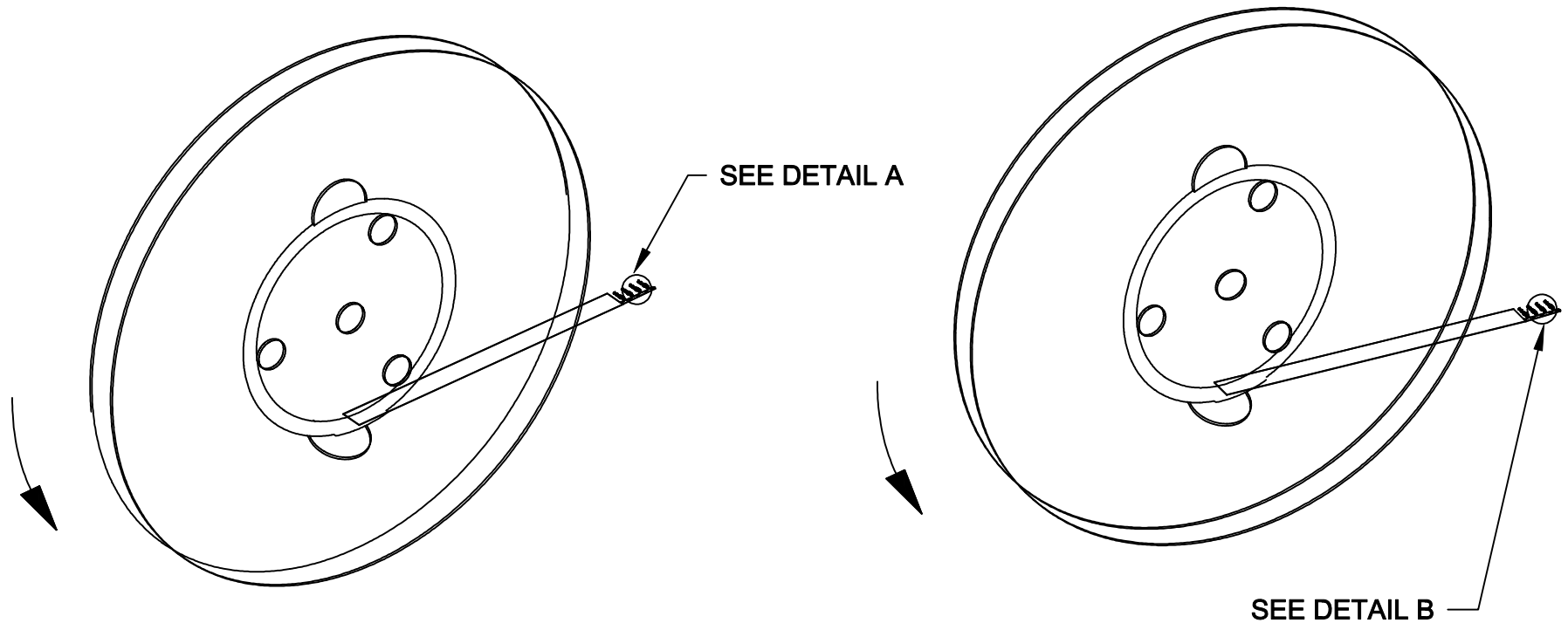
GOLD PLATING THICKNESS IS BETWEEN 1u" AND 1.5u"



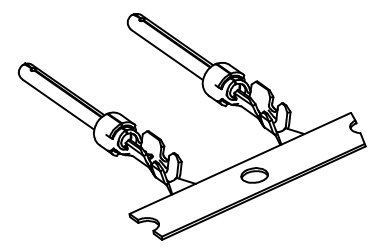
WIRE SIZE:

| PLATING | 24-28 |
|--|-----------------|
| GOLD FLASH ON MATING AREA NICKEL ON WIRE CRIMP | 170-001-170L001 |
| .000010" GOLD OVER .000050" NICKEL ENTIRE CONTACT | 170-001-170L002 |
| .000030" GOLD OVER .000100" NICKEL ENTIRE CONTACT | 170-001-170L003 |


| | | | | |
|--|---|-----------------|-----------------------|------------------|
|  | THESE DRAWINGS AND SPECIFICATIONS ARE THE PROPERTY OF NorComp AND SHALL NOT BE REPRODUCED, COPIED OR USED AS THE BASIS FOR THE MANUFACTURE OF SALE OF APPARATUS WITHOUT WRITTEN PERMISSION. | | DRAWN: PAM JENKINS | DATE: 7-25-05 |
| | NorComp | | CHECKED: | DATE: |
| SCALE: | | SHEET 1 OF 2 | REV 3 | |
| DWG NO. | | 170-001-170L00Y | | |



DETAIL A



DETAIL B

| | | | | |
|--|---|--|-------------------------|------------------|
|  | THESE DRAWINGS AND SPECIFICATIONS ARE THE PROPERTY OF NorComp AND SHALL NOT BE REPRODUCED, COPIED OR USED AS THE BASIS FOR THE MANUFACTURE OF SALE OF APPARATUS WITHOUT WRITTEN PERMISSION. | | DRAWN: PAM JENKINS | DATE: 7-25-05 |
| | NorComp | | CHECKED: | DATE: |
| SCALE: | | | SHEET 2 OF 2 | REV 3 |
| | | | DWG NO. 170-001-170L00Y | |