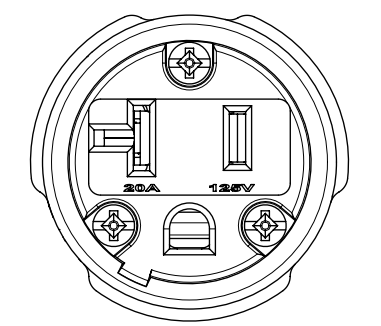
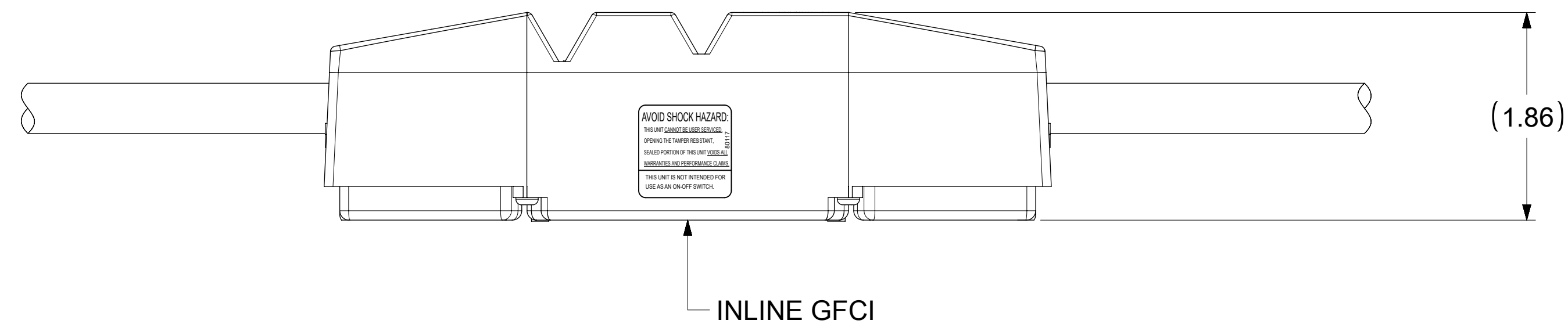
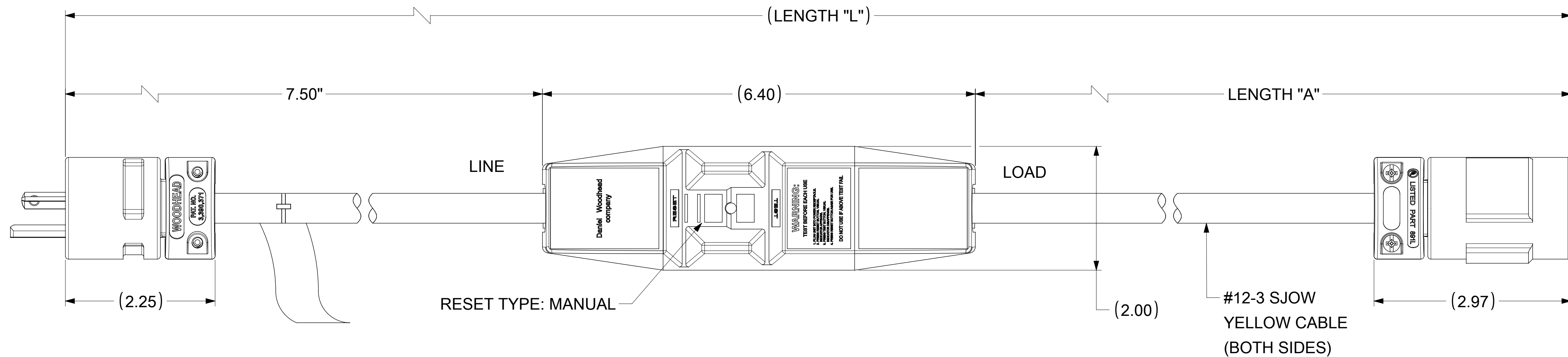


1433 AS SHOWN



1533 AS SHOWN



**TECHNICAL**

LISTED: cULus  
 RATED SUPPLY VOLTAGE: 120VAC  
 RATED CURRENT: 20A  
 RESET TYPE: MANUAL  
 OPERATING FREQUENCY: 60 Hz  
 TYPE: CLASS A  
 GROUND TRIP CURRENT: 4-6 mA  
 OVERLOAD CURRENT: 120A  
 INSULATION VOLTAGE: 1,500 VRMS - 1 MINUTE  
 ENDURANCE OPERATIONS: 3000 OPERATIONS

MATERIAL NO.	ENGINEERING NO.	LENGTH "A"	LENGTH "L"	PLUG	CONNECTOR
1301530111	20051-1	9.50 IN.	1 FT. 11.4 IN	1433	1533
1301530119	20051-6	4 FT. 10.5 IN.	6 FT. 0.4 IN.	1433	1533
1301530116	20051-25	23 FT. 10.5 IN.	25 FT. 0.4 IN.	1433	1533

FUNCTIONAL SYMBOLS $\nabla_A = 0$ $\nabla_C = 0$ $\nabla_D = 0$ DIVISIONAL SYMBOLS	THIS DRAWING CONTAINS INFORMATION THAT IS PROPRIETARY TO MOLEX ELECTRONIC TECHNOLOGIES, LLC AND SHOULD NOT BE USED WITHOUT WRITTEN PERMISSION		DIMENSION UNITS: INCH SCALE: NTS		CURRENT REV DESC: NEW SALES DRAWING CREATED							
	GENERAL TOLERANCES (UNLESS SPECIFIED) ANGULAR TOL ± °		4 PLACES ± 3 PLACES ± 2 PLACES ± 1 PLACE ± 0 PLACES ±		EC NO: 693004 DRWN: PPURSUTANDEL 2022/01/21 CHK'D: DNGUYEN62 2022/01/26 APPR: HKNEELAND 2022/02/02						GFCI IN-LINE 20A WITH SAFEWAY PLUG AND CONNECTOR	
	DRAFT WHERE APPLICABLE MUST REMAIN WITHIN DIMENSIONS		THIRD ANGLE PROJECTION		DRAWING: D-SIZE SERIES: 130153		INITIAL REVISION: DRWN: PPURSUTANDEL 2022/01/21 APPR: HKNEELAND 2022/02/02		PRODUCT CUSTOMER DRAWING		DOCUMENT NUMBER: 1301530111 DOC TYPE: PSD DOC PART: 000 REVISION: A	
	MATERIAL NUMBER: SEE TABLE		CUSTOMER: GENERALMARKET		SHEET NUMBER: 1 OF 1		MATERIAL NUMBER: 1301530111		DOC TYPE: PSD		DOC PART: 000	