

6

5

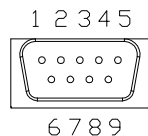
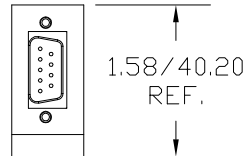
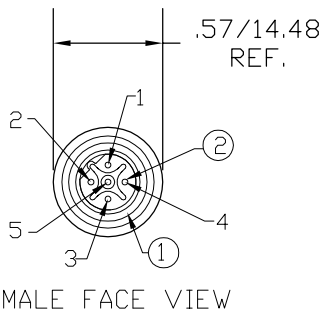
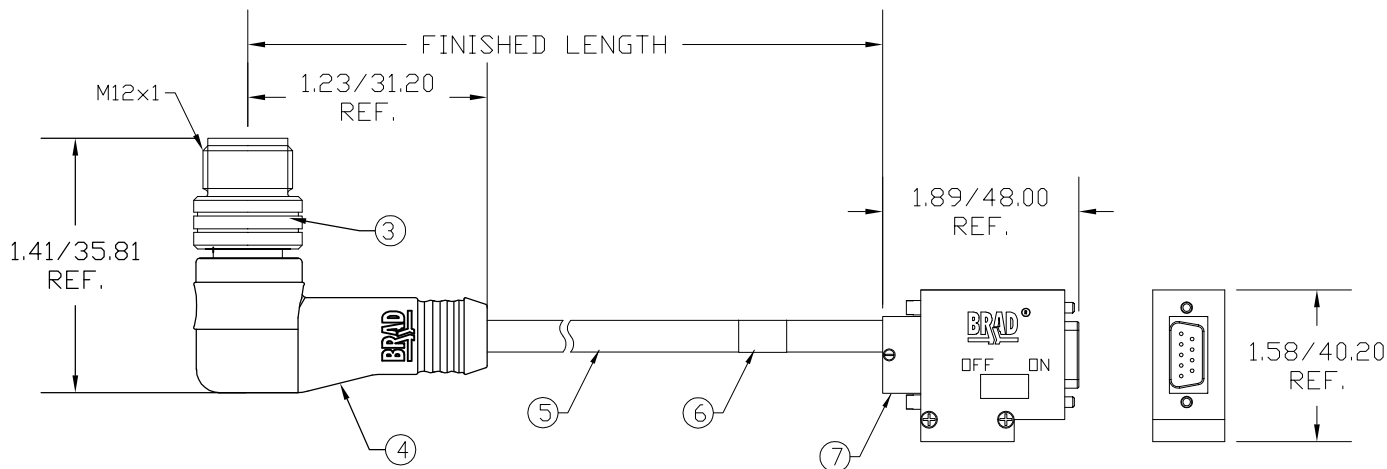
4

3

2

1

MATERIAL NUMBER	ENGINEERING PART NUMBER	FINISHED LENGTH
1200980223	BM5S61PP4M010	3.28' +2.19" -0 [1.0M +55.6 -0]
1200980157	BM5S61PP4M050	16.40' +6.50" -0 [5.0M +165.1 -0]



D-SUB FACE VIEW

1	NOT CONNECTED	
2	GREEN (LINE A)	8
3	NOT CONNECTED	
4	RED (LINE B)	3
5	DRAIN WIRE	

WIRING DIAGRAM

PINS 1, 2, 4, 5, 7, & 9 ARE NOT CONNECTED ON D-SUB

VOLTAGE RATING	250 VAC/VDC
AMPERAGE RATING	4 AMPS
PROTECTION FOR M12 CONNECTOR	IP67
PROTECTION FOR D-SUB	IP40
OPERATING TEMPERATURE	-20°C TO 80°C

ITEM	COMPONENT	MATERIAL	FINISH
1	INSERT	NYLON	BLACK
2	CONTACT PIN	COPPER ALLOY	GOLD OVER NICKEL
3	COUPLING NUT	BRASS	NICKEL PLATED
4	OVERMOLD	PUR	YELLOW
5	CABLE- 22 AWG, COPPER STRANDING TWISTED PAIR SHIELD WITH BRAID	PUR	PURPLE
6	LABEL	MLYAR	BLACK/YELLOW
7	D-SUB	ABS	BLACK

RLSD DRAWING
 EC NO: WNA2010-0143
 DRWN: TWOLDEGE 8/26/09
 CHKD: BWOODMAN
 APPR: JFMURPHY 2009/08/28

QUALITY SYMBOLS
 ▽=0
 ▽/C=0

REV A

GENERAL TOLERANCES (UNLESS SPECIFIED)

	mm	INCH
4 PLACES	±---	±---
3 PLACES	±---	±---
2 PLACES	±---	±.01
1 PLACE	±0.3	±---

ANGULAR ±---°

DRAFT WHERE APPLICABLE MUST REMAIN WITHIN DIMENSIONS

DIMENSION STYLE IN/MM

SCALE ---

DESIGN UNITS ---

THIRD ANGLE PROJECTION

DRAWN BY DATE
 TWOLDEGE 2009/08/26

CHECKED BY DATE
 BWOODMAN 2009/08/26

APPROVED BY DATE
 JFMURPHY 2009/08/27

MATERIAL NO.

SEE CHART

SIZE A

TITLE
 MICRO-CHANGE CORDSET
 5P MALE PROFIBUS TO DSUB
 PUR CABLE

MOLEX INCORPORATED

DOCUMENT NO. SD-120098-003

SHEET NO. 1 OF 1

THIS DRAWING CONTAINS INFORMATION THAT IS PROPRIETARY TO MOLEX INCORPORATED AND SHOULD NOT BE USED WITHOUT WRITTEN PERMISSION

6

5

4

3

2

1