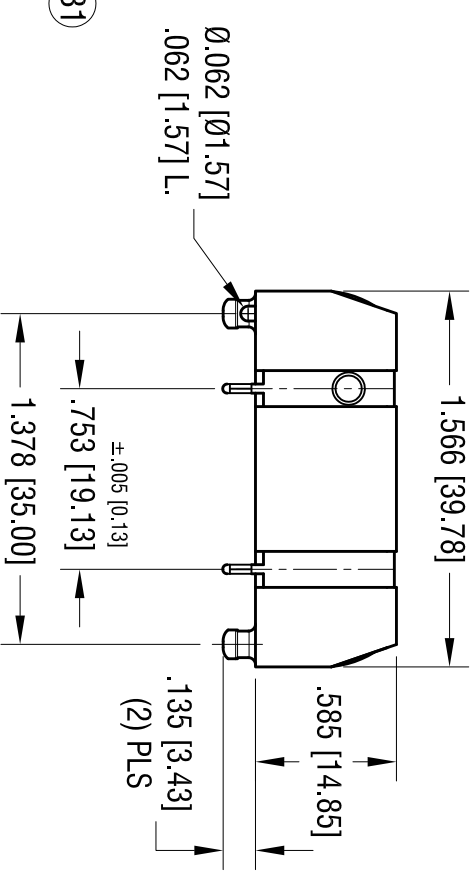
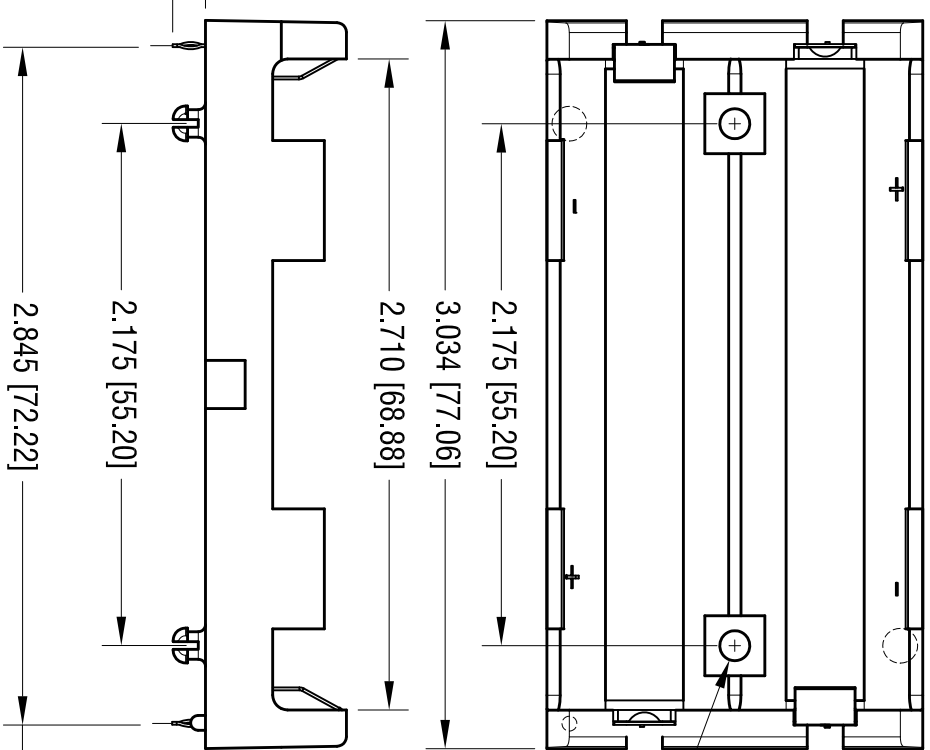
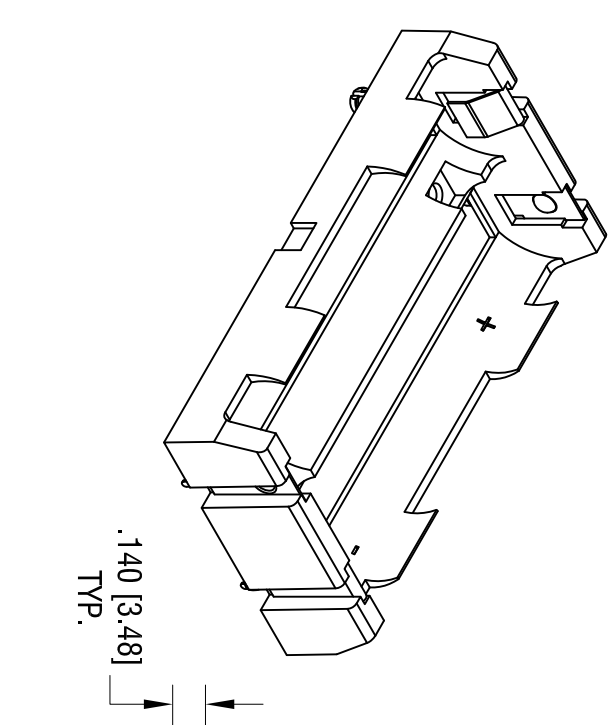
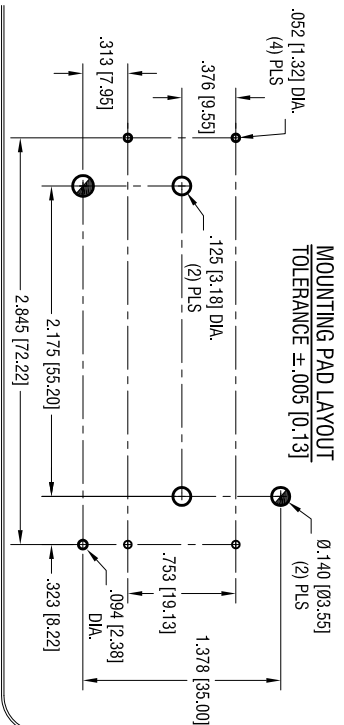


DATE	DESCRIPTION	REV.
10.08.13	CHANGE AS PER ECN 13-091	A
1.03.17	CHANGE AS PER ECN 17-003 B1 WAS 2.822 [71.64]	B



- NOTE:
1. BASE:
MATEL: HEAT RESISTANCE NYLON
STANLYL 46 OR EQUIVALENT
 2. CONTACT:
MATEL: .012 [0.30]THK STAINLESS STEEL
FINISH: TIN NICKEL PLATE
 3. HOLDER DESIGNED FOR BATTERIES 67mm LONG
WITH BUILD IN CIRCUIT PROTECTION

THIS DOCUMENT IS THE PROPERTY OF KEYSTONE ELECTRONICS CORP. AND SHALL NOT BE REPRODUCED, DISTRIBUTED OR USED AS A BASIS FOR MANUFACTURE WITHOUT PRIOR WRITTEN PERMISSION FROM KEYSTONE ELECTRONICS CORP.

KEYSTONE ELECTRONICS CORP.			
www.keystonectronics.com • ASTORIA, N.Y. 11105-2017 • Tel (718) 956-8900			
PART NAME DUAL THM POLARIZED HOLDER			
MATERIAL AS NOTED			
FINISH AS NOTED		DRN BY NT	
TOLERANCES DECIMAL ± .010 [± 0.25] ANGULAR ± 1° UNLESS OTHERWISE SPECIFIED		CODE C	DWG NO. 1049P
		App'D RH	DATE 7.15.13
			SCALE 1.25X