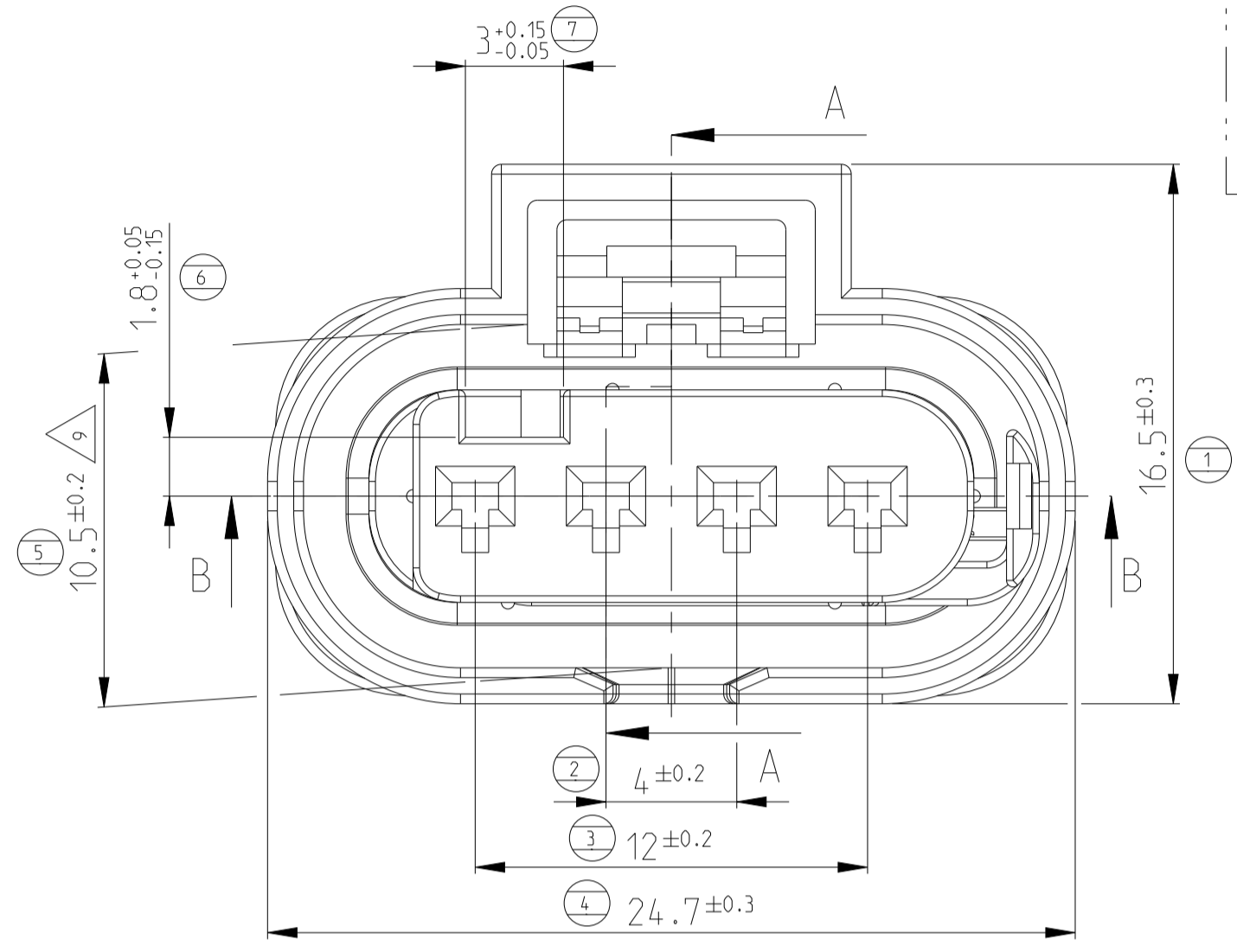
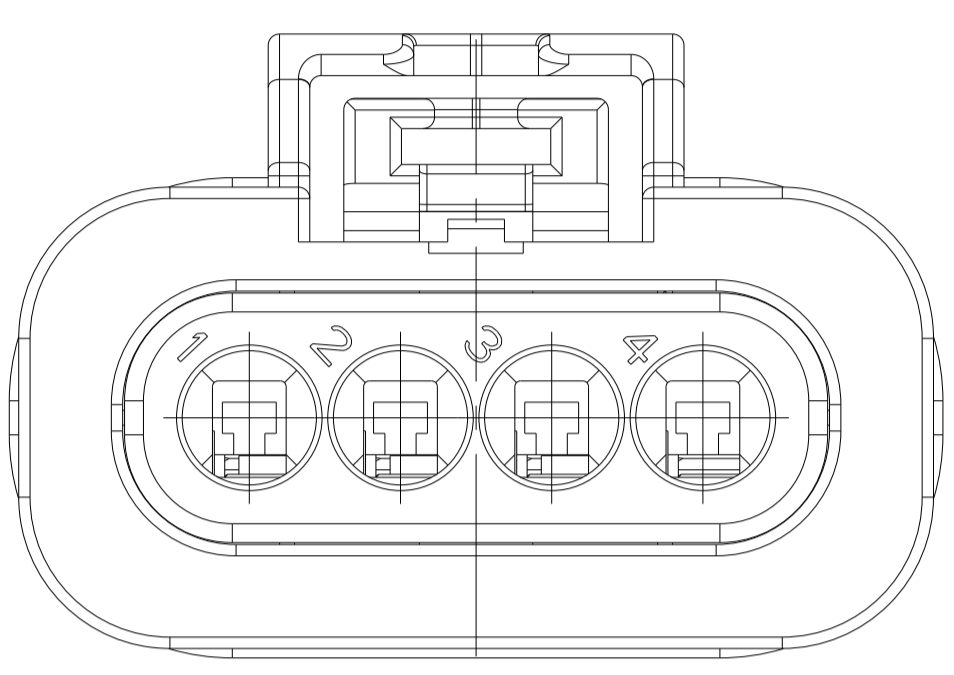
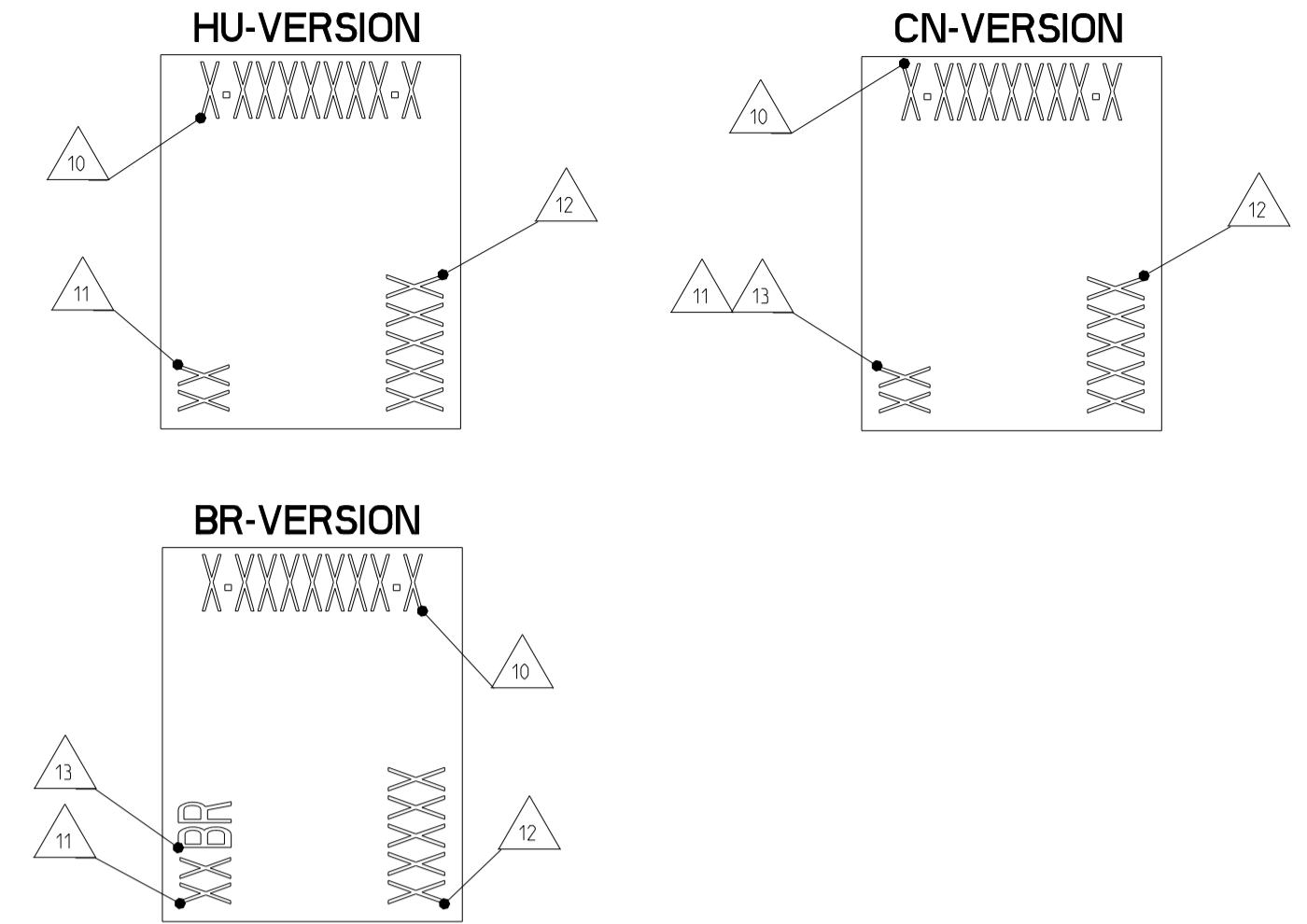
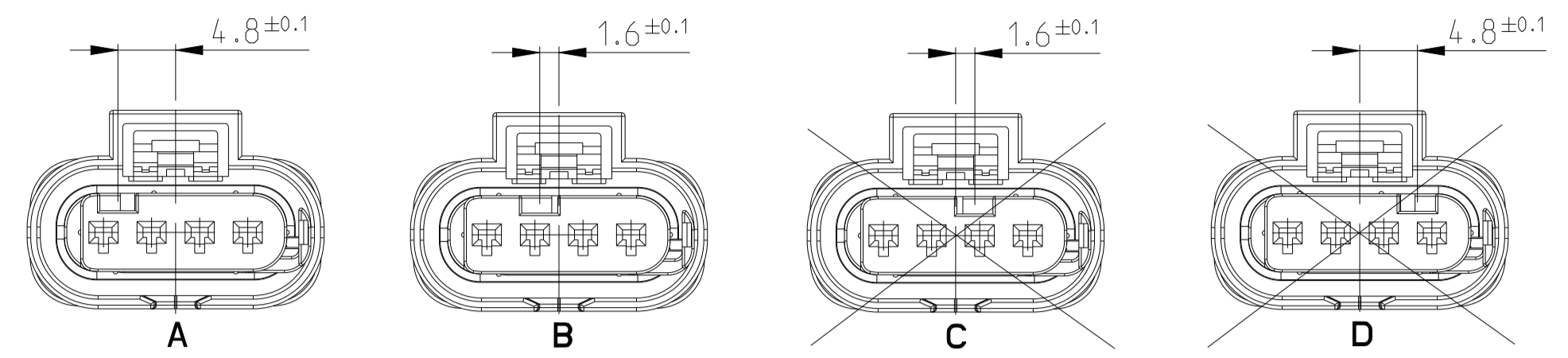


PRINT: 5:1



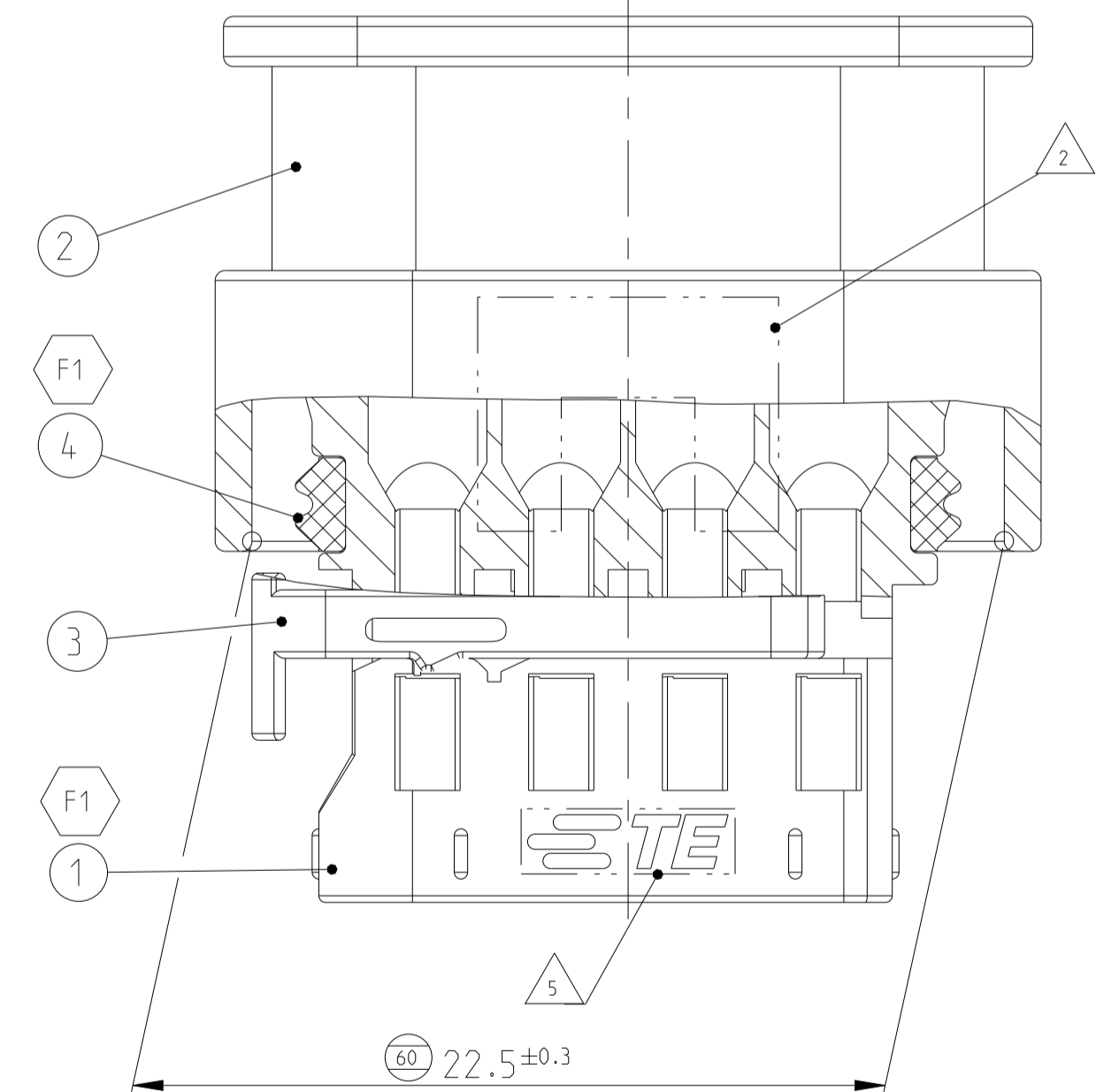
CODINGS M 2:1



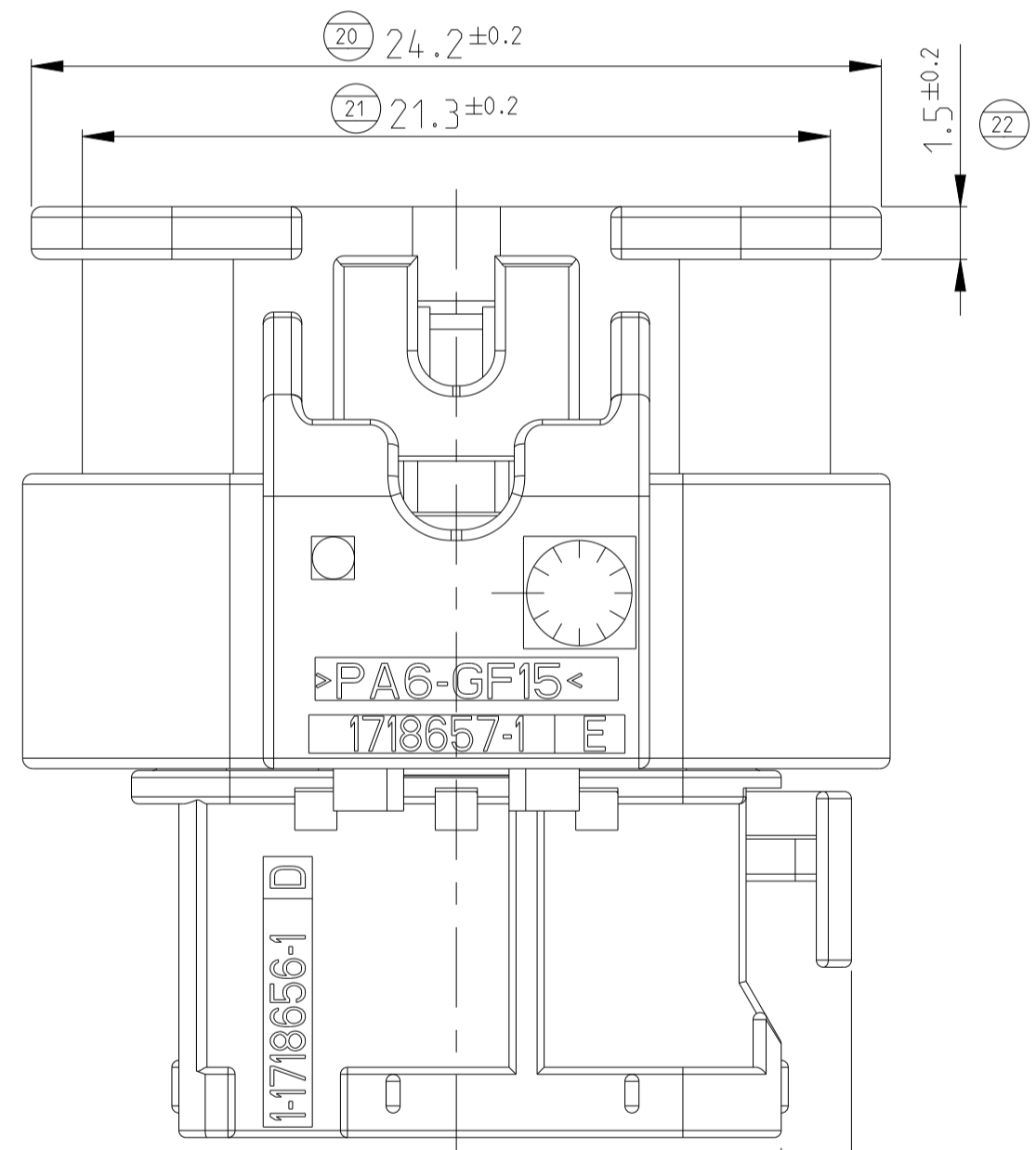
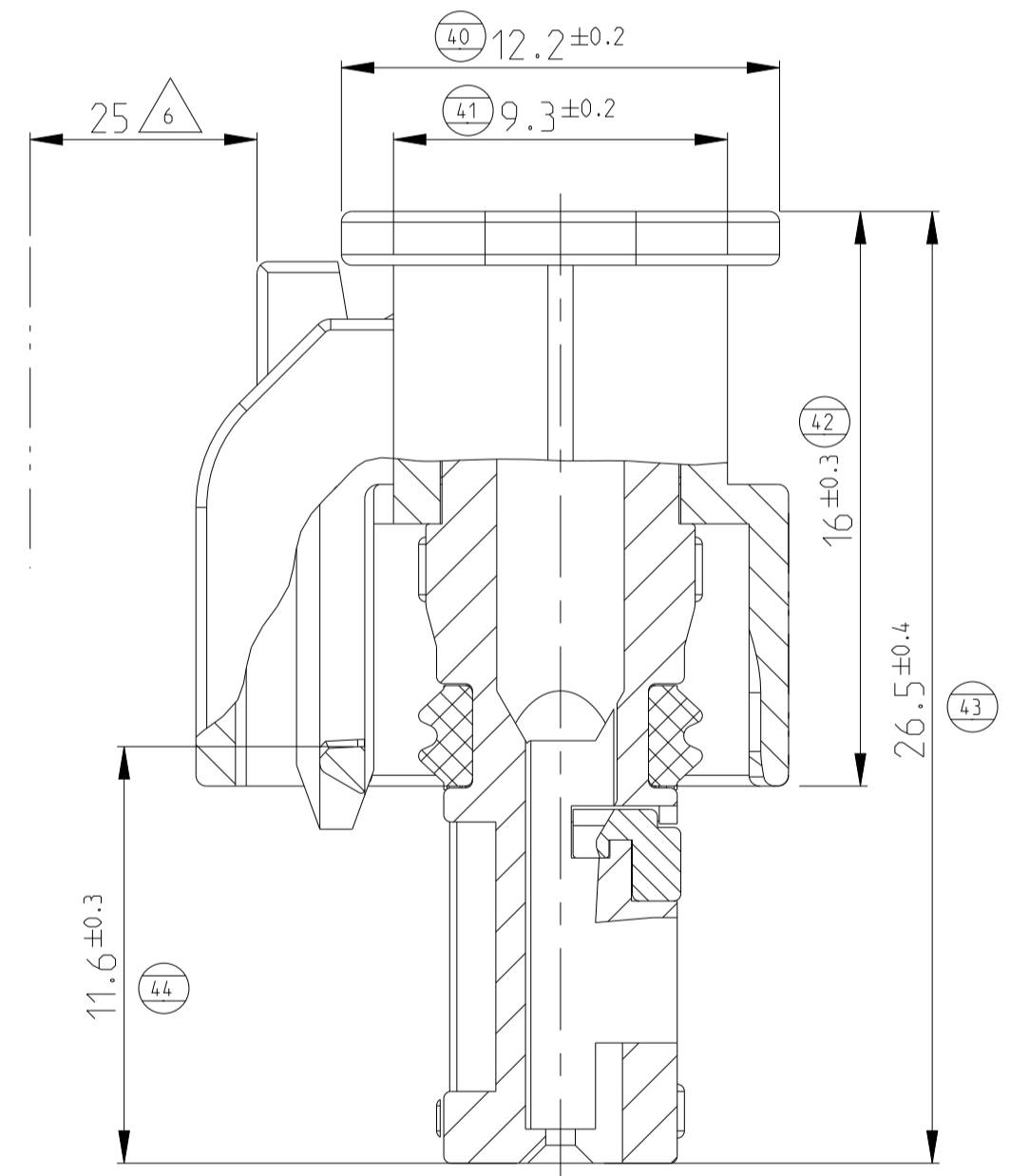
NOTES:

- 1 MAX. WIRE SIZE RANGE 1.0 mm² FLR PERMITTED FOR CAVITY-Ø 3.55MM QUANTITY SEE WIRE HARNESS DRAWING FOR PERMISSIBLE CURRENT CARRYING CAPACITY OF THE SINGLE CONTACT SEE PRODUCT SPECIFICATION NO. 108-18782
 - 2 AREA FOR PRINT
 - 3 USABLE CONTACTS MCON 1.2 LL SEE TE-NO. 1452674, SINGLE WIRE SEAL-VERSION
 - 4 ACCORDING TO INTERFACE DRAWING 114-18679-3
 - 5 SUPPLIER-MARK
 - 6 SPACE OF ACTIVITY
 - 7 SUPPLY CONDITION: CPA IN PRELOCKED POSITION
 - 8 SUPPLY CONDITION: RETAINER IN PRELOCKED POSITION
 - 9 WARPAGE PERMITTED TO MAX. -0.5mm
 - 10 TE ORDER-NO.
 - 11 ASSEMBLY LINE SEGMENT IDENTIFICATION
 - 12 DATE CODE (DDYY)
 - 13 DIVERGENT MARKING FOR PARTS FROM CHINESE AND U.S. PRODUCTION
- 1-...-1 AS SHOWN

B-B



A-A

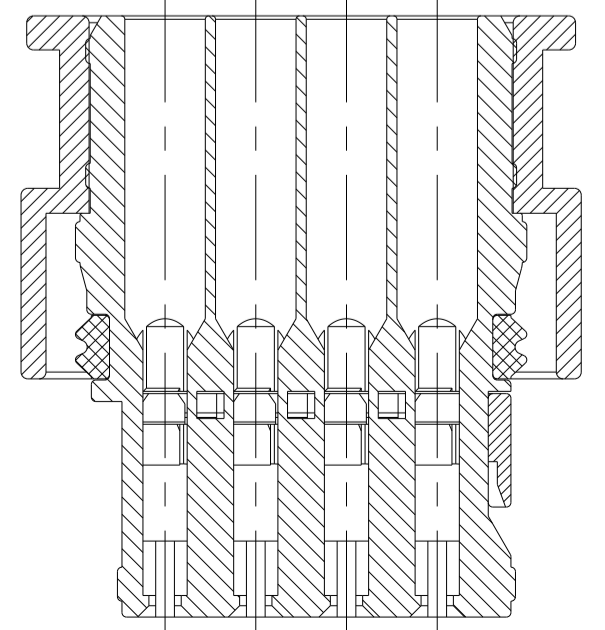


MOVING AREA OF THE RETAINER

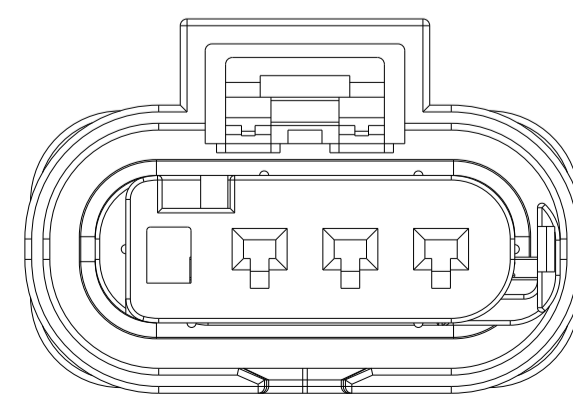
TE-ORDER-NO.	COD	DEFINITION	REV	QTY	DEFINITION	MATERIAL	SURFACE/COLOUR	ITEM	
1-1670918-5	A	4pos. MCON 1.2 - LL Connector, Sealed	E	1	4pos. MCON 1.2 - Seal	MVQ	NATURE	4	
				1	4pos. MCON 1.2 - Retainer	PA66-GF15	VIOLET	3	
				1	4pos. MCON 1.2 - Protec. Cover	PA6-GF15	BLACK	2	
2-1670918-1	B	4pos. MCON 1.2 - LL Connector, Sealed	F	1	4pos. MCON 1.2 - Seal	MVQ	NATURE	4	
				1	4pos. MCON 1.2 - Retainer	PA66-GF15	VIOLET	3	
				1	4pos. MCON 1.2 - Protec. Cover	PA6-GF15	BLACK	2	
1-1670918-1	A	4pos. MCON 1.2 - LL Connector, Sealed	F1	1	4pos. MCON 1.2 - Rec. Housing	PA66-GF30	NATURE	1	
				1	4pos. MCON 1.2 - Seal	MVQ	NATURE	4	
				1	4pos. MCON 1.2 - Retainer	PA66-GF15	VIOLET	3	
					1	4pos. MCON 1.2 - Protec. Cover	PA6-GF15	BLACK	2
					1	4pos. MCON 1.2 - Rec. Housing	PA66-GF30	BLACK	1

RETAINER IN END POSITION

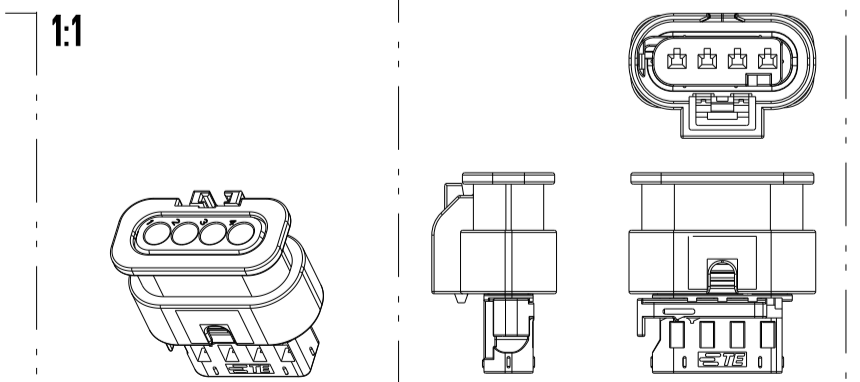
B-B 3:1



1-1670918-5 CAV. 4 CLOSED 3:1



3D VIEW



TOLERANCES UNLESS OTHERWISE SPECIFIED ACC. TO DIN 16901-140@CENTRIC TO NOMINAL DIMENSION, EDITION 1982-11 SHALL APPLY. Freimess toleranzen nach DIN 16901-140@. Es gilt die Ausgabe 1982-11.		THIS DRAWING IS A CONTROLLED DOCUMENT.		DWN R. Bachmann 19DEC2006	
DIMENSIONS: mm		TOLERANCES UNLESS OTHERWISE SPECIFIED:		APVD	
0 PLC	±	1 PLC	±	PRODUCT SPEC	NAME
2 PLC	±	2 PLC	±	108-18969	4pos. MCON 1.2 - LL Connector, Sealed
3 PLC	±	3 PLC	±	APPLICATION SPEC	SIZE
4 PLC	±	4 PLC	±	114-18861	CAGE CODE
ANGLES	±	FINISH	±	WEIGHT	DRAWING NO
				5 g	00779
				RESTRICTED CUSTOMER	SCALE
					5:1

TE TE Connectivity	
RESTRICTED TO	REV F1