

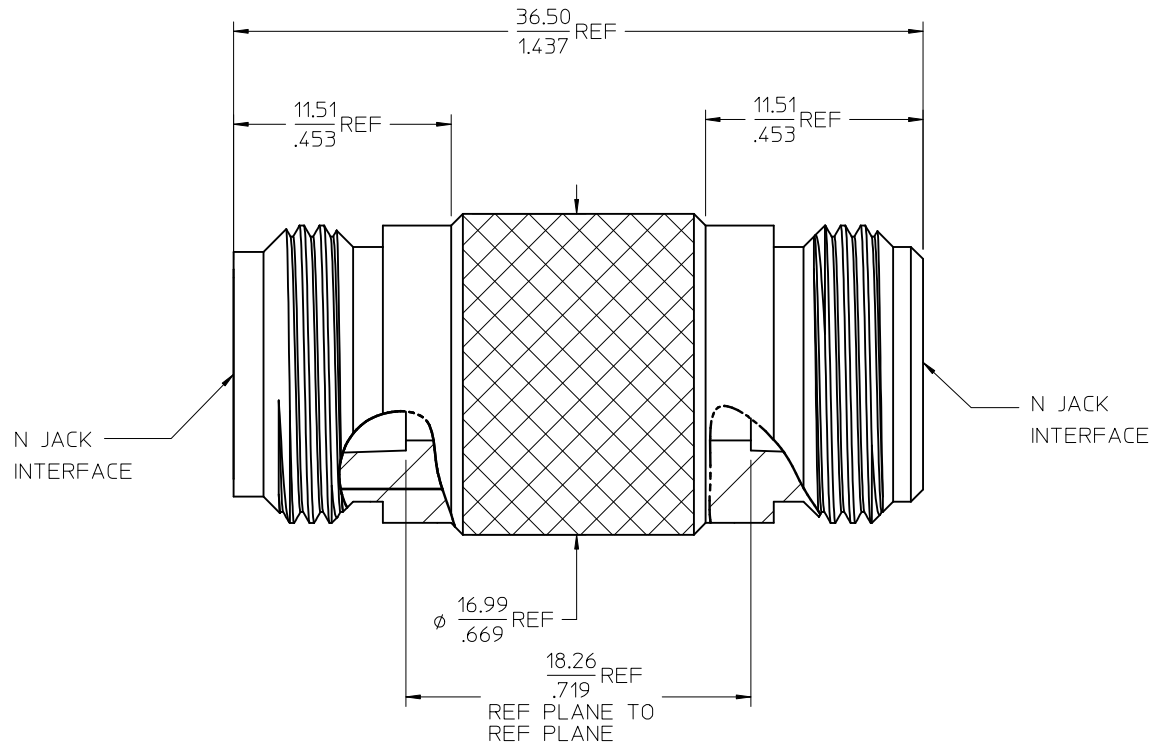
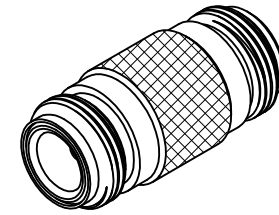
MATERIALS AND FINISHES

BODY BRASS
PLATED NICKEL

CENTER CONTACT BERYLLIUM COPPER
PLATED GOLD

INSULATOR TEFLON

OUTER CONTACT BRASS
PLATED NICKEL



73276-0023	ONE PIECE 73276-0022 PER BAG
73276-0022	BULK
PART NO.	PACKAGING

PS-89675-0940	ELECTRO/MECH PERFORM.
MIL-STD-348A, FIG. 304.2	INTERFACE
SPECIFICATION	DESCRIPTION

CHG: CLARIFIED BAGGING. EC NO: URF2010-0369 DRWN: ARBERTSON 2009/12/18 CHKD: SSS 2009/12/18 APPR: WIENER 2009/12/18	QUALITY SYMBOLS ▽=0 ▽=0	GENERAL TOLERANCES (UNLESS SPECIFIED) <table border="1"> <tr> <td></td> <td>mm</td> <td>INCH</td> </tr> <tr> <td>4 PLACES</td> <td>± .005</td> <td>± .0005</td> </tr> <tr> <td>3 PLACES</td> <td>± .005</td> <td>± .0005</td> </tr> <tr> <td>2 PLACES</td> <td>± .005</td> <td>± .0005</td> </tr> <tr> <td>1 PLACE</td> <td>± .005</td> <td>± .0005</td> </tr> </table> ANGULAR ± 2 °		mm	INCH	4 PLACES	± .005	± .0005	3 PLACES	± .005	± .0005	2 PLACES	± .005	± .0005	1 PLACE	± .005	± .0005	DIMENSION STYLE MM/IN	SCALE TITLE N JACK TO N JACK ADAPTER, 50 OHMS EWR-3117, N-AD/JJ	DESIGN UNITS METRIC	THIRD ANGLE PROJECTION
		mm	INCH																		
	4 PLACES	± .005	± .0005																		
	3 PLACES	± .005	± .0005																		
2 PLACES	± .005	± .0005																			
1 PLACE	± .005	± .0005																			
DRAWN BY JM	DATE 2006/05/31	CHECKED BY JM	DATE 2006/05/31	APPROVED BY JDW	DATE 2006/05/31	MOLEX MOLEX INCORPORATED															
MATERIAL NO. SEE TABLE	DOCUMENT NO. SD-73276-002	SHEET NO. 1 OF 1	THIS DRAWING CONTAINS INFORMATION THAT IS PROPRIETARY TO MOLEX INCORPORATED AND SHOULD NOT BE USED WITHOUT WRITTEN PERMISSION																		
DRAFT WHERE APPLICABLE MUST REMAIN WITHIN DIMENSIONS																					