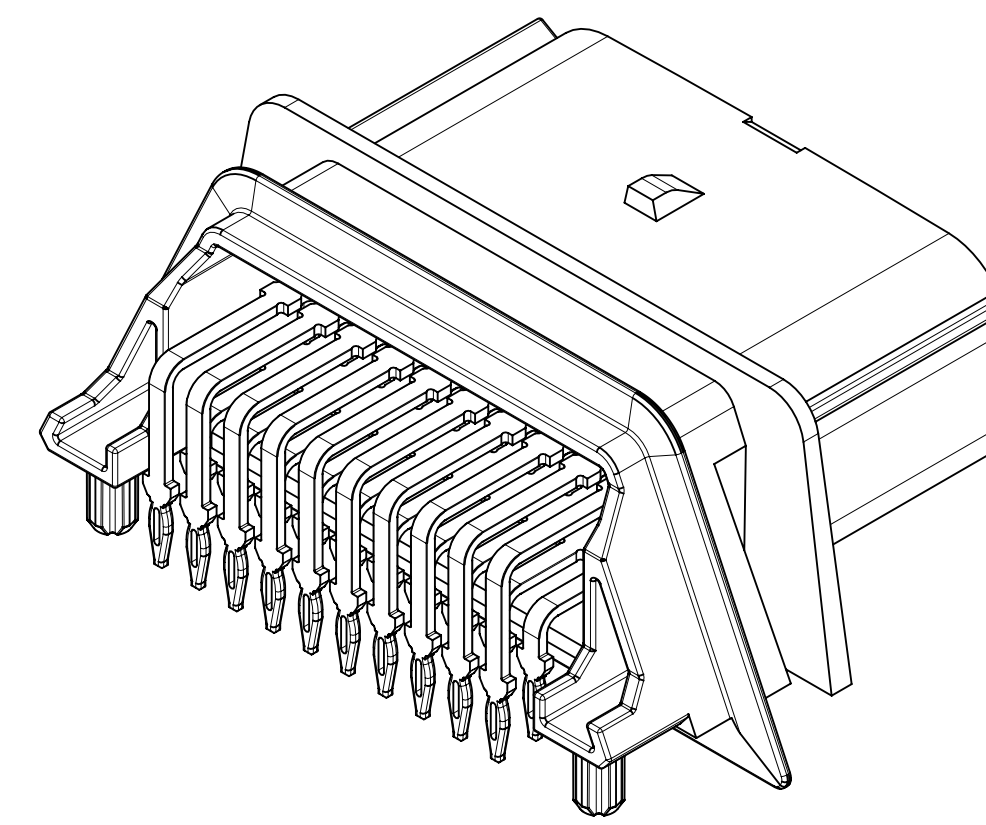
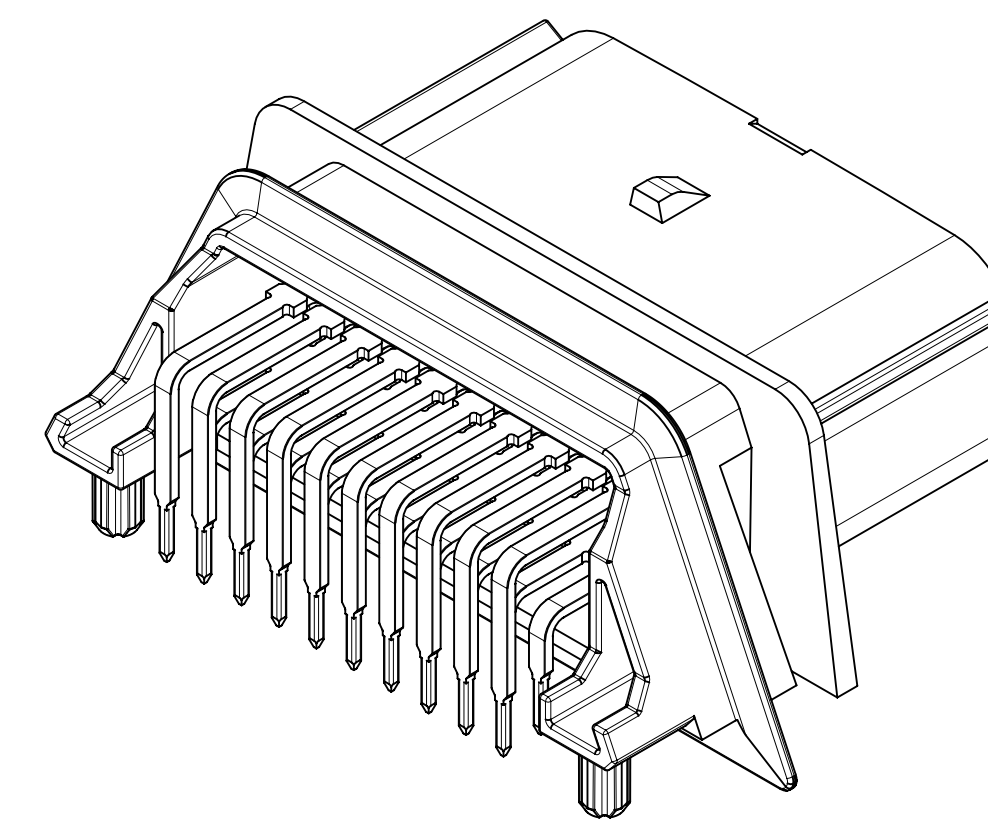


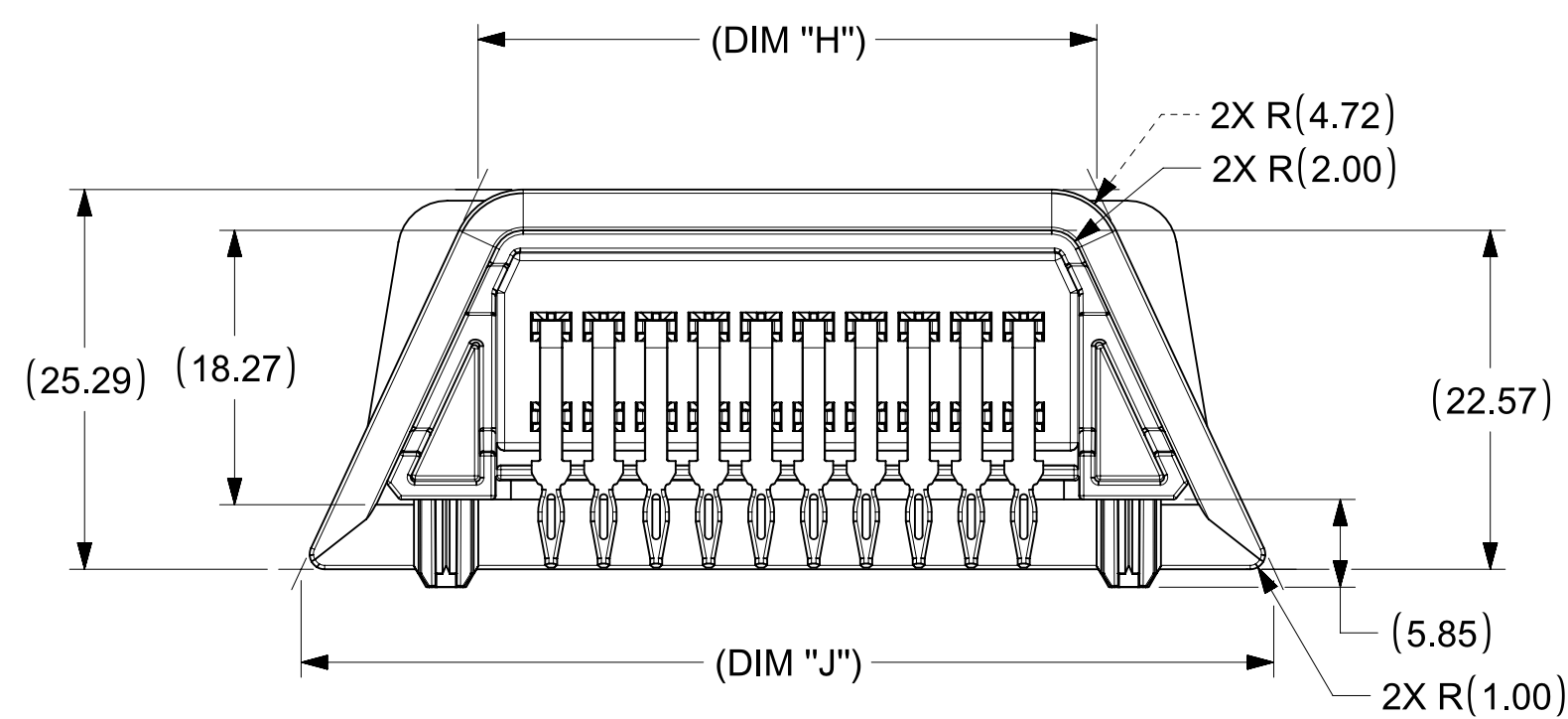
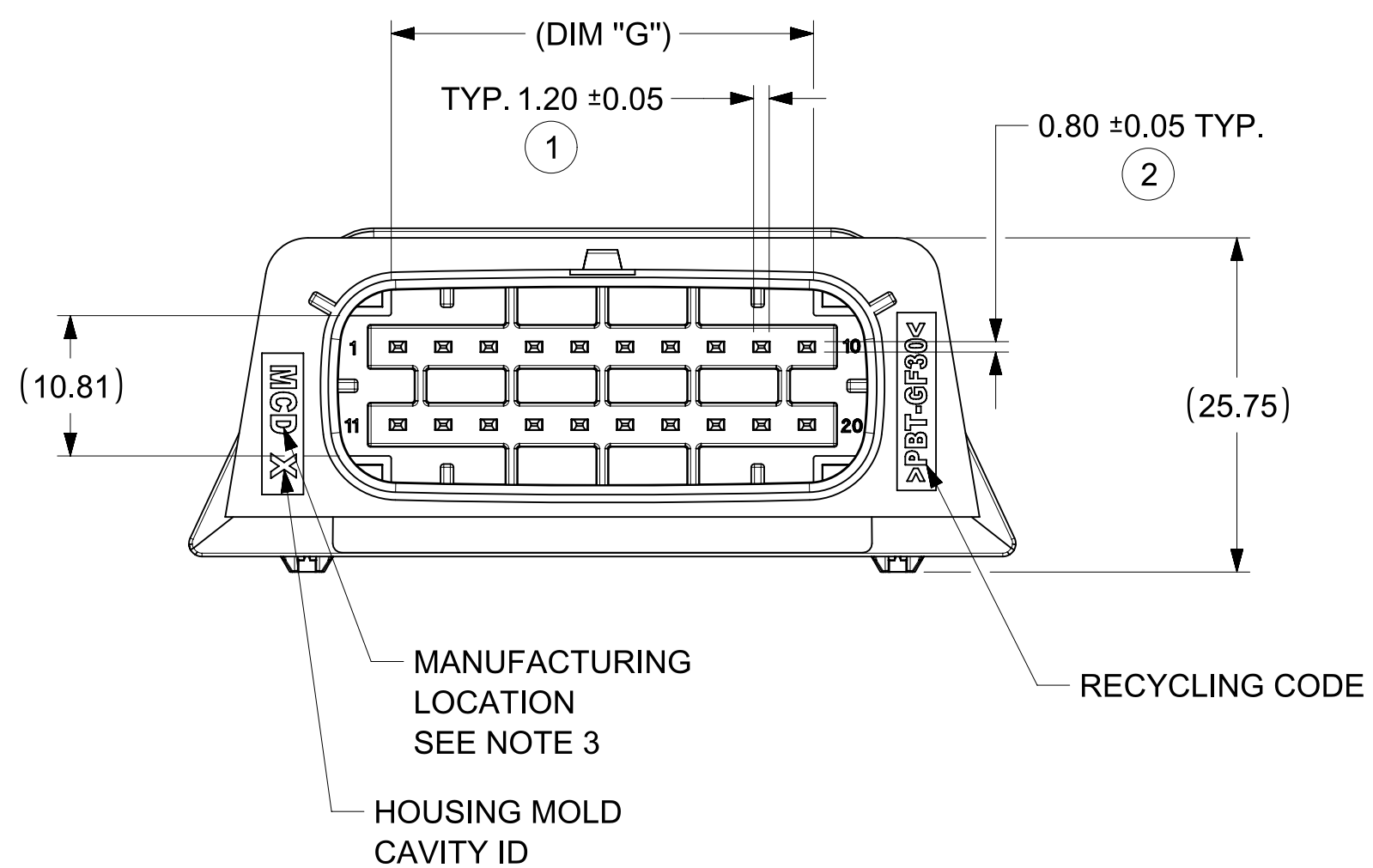
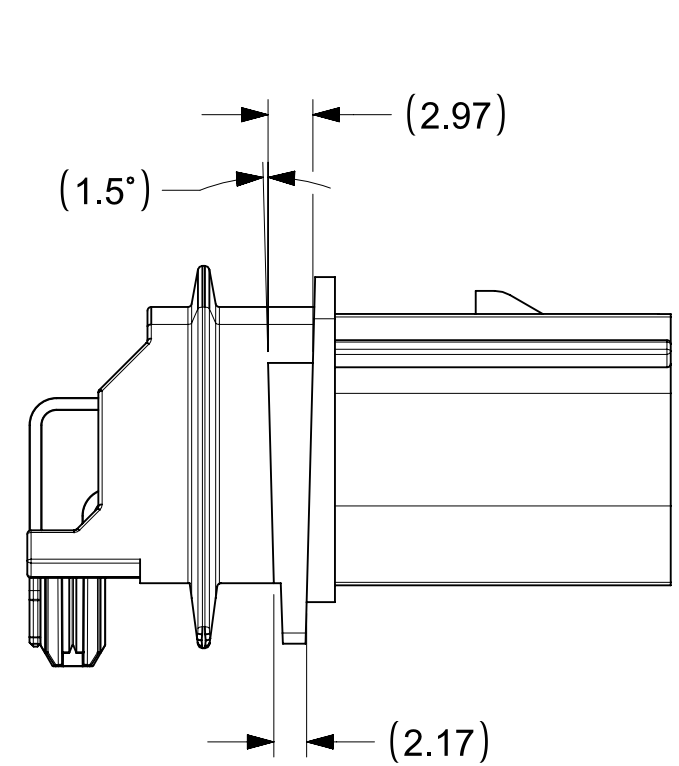
DETAIL A  
SCALE 10:1



EON SHOWN  
(2X10 SHOWN)



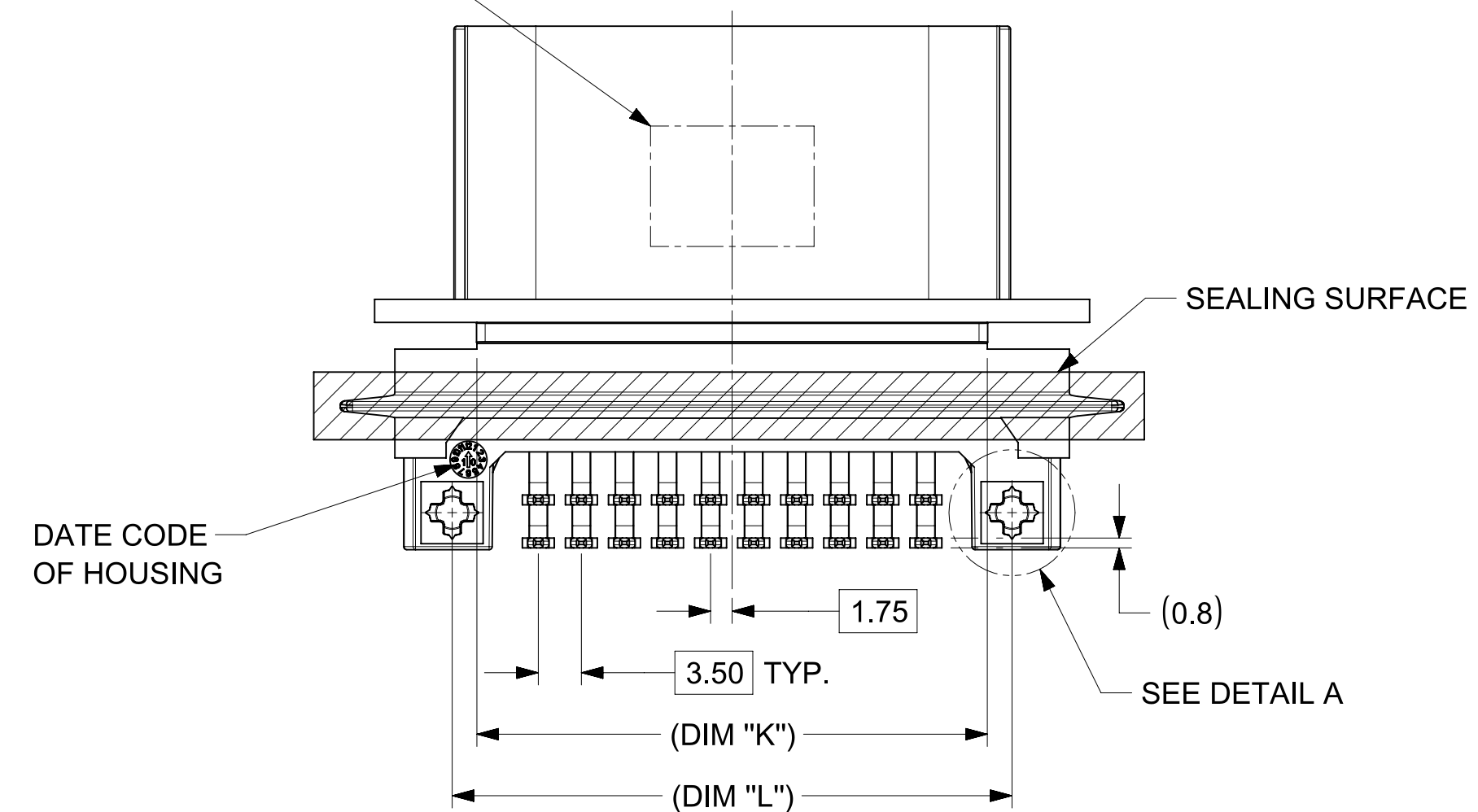
SOLDERTAIL SHOWN  
(2X10 SHOWN)



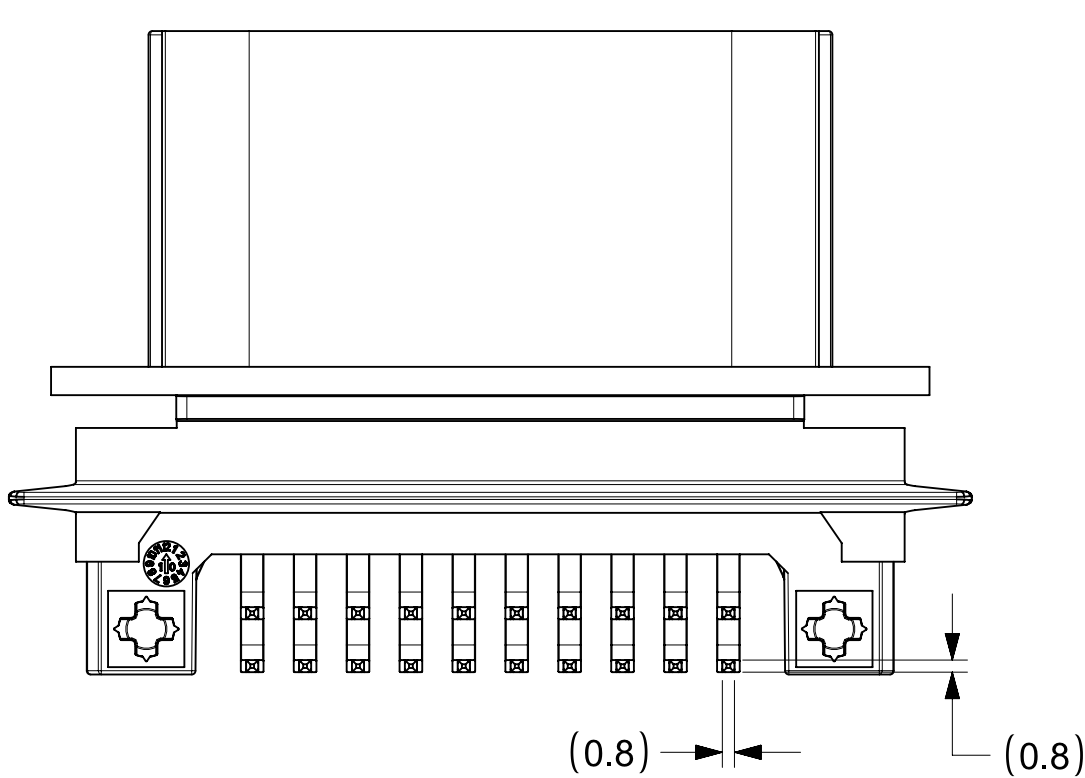
NOTES UNLESS OTHERWISE SPECIFIED

- GENERAL:
  - PARTS MUST BE IN COMPLIANCE TO MOLEX CHEMICAL SUBSTANCES FOR PRODUCTS AND PACKAGING SPECIFICATION: 2014040016
  - DATA MUST BE SUBMITTED UNDER THE MOLEX PART NUMBER TO IMDS (COMPANY ID#13255)
  - 1.5 PCB PRESS-FIT (COMPLIANT PIN) PER SD-31503-012 REV A
  - PCB INTENDED TO BE FR4 0.062" (1.6mm) THICK
- DESIGN - MATERIALS:
  - HOUSING: PBT 30%GF.
  - TERMINAL:
    - SOLDER VERSION: COPPER ALLOY.
    - COMPLIANT VERSION: COPPER ALLOY.
- DESIGN - GEOMETRY:
  - THIS IS A 100% CAD GENERATED PART. THE CAD MATHEMATICAL DATA IS THE MASTER FOR THIS PART. FOR DIMENSIONAL OR ANY INFORMATION NOT SHOWN ON THIS DRAWING, ANALYZE THE CAD MODEL.
  - PRODUCT DESIGN MODEL NUMBER(S): SEE BOM TABLE
  - GEOMETRIC DIMENSIONS AND TOLERANCES PER ASME Y14.5M - 1994
  - EDGES AND UNDIMENSIONED DETAILS PER ISO13715
  - CORNERS SHOWN AS SHARP TO BE R 0.2 MAX.
  - LETTERING SHALL BE 0.15 MAX RAISED. THIS INCLUDES RECYCLING CODE, CAVITY ID, MANUFACTURING LOCATION, AND MOLEX MATERIAL NUMBER.
- TRUE POSITIONS OF THE EONS AND SOLDERTAIL TO BE VERIFIED WITH A FUNCTIONAL GO/NO GO GAUGE.
- ALL DIMENSIONS APPLY TO THE PART AS SHIPPED FROM MOLEX. FINAL POSITIONING IS ACHIEVED WITH PCB APPLICATION TOOLING. REFERENCE AS-34829-001.
- LASER MARKING TO BE MARKED WITH:
  - HUMAN READABLE CODE (HRC)
  - PERMANENTLY APPLIED ON THE PART WITH 1.5mm LETTER SIZE
  - INFORMATION TO BE PRINTED
  - 9 DIGIT MOLEX MATERIAL NUMBER
  - 5 DIGIT JULIAN MANUFACTURING DATE STAMP DDDYY
- TRUE POSITION OF THE MATE SIDE CONNECTOR TO BE VERIFIED WITH A GO/NO-GO FUNCTIONAL GAGE
- ALL DIMENSION WITH OUT BALLOONS ARE NOT MEASURED. SURROGATE DATA FROM THE COMPONENT PRINT WILL BE USED TO MEET DIMENSIONAL REQUIREMENTS.
- EON (COMPLIANT PIN) DESIGN REQUIRES AN ASSEMBLY FIXTURE FOR INSTALLATION.

LASER MARKING TO BE SHOWN  
IN THIS LOCATION  
SEE NOTE 6



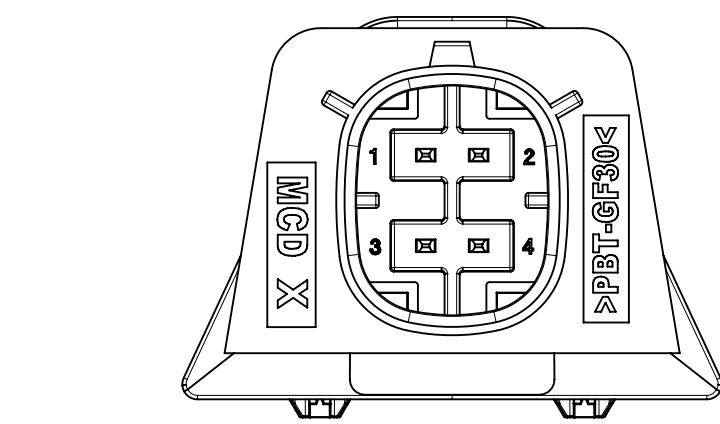
EON DESIGN



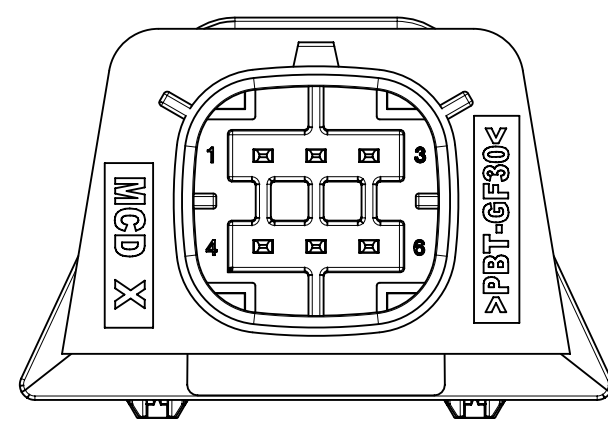
SOLDERTAIL DESIGN

THIS DRAWING CONTAINS INFORMATION THAT IS PROPRIETARY TO MOLEX ELECTRONIC TECHNOLOGIES, LLC AND SHOULD NOT BE USED WITHOUT WRITTEN PERMISSION

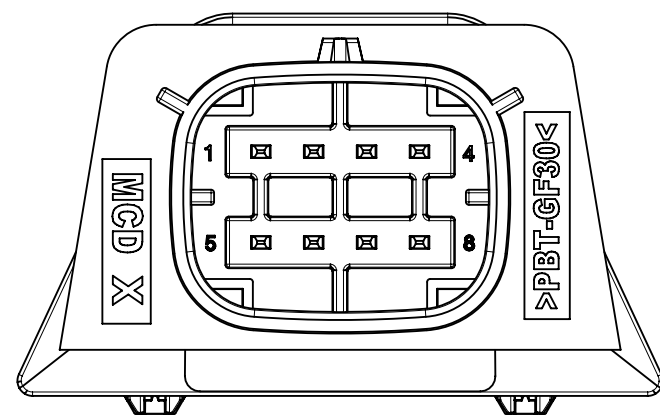
DIMENSION UNITS	SCALE	CURRENT REV DESC: ADDED 2 COLOR CODES AND 4 PNs WITH GOLD PLATING AT CONTACT AREA FOR 2'4 HEADER				
mm	2:1	EC NO: CO-000001796	22-Nov-2022			
GENERAL TOLERANCES (UNLESS SPECIFIED)		DRWN: Yu Chao Fu	06-Dec-2022	DOCUMENT NUMBER: SD-34829-001 DOC TYPE: PSD DOC PART: 001 REVISION: A5		
ANGULAR TOL ± 3°		CHK'D: Elvis Song	16-Dec-2022			
4 PLACES	± 0	APPR: Colin Zhang		DRAFT WHERE APPLICABLE MUST REMAIN WITHIN DIMENSIONS		
3 PLACES	± 0	INITIAL REVISION:				
2 PLACES	± 0.13	DRWN: RFC_PLMIMP		DRAWING: D-SIZE SERIES: 34829		
1 PLACE	± 0.25	APPR:				
0 PLACES	± 0			DRAWING: D-SIZE SERIES: 34829		



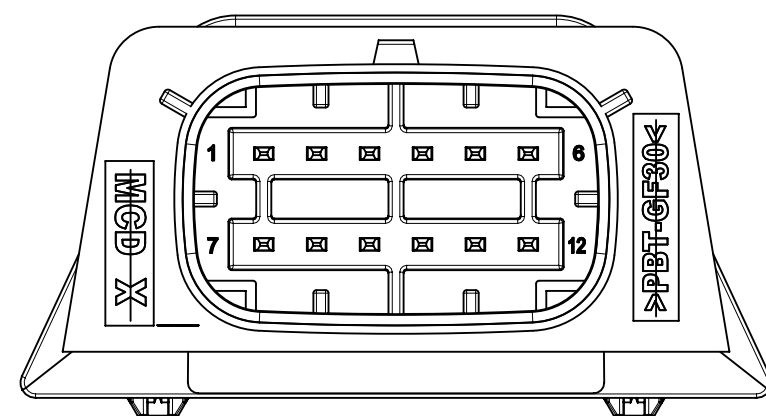
34829-04XX  
34830-04XX



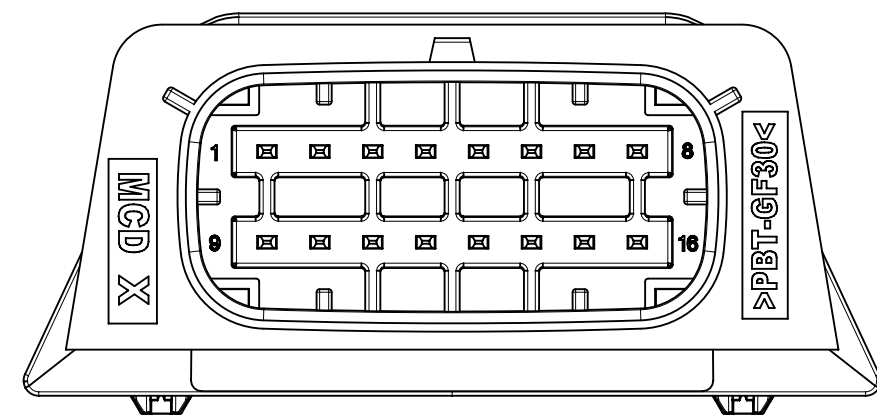
34829-06XX  
34830-06XX



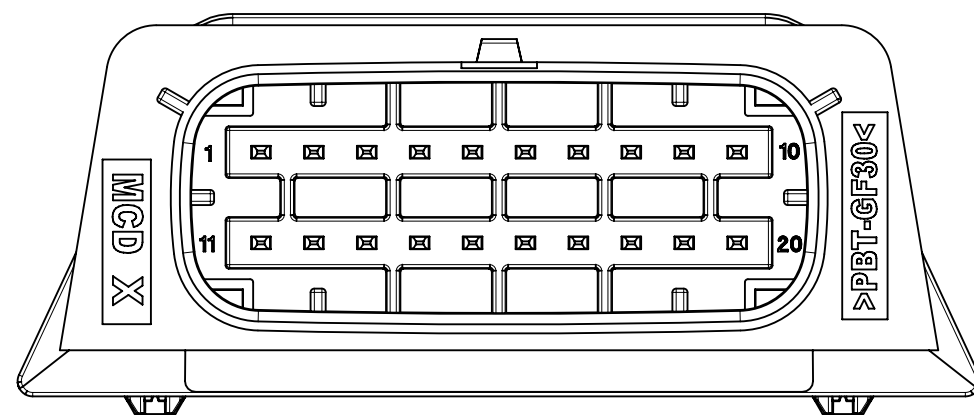
34829-08XX  
34830-08XX



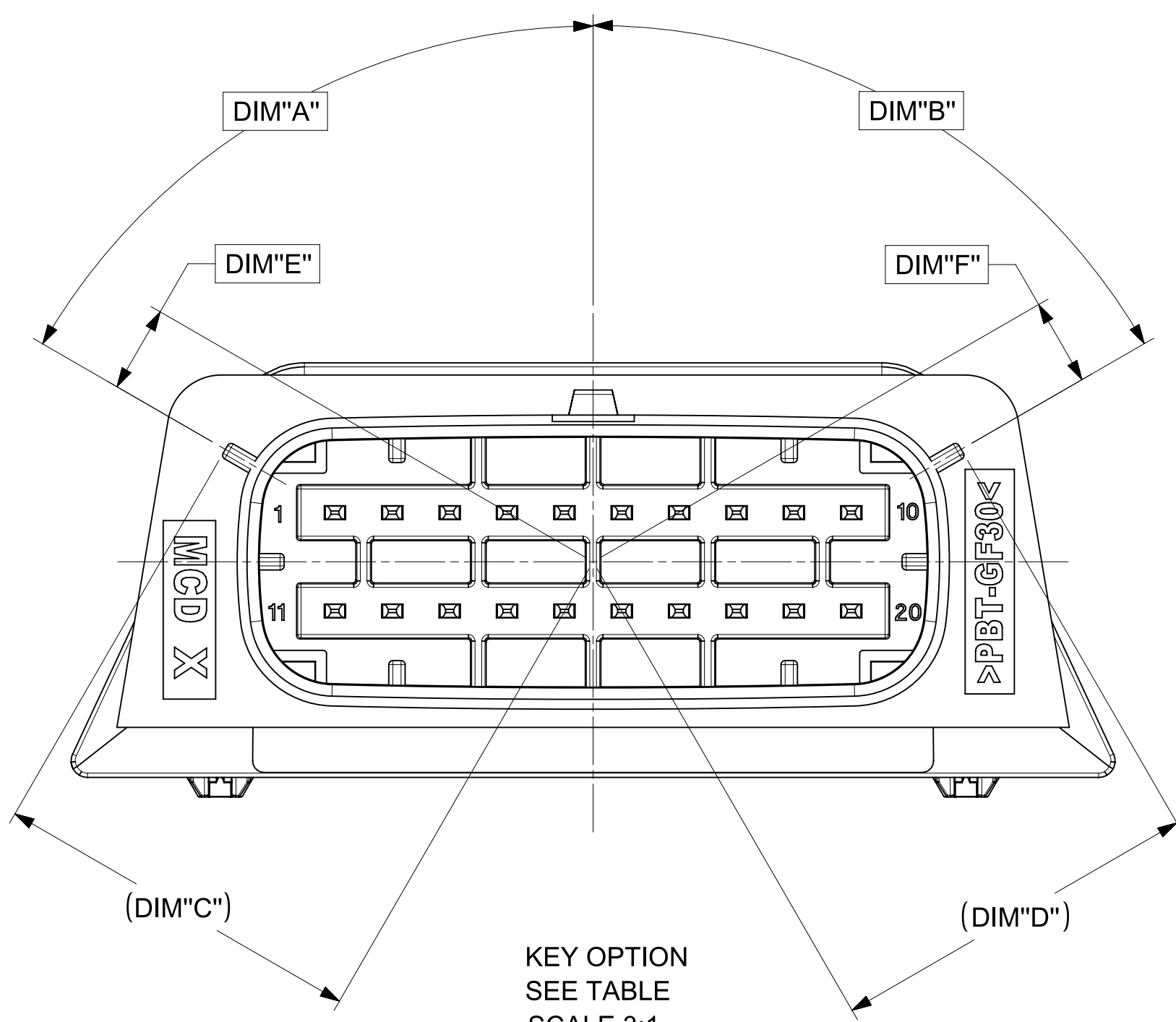
34829-12XX  
34830-12XX



34829-16XX  
34830-16XX



34829-20XX  
34830-20XX



MATERIAL NUMBER			DESCRIPTION	KEY CODING	COLOR	DIMENSION										STATUS								
EON	SOLDERTAIL	A5 CONTACT AREA PLATING TYPE				A	B	C	D	E	F	G	H	J	K	L	EON	SOLDERTAIL						
348290401	348300401	Sn	2x2 WAY HEADER	A	BLACK	60°	60°	10.75	10.75	1.73	1.73	4.53	13.24	36.83	13.54	17.50	OBSOLETE	DESIGN CONCEPT						
348290402	348300402			B	LT GRAY	40°	60°	11.16	10.75	0.57	1.73													
348290403	348300403			C	DK GRAY	60°	40°	10.75	11.16	1.73	0.57													
348290404	348300404			D	BLACK	40°	40°	11.16	11.16	0.57	0.57													
348290601	348300601	Sn	2x3 WAY HEADER	A	BLACK	60°	60°	12.27	12.27	0.86	0.86	8.03	16.74	40.33	17.04	21.00	OBSOLETE	DESIGN CONCEPT						
348290602	348300602			B	LT GRAY	25°	60°	11.93	12.27	1.94	0.86													
348290603	348300603			C	DK GRAY	60°	25°	12.27	11.93	0.86	1.94													
348290604	348300604			D	BLACK	25°	25°	11.93	11.93	1.94	1.94													
348290801	348300801	Sn	2x4 WAY HEADER	A	BLACK	60°	60°	13.78	13.78	0.02	0.02	11.53	20.24	43.83	20.54	24.50	OBSOLETE	SALEABLE						
348290802	348300802			B	LT GRAY	25°	60°	12.67	13.78	3.53	0.02							NOT RECOMMENDED SEE 348300805						
348290803	348300803			C	DK GRAY	60°	25°	13.78	12.67	0.02	3.53							SALEABLE						
348290804	348300804			D	BLACK	25°	25°	12.67	12.67	3.53	3.53													
A5	-	348300805	B	LT GRAY-1	25°	60°	12.67	13.78	3.53	0.02														
A5	-	348300806	D	STONE GRAY	25°	25°	12.67	12.67	3.53	3.53														
A5	-	348300851	A	BLACK	60°	60°	13.78	13.78	0.02	0.02														
A5	-	348300852	B	LT GRAY-1	25°	60°	12.67	13.78	3.53	0.02														
A5	-	348300853	C	DK GRAY	60°	25°	13.78	12.67	0.02	3.53														
A5	-	348300854	D	STONE GRAY	25°	25°	12.67	12.67	3.53	3.53														
348291201	348301201	Sn	2x6 WAY HEADER	A	BLACK	60°	60°	16.81	16.81	1.77	1.77	18.53	27.24	50.83	27.54	31.50	OBSOLETE	DESIGN CONCEPT						
348291202	348301202			B	LT GRAY	25°	60°	14.14	16.81	6.70	1.77													
348291203	348301203			C	DK GRAY	60°	25°	16.81	14.14	1.77	6.70													
348291204	348301204			D	BLACK	25°	25°	14.14	14.14	6.70	6.70													
348291601	348301601	Sn	2x8 WAY HEADER	A	BLACK	60°	60°	19.85	19.85	3.52	3.52	25.53	34.24	57.83	34.54	38.50	OBSOLETE	DESIGN CONCEPT						
348291602	348301602			B	LT GRAY	25°	60°	15.62	19.85	9.87	3.52													
348291603	348301603			C	DK GRAY	60°	25°	19.85	15.62	3.52	9.87													
348291604	348301604			D	BLACK	25°	25°	15.62	15.62	9.87	9.87													
348292001	348302001	Sn	2x10 WAY HEADER	A	BLACK	60°	60°	22.88	22.88	5.27	5.27	32.53	41.24	64.83	41.54	45.50	OBSOLETE	SALEABLE						
348292002	348302002			B	LT GRAY	25°	60°	17.10	22.88	13.05	5.27													
348292003	348302003			C	DK GRAY	60°	25°	22.88	17.10	5.27	13.05													
348292004	348302004			D	BLACK	25°	25°	17.10	17.10	13.05	13.05													
-	348302006			B	NATURAL	25°	60°	17.10	22.88	13.05	5.27													
-	348302007			D	LT GARY	25°	25°	17.10	17.10	13.05	13.05													

THIS DRAWING CONTAINS INFORMATION THAT IS PROPRIETARY TO MOLEX ELECTRONIC TECHNOLOGIES, LLC AND SHOULD NOT BE USED WITHOUT WRITTEN PERMISSION

DIMENSION UNITS <b>mm</b>	SCALE <b>2:1</b>	CURRENT REV DESC: ADDED 2 COLOR CODES AND 4 PNs WITH GOLD PLATING AT CONTACT AREA FOR 2'4 HEADER			
GENERAL TOLERANCES (UNLESS SPECIFIED)		EC NO: CO-000001796			
ANGULAR TOL ± 3°	4 PLACES ± 0	DRWN: Yu Chao Fu	22-Nov-2022		
3 PLACES ± 0	2 PLACES ± 0.13	CHK'D: Elvis Song	06-Dec-2022		
1 PLACE ± 0.25	0 PLACES ± 0	APPR: Colin Zhang	16-Dec-2022		
DRAFT WHERE APPLICABLE MUST REMAIN WITHIN DIMENSIONS		INITIAL REVISION: DRWN: RFC_PLMIMP APPR:	PRODUCT SALES DRAWING		
THIRD ANGLE PROJECTION	DRAWING	SERIES	MATERIAL NUMBER	CUSTOMER	SHEET NUMBER
	<b>D-SIZE</b>	<b>34829</b>	SEE TABLE	GENERAL MARKET	<b>2 OF 3</b>
DOCUMENT NUMBER			DOC TYPE	DOC PART	REVISION
<b>SD-34829-001</b>			<b>PSD</b>	<b>001</b>	<b>A5</b>

