

# V2201 Series

*Fanless, ultra-compact x86 IIoT embedded computer and gateway*



- > Intel Atom E3800 series processor with three performance options
- > Dual mini-PCIe sockets for wireless modules\*, supports W-iFi, 3G, LTE, GPS, and Bluetooth
- > -40 to 85°C system operating temperature (-40 to 70°C with LTE module\* installed)
- > Variety of interfaces: 2 serial ports, 2 Ethernet LAN port, 4 DIs, 4 DOs, SD, USB, HDMI, wireless
- > EN 61000-6-2 and EN 61000-6-4 certification\*\*; meets EMC standard for heavy industry
- > Up to 5 Grms anti-vibration and 100 g/11 ms anti-shock
- > Ready-to-run Debian 8 and Windows Embedded Standard 7 platforms
- > Moxa Proactive Monitoring utility for system hardware health monitoring
- > Moxa Smart Recovery utility to recover system from boot failure (W7E only)

\*Wireless modules must be purchased separately.

\*\*Passed with AC/DC adapter.



## Overview

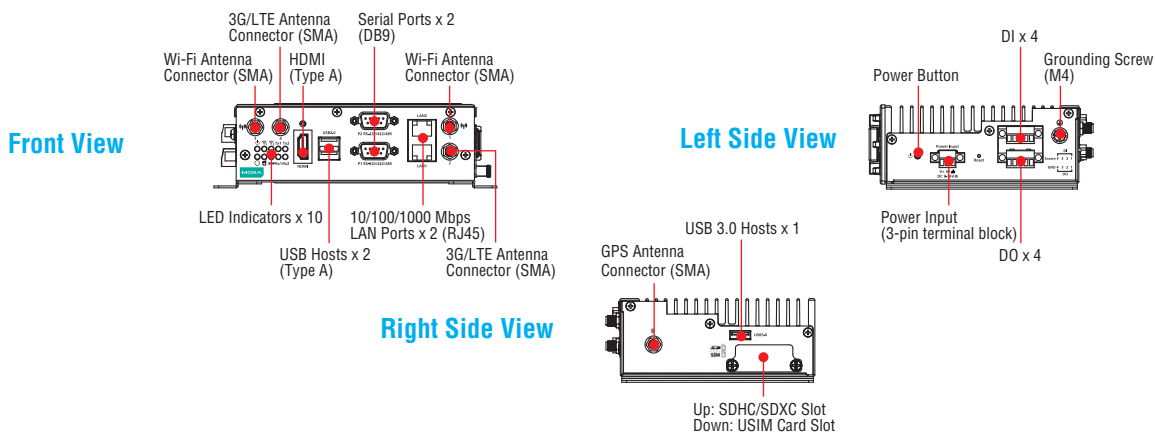
The Moxa V2201 series ultra-compact x86 embedded computer is based on the Intel® Atom™ E3800 series processor, features the most reliable I/O design to maximize connectivity, and supports dual wireless modules\*, making it suitable for a diverse range of communication applications. The computer's thermal design ensures reliable system operation in temperatures ranging from -40 to 85°C (-40 to 70°C with a special purpose Moxa wireless module\* installed). The V2201 series supports “Moxa Hardware Monitoring” for device I/O status monitoring and alerts, system temperature monitoring and alerts, and system power management. Monitoring system status closely makes it easier to recover from errors and provides the most reliable platform for your applications.

\*Wireless modules must be purchased separately.

## Applications:

- Remote Terminal Unit (RTU)
- Data acquisition
- M2M communication (smart gateway)
- Digital signage
- Factory automation
- In-vehicle monitor/data logger (transportation)
- Programmable router
- Energy usage optimization
- Predictive maintenance
- Asset management

## Appearance



## Hardware Specifications

### Computer

#### CPU:

V2201-E1 Series: Intel® Atom™ Processor E3815 (Single Core, 512K Cache, 1.46 GHz)

V2201-E2 Series: Intel® Atom™ Processor E3826 (Dual Core, 1M Cache, 1.46 GHz)

V2201-E4 Series: Intel® Atom™ Processor E3845 (Quad Core, 2M Cache, 1.91 GHz)

**OS:** Windows Embedded Standard 7 64-bit or Linux Debian 8 64-bit

**System Memory:** 1 DDR3 SO-DIMM slot, 8 GB max.

- E3815 and E3826 support DDR3L-1066

- E3845 supports DDR3L-1333

**USB:** 1 bootable USB 3.0 port, 2 bootable USB 2.0 ports (type A)

#### Storage

**mSATA:** 1 internal mini-PCIe socket for OS storage

**SD:** 1 SD 3.0 (SDHC/SDXC) socket for storage expansion\*

\*W7E only supports SD 2.0

#### Audio

**Output:** Line-out interface (together with HDMI)

#### Other Peripherals

**Expansion Slot:** 2 Mini-PCIe sockets

- 1 USB signal, for Sierra Wireless 3G/LTE module

- 1 USB + PCIe signal

**USIM:** 1 USIM slot

#### Display

**Graphics Controller:** Intel® HD (integrated)

**Connector Type:** 1 HDMI connector (type A)

**Display Interface:** Supports HDMI 1.4a, 1920 x 1080 pixels @ 60/24 Hz

#### Ethernet Interface

**LAN:** Auto-sensing 10/100/1000 Mbps ports (RJ45) x 2

**Isolation Protection:** 1.5 kV

#### Wireless SMA Interface

**Wi-Fi:** 2 SMA connectors

**3G/LTE:** 2 SMA connectors

**GPS:** 1 SMA connector

#### Serial Interface

**Serial Standards:** RS-232/422/485 software selectable ports (DB9 male) x 2

#### Serial Communication Parameters

**Data Bits:** 5, 6, 7, 8

**Stop Bits:** 1, 1.5, 2

**Parity:** None, Even, Odd, Space, Mark

**Flow Control:** RTS/CTS, XON/XOFF

**Baudrate:** 50 bps to 115.2 kbps

#### Serial Signals

**RS-232:** TxD, RxD, DTR, DSR, RTS, CTS, DCD, GND

**RS-422:** TxD+, TxD-, RxD+, RxD-, GND

**RS-485-4w:** TxD+, TxD-, RxD+, RxD-, GND

**RS-485-2w:** Data+, Data-, GND

#### Digital Input

**Input Channels:** DI x 4

**Input Voltage:** 0 to 30 VDC at 25 Hz

**Digital Input Levels for Dry Contacts:**

Logic level 0: Close to GND

Logic level 1: Open

**Digital Input Levels for Wet Contacts:**

Logic level 1: +3 V max.

Logic level 0: +10 V to +30 V (Source to DI)

**Connector Type:** 10-pin screw-fastened Euroblock terminal

**Isolation:** 3 kV optical isolation

### Digital Output

**Output Channels:** DO x 4, sink type

**Output Current:** Max. 200 mA per channel

**On-State Voltage:** 24 VDC nominal, open collector to 30 VDC

**Connector Type:** 10-pin screw-fastened Euroblock terminal

**Isolation:** 3 kV optical isolation

#### LEDs

**System:** Power, user-defined

**Storage:** mSATA, SD

**LAN:** 2 LEDs per port (100/1000 Mbps)

**Serial:** 2 LEDs per port (Tx and Rx)

**Wireless:** Mini-PCIe 1, Mini-PCIe 2

#### Switches and Buttons

**Power Switch:** on/off (left-side panel)

**Reset Button:** For warm reboot (left-side panel)

#### Physical Characteristics

**Housing:** Aluminum

**Weight:** 940 g (2.09 lb)

**Dimensions:**

Without ears: 150 x 48.8 x 120.2 mm (5.91 x 1.92 x 4.73 in)

With ears: 178 x 52.5 x 120.2 mm (7.01 x 2.07 x 4.73 in)

**Mounting:** DIN rail, wall

#### Environmental Limits

**Operating Temperature:**

- E1/E2 models: -40 to 85°C (-40 to 185°F)

- E4 models: -40 to 70°C (-40 to 158°F)

- E1-W/E2-W/E4-W models with Moxa recommended wireless modules (3G/LTE + Wi-Fi)\* installed: -40 to 70°C (-40 to 158°F)

\*Wireless modules must be purchased separately.

**Storage Temperature:** -40 to 85°C (-40 to 185°F)

**Ambient Relative Humidity:** 5 to 95% (non-condensing)

**Anti-Vibration:** IEC 60068-2-64: 5 Grms, 5 Hz to 500 Hz, 1 hr/axis w/ mSATA, SD

**Anti-Shock:** IEC 60068-2-27: 100 g/11 ms ±X, ±Y, ±Z, 3 shocks each axis w/ mSATA, SD

#### Power Requirements

**Input Voltage:** 9 to 36 VDC (3-pin terminal block for V+, V-, SG)

**Input Current:** 2 A @ 9 VDC

**Power Consumption:** 18 W

#### Standards and Certifications

**Safety:** UL 60950-1, CSA C22.2 No. 60950-1-03 (60950-1-07), EN 60950-1, UL 508

**EMC:** EN 55032/24, EN 61000-6-2/6-4\*

\*Passed with AC/DC adapter.

**EMI:** CISPR 32, FCC Part 15B Class A

**EMS:**

IEC 61000-4-2 ESD: Contact: 6 kV; Air: 8 kV

IEC 61000-4-3 RS: 80 MHz to 1 GHz: 20 V/m

IEC 61000-4-4 EFT: Power: 2 kV; Signal: 2 kV

IEC 61000-4-5 Surge: Power: 2 kV; Signal: 1 kV

IEC 61000-4-6 CS: 10 V

IEC 61000-4-8

**Green Product:** RoHS, CRoHS, WEEE

#### Reliability

**Automatic Reboot Trigger:** Software-programmable watchdog timer configurable from 1 to 255 seconds

**MTBF** (mean time between failures)

**Time:** 408,275 hrs

**Standard:** Telcordia (Bellcore) Standard TR/SR

#### Warranty

**Warranty Period:** 3 years

**Details:** See [www.moxa.com/warranty](http://www.moxa.com/warranty)

Note: These hardware specifications describe the embedded computer unit itself, but not its official accessories. In particular, the wide temperature specification does not apply to accessories such as power adapters and cables.

## Software Specifications

### Linux

**OS:** Linux Debian 8 64-bit

**Terminal Server (SSH):** Provides secure encrypted communications between two untrusted hosts over an unsecure network

**File System:** EXT2, EXT3, EXT4

**Internet Protocol Suite:** TCP, UDP, IPv4, IPv6, SNMPv2, ICMP, ARP, HTTP, CHAP, PAP, DHCP, NTP, NFS, SSH, PPP, SFTP, RSYNC, SSL

**Internet Security:** OpenVPN, IPTables

**Secure Shell for Remote Access:** SSH allows remote logins to a secure encrypted console from any connected network

**Watchdog:** Features a hardware function to trigger system reset in a user specified time interval (Linux standard API)

**Embedded Self-Health Maintenance Software:** Moxa Proactive Monitoring

### Windows Embedded Standard 7

#### Core OS:

- 64-bit support
- Remote Client
- Remote Procedure Call

#### Applications and Services Development:

- Remote Desktop Protocol 7.1
- COM OLE Application Support
- COM+ Application Support
- MSMQ

#### Internet Services:

- Internet Explorer 8.0
- IIS 7.0

#### Diagnostics:

- Common Diagnostic Tools
- Problem Reports and Solutions

**Fonts:** Western, Middle Eastern, South East Asian, and South Asian

#### Graphics and Multimedia:

- MPEG Layer-3 Audio Codecs (MP3)
- MPEG4 Decoders
- DirectX and Windows Device Experience

#### Management:

- Group Policy Management
- Windows Management Instrument (WMI)
- Windows Update

#### Networking:

- Extensible Authentication Protocol (EAP)
- Internet Authentication Service
- Telnet Server
- Bluetooth
- Domain Services
- Network Access Protection
- Network and Sharing Center
- Quality of Service
- Remote Access Service (RAS)
- Telephony API Client
- Windows Firewall
- Wireless Networking

#### Security:

- Credential Roaming Service
- Credentials and Certificate Management
- Windows Authorization Manager (AZMAN)
- Windows Security Center
- Active Directory Rights Management
- Security Base
- Encrypted File System (EFS)

#### Embedded Features:

- Enhanced Write Filter (EWF)
- File-Based Write Filter (FBWF)
- Registry Filter
- WSDAPI for .NET

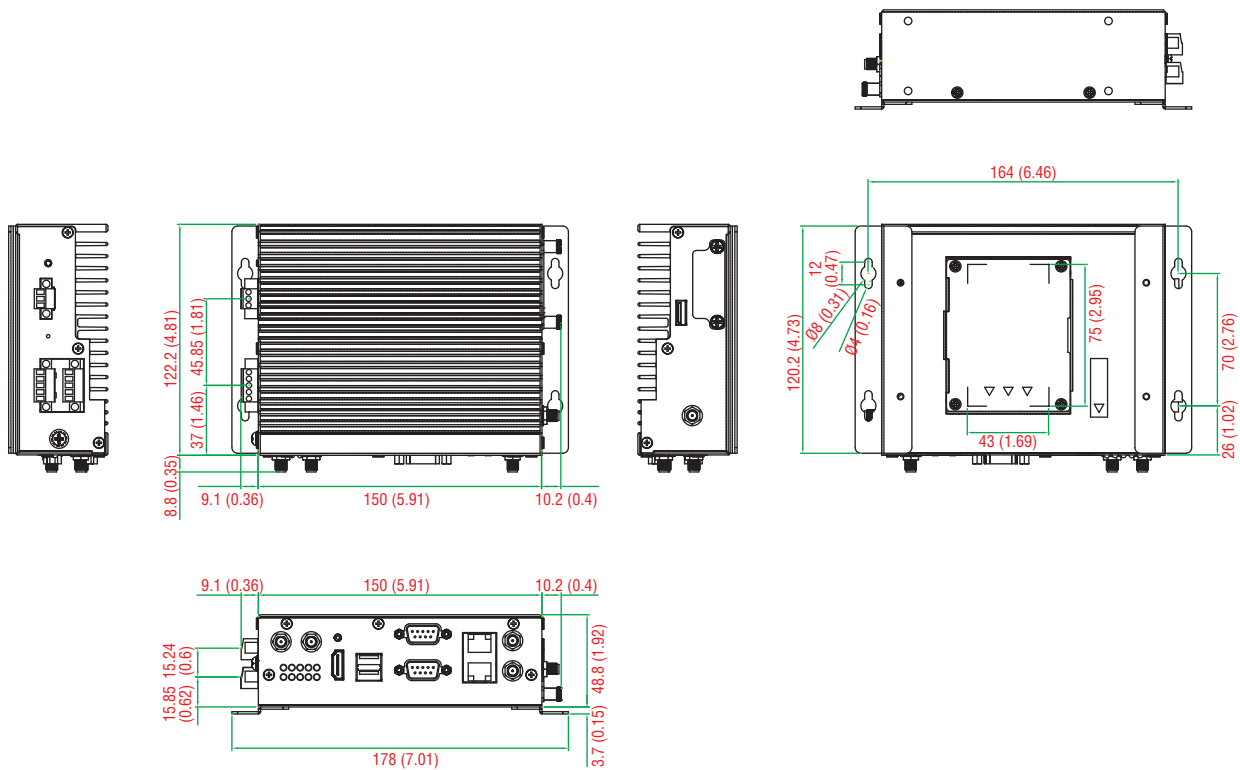
#### File Systems and Data Store:

- Windows Data Access Components
- Windows Backup and Restore

**Maintenance:** Moxa Proactive Monitoring and Moxa Smart Recovery

## Dimensions

Unit: mm (inch)



## Ordering Information

### Pre-Configured Models

Model Name	Required for the system to work				Pre-Configured Models											
	CPU	RAM	mSATA	OS	SD	HDMI	LAN	Serial	DI/O	USB 3.0/2.0	USIM slot	Expansion Socket	Wireless Connector	LTE Heat Sink	Operating Temp.	LTE Operating Temp.
V2201-E1-T-LX	E3815	2 GB	8 GB	Debian 8	–	1	2	2	4/4	1/2	1	2	–	–	-40 to 85°C	–
V2201-E1-T-W7E	E3815	4 GB	8 GB	W7E	–	1	2	2	4/4	1/2	1	2	–	–	-40 to 85°C	–
V2201-E4-W-T-LX	E3845	4 GB	32 GB	Debian 8	16 GB	1	2	2	4/4	1/2	1	2	5	1	-40 to 70°C	-40 to 70°C

### CTO Models

Model Name	Required for the system to work				CTO Models											
	CPU	RAM (CTO*)	mSATA (CTO*)	OS (CTO*)	SD (CTO*)	HDMI	LAN	Serial	DI/O	USB 3.0/2.0	USIM slot	Expansion Socket	Wireless Connector	LTE Heat Sink	Operating Temp.	LTE Operating Temp.
V2201-E1-T	E3815	Default 4 GB	Default 8 GB	Default N/A	Default N/A	1	2	2	4/4	1/2	1	2	–	–	-40 to 85°C	–
V2201-E2-T	E3826	4 GB	8 GB	N/A	(8, 16, 32, or 64 GB optional)	1	2	2	4/4	1/2	1	2	–	–	-40 to 85°C	–
V2201-E4-T	E3845	(2 or 8 GB optional)	(16 or 32 GB optional)	(Debian 8 or W7E optional)	(8, 16, 32, or 64 GB optional)	1	2	2	4/4	1/2	1	2	–	–	-40 to 70°C	–
V2201-E1-W-T	E3815	4 GB	8 GB	N/A	(8, 16, 32, or 64 GB optional)	1	2	2	4/4	1/2	1	2	5	1	-40 to 85°C	-40 to 70°C
V2201-E2-W-T	E3826	4 GB	8 GB	N/A	(8, 16, 32, or 64 GB optional)	1	2	2	4/4	1/2	1	2	5	1	-40 to 85°C	-40 to 70°C
V2201-E4-W-T	E3845	4 GB	32 GB	Debian 8	16 GB	1	2	2	4/4	1/2	1	2	5	1	-40 to 70°C	-40 to 70°C

\*CTO = Configured To Order



Note:

Refer to the Component Compatibility Guide (CCG) for the list of components that Moxa has validated to be compatible with this product. You can download the CCG from the Moxa product website. For components with a Moxa P/N, you can order the components together with your product from Moxa and we will install the selected components in your product. Moxa guarantees the compatibility of the components installed in CTO products.

### Package Checklist









- V2201 embedded computer
- Terminal block to power jack converter
- E1 Models: Wall-mounting kit
- D4 Model: DIN-rail mounting kit
- Documentation and software CD or DVD
- Quick installation guide (printed)
- Warranty card

**Optional Accessories (can be purchased separately)**

Type	Model Name	Description
<b>Power</b>		
	Adapter PWR-24270-DT-S1	Power adapter, input voltage 90 to 264 VAC, output voltage of 24 V with 2.5 A DC load
	Power Cord PWC-C7US-2B-183	Power cord with 2-pin connector, USA plug
	Power Cord PWC-C7EU-2B-183	Power cord with 2-pin connector, Euro plug
	Power Cord PWC-C7UK-2B-183	Power cord with 2-pin connector, British plug
	Power Cord PWC-C7AU-2B-183	Power cord with 2-pin connector, Australia plug
	Power Cord PWC-C7CN-2B-183	Power cord with 2-pin connector, China plug
<b>Mounting Kit</b>		
	DIN-Rail Mounting Kit DK-DC50131	DIN-rail mounting kit x 1, screws x 6

## Wireless Accessory Packages

Note: The following packages can be purchased separately without the computer

Type		Model Name	Description
<b>Wi-Fi</b>			
	Mini-PCIe Card	V2201 Wi-Fi mini Card	SparkLAN WPEA-252NI Wi-Fi mini cards x 1, black screws x 4
	External Antenna	ANT-WDB-ARM-02	Wi-Fi external antenna with SMA connectors x 1
<b>3G</b>			
	External Antenna	ANT-WCDMA-ASM-1.5	3G external antenna with SMA connectors x 1
<b>LTE</b>			
	Mini-PCIe Card	V2201 LTE-US mini card	Sierra Wireless MC7354 LTE mini cards x 1, black screws x 4
	Mini-PCIe Card	V2201 LTE-EU mini card	Sierra Wireless MC7304 LTE mini cards x 1, black screws x 4
	LTE-US External Antenna	ANT-LTEUS-ASM-01	LTE-US external antenna with SMA connectors x 1
	LTE-EU External Antenna	ANT-LTE-ASM-02	LTE-EU external antenna with SMA connectors x 1
<b>GPS</b>			
	GPS External Antenna	ANT-GPS-OSM-05-3M	26 dBi, 1572 MHz, L1 band SMA antennas x 1, for the MC7354 and MC7304 only