

Tolerances

- 1-20=+/-0.2
- 20-30=+/-0.3
- 30-40=+/-0.4
- 40-50=+/-0.5
- 50-100=+/-0.75
- 100-300=+/-1.5
- Angles=+/-1

Dimensions are in Millimeters

Revisions
Description/Approved/Date

Approved
M.H.

Date
03/10/99

Checked
M.H.

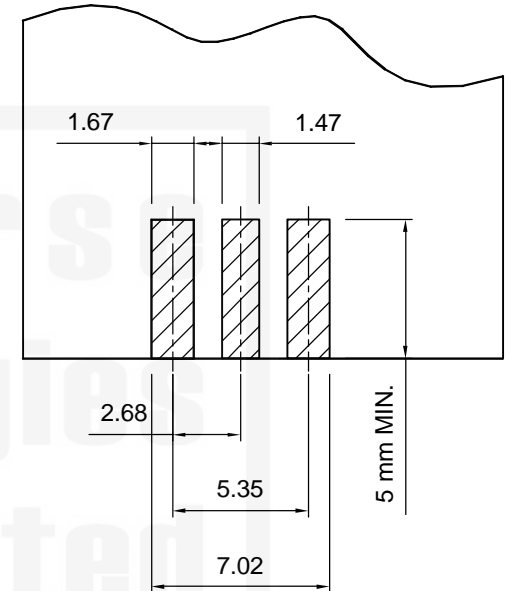
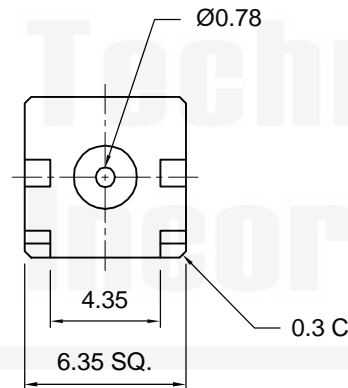
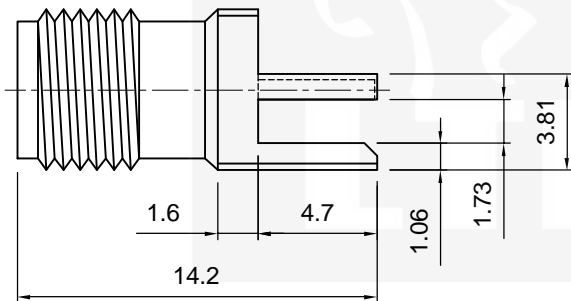
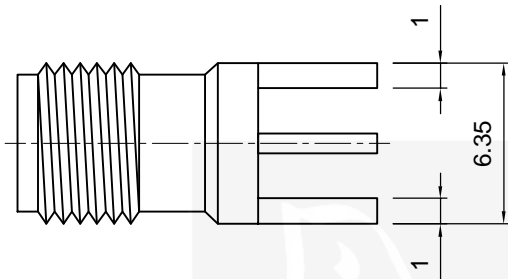
Date
03/10/99

Drawn
K.R.E.

Date
03/10/99

NOTES (plating thickness in micro-inches):

1. Per QQ-B-626	5. Per MIL-P-19468	9. Nickel pl. 100 min. over copper strike
2. Per QQ-S-764	6. Per ZZ-R-765	10. Per QQ-P-35
3. Per QQ-C-530	7. Per WW-T-799	11. Gold pl. 30 min. over nickel pl. 50 min. over copper strike
4. Per QQ-B-750	8. Gold pl. 5 min. over nickel pl. 50 min. over copper strike	



LANDING PAD DIMENSIONS

ITEM	MATERIAL	FINISH
Connector Body	Brass, Note 1	Nickel, Note 9
Center Contact: Female	Beryllium Copper, Note 3	Gold, Note 11
Insulation	Teflon, Note 5	None
Ferrule	--	--
Gasket	--	--
Hex Nut	--	--
Lock Washer	--	--



Lighthouse Technologies, Inc.

4907 Morena Boulevard, #1411
San Diego, California 92117

Part Number:
LTI-SASF55ZNT

Description SMA end launch PCB jack for .062" PCB. Nickel plated		
brass body, teflon dielectric.		
Scale 3:1	Drawing No. SMA/SASF55Z	File Name SASF55ZNT